

DEGSON 是专业工业连接器制造商，能为客户提供定制化的解决方案。
 DEGSON-Global Industrial Connector Manufacturer, Providing Customized Solution To All Partners.



栅栏式接线端子

DEGSON 高松
接线端子

宁波高松电子有限公司
ISO9001 ISO14001 ISO80079-34 ISO/TS22163 IATF16949

DEGSON 高松
圆形连接器

宁波高松电子有限公司
ISO9001 ISO14001 ISO80079-34 ISO/TS22163 IATF16949

DEGSON 高松
重载连接器

宁波高松电子有限公司
ISO9001 ISO14001 ISO80079-34 ISO/TS22163 IATF16949

DEGSON 高松
充电连接器

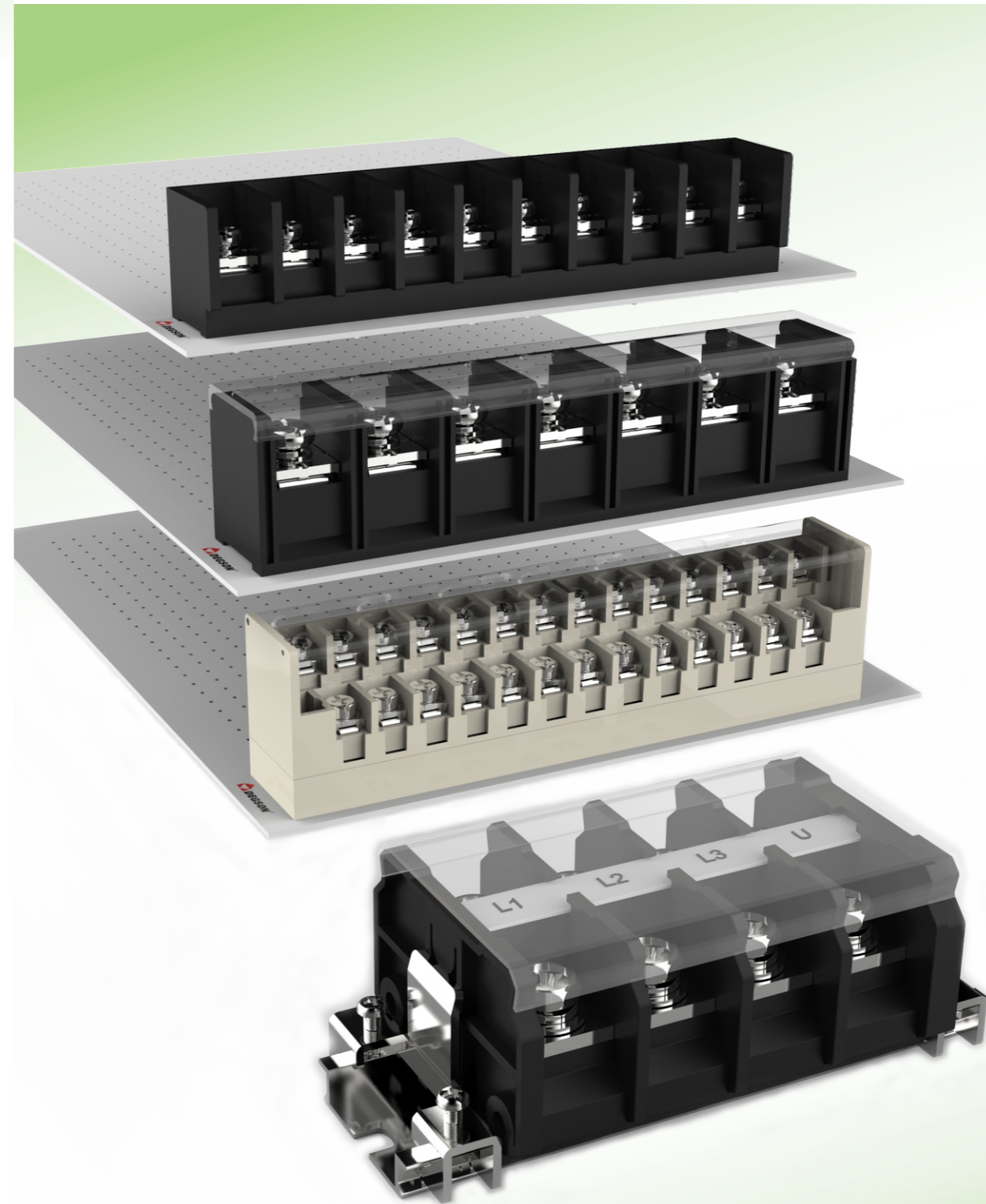
宁波高松技术有限公司
IATF16949

DEGSON 高松
电子产品

宁波高松电子有限公司
ISO9001 ISO14001 ISO80079-34 ISO/TS22163 IATF16949

DEGSON 高松
定制化产品

宁波高松电子有限公司
ISO9001 ISO14001 ISO80079-34 ISO/TS22163 IATF16949



DEGSON 高松
宁波高松电子有限公司
NINGBO DEGSON ELECTRICAL CO., LTD.

地址：中国宁波慈溪市道林大道1585号
邮编：315321

本目录仅供参考，具体信息请以我司规格书为准
 The catalog is only for reference, and the detail data must be based on our company's specification!

网址：www.degson.com
 电话：400-885-2488
 邮箱：info@degson.com



高松官网



微信公众号

BR 22-CEJ01

ISO9001 ISO14001 ISO80079-34 ISO/TS22163 IATF16949





公司简介

DEGSON高松创建于1990年，是全球知名的工业连接器整体解决方案提供商、业内同时拥有美国UL和德国VDE认可专业实验室的企业，公司通过了ISO9001、ISO14001、ISO80079-34、ISO/TS22163和IATF16949管理体系认证，是国家高新技术企业。

DEGSON高松拥有行业领先的模具加工、自动化制造能力，配备先进的检测仪器和专业检测技术，打造高可靠性、高耐用性产品，服务全球用户；同时，我们具有强大的定制化能力，并根据全球客户个性化需求，提供专业的定制化解决方案，为客户提供增值服务。

DEGSON高松产品畅销中国、美国、德国、英国、意大利、西班牙、土耳其、日本、韩国、新加坡等100多个国家和地区，为全球工业自动化、仪器仪表、电力电气、轨道交通、船舶、新能源、电梯、照明、安防、机械等行业，提供高品质产品和服务，获得了众多世界500强和行业龙头企业的认可。

DEGSON高松以“务实创新、责任诚信、和谐发展、规则共赢”的经营理念，不断整合全球专业技术资源，打造强大的研发创新、产品制造和技术应用能力，依托全球布局，提供系列化、多品种、多型号的高品质产品和服务，为全球客户提供专业、快捷的全连接应用解决方案，帮助客户持续创造价值，致力打造智慧互联世界。



Brief Introduction

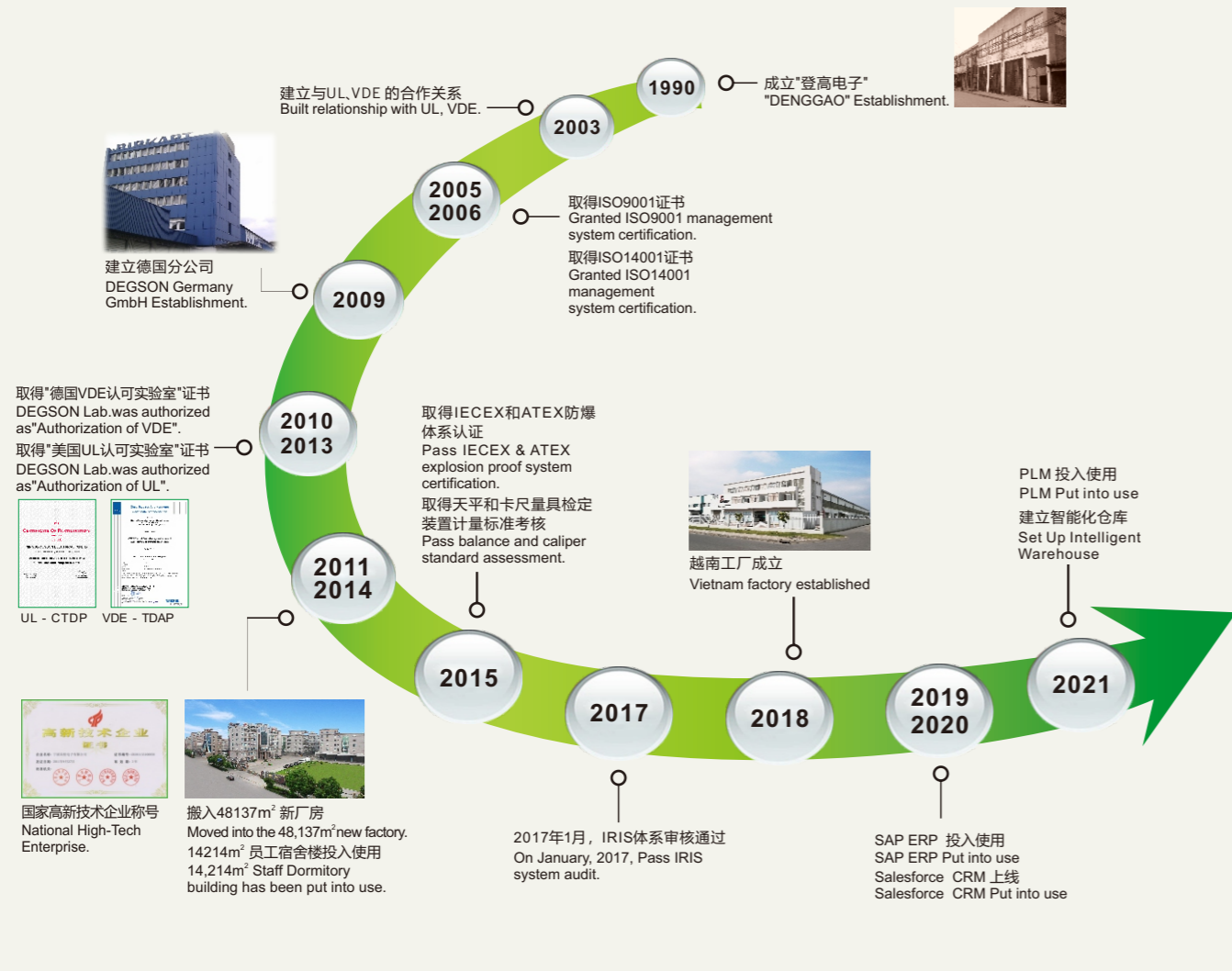
Founded in 1990, DEGSON is a global solution provider of electrical, electronic and industrial connectors. As a National High-tech enterprise, DEGSON owns the UL and VDE certified laboratory. The company achieved ISO9001, ISO14001, ISO80079-34, ISO/TS22163 and IATF16949 management system certifications.

DEGSON is engaged in supplying highly reliable and durable products to serve global customers. The company has a market-leading capability of mould processing, automatic manufacturing and advanced testing. DEGSON has the complete engineering ability to support global customers with the professional customization solution and value-added service.

DEGSON products are widely recognized in China, the USA, Germany, the UK, Italy, Spain, Turkey, Japan, South Korea, Singapore, etc. totally hundred countries and regions. DEGSON supply high quality products and provide professional services globally in the industry sectors likely industrial automation, instrument, electric power, railway, marine and offshore, new energy, elevator, lighting, security, machinery, etc. The company won the recognition from partners among Fortune 500 and industry leading enterprises.

Based on the business philosophy of “pragmatic innovation, responsibility, integrity, harmonious development, regulation and win-win”, DEGSON continuously integrates professional technical resources, R&D innovation, product manufacturing and technology application capabilities. Relying on global sales network, DEGSON aims to supply series of multiple varieties of high-quality products and services. We provide global customers with professional and quick connected application solutions, help customers continue to create value. DEGSON is making contributions to creating a smart and interconnected world.

企业历程
COMPANY HISTORY



销售网络
SALES NETWORK

DEGSON高松产品销往全球100多个国家和地区。
Products have been exported to more than 100 countries and areas in the global.



亚洲首家同时拥有美国UL、德国VDE认可的实验室
First Lab. authorized by UL&VDE in Asia

UL、VDE战略合作 Strategic cooperation with UL and VDE



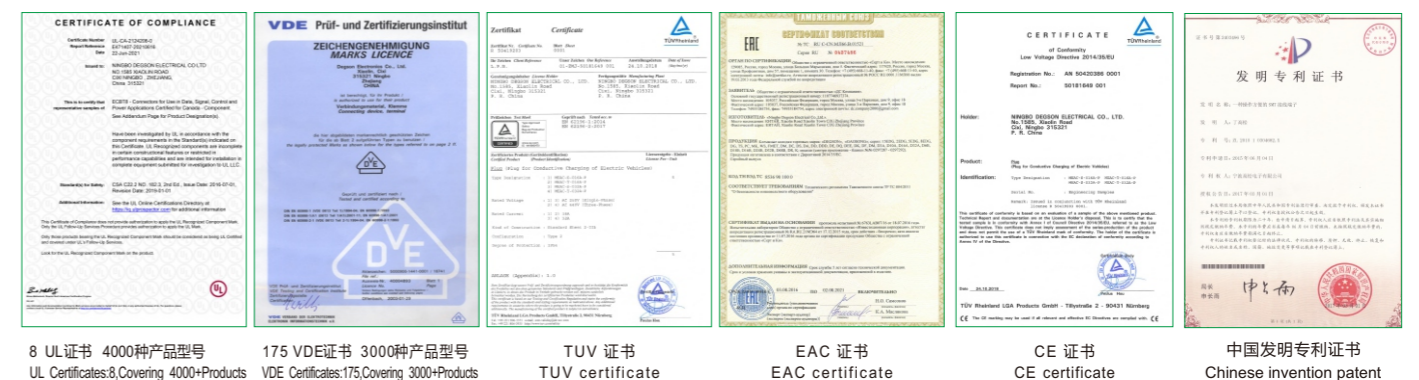
① UL能源与科技全球事业部总经理来访我司
① The general manager of UL global energy & technology division visit our company



② VDE环球服务公司总裁 Sven Ohrke来我司商务洽谈战略合作
② Sven Ohrke, President of VDE global services, comes to DEGSON to discuss strategic cooperation



③ VDE实验室认可: 2010年7月VDE正式向DEGSON颁发了“VDE认可实验室”证书。
UL实验室认可: 2013年3月UL正式向DEGSON颁发“UL WTDP”证书。
2016年4月, UL颁发了CTDP实验室认可证书。
2016年12月, VDE颁发了TDAP实验室认可证书。
2017年1月, IRIS体系审核通过。
③ VDE Laboratory Accreditation: In July 2010, VDE Issued the "VDE Authorized Laboratory" Certificate to DEGSON's laboratory.
UL laboratory accreditation: UL formally issued "UL WTDP" certification to DEGSON in March 2013.
On April, 2016, UL-CTDP.
On December, 2016, VDE-TDAP.
On January, 2017, Pass IRIS system audit.

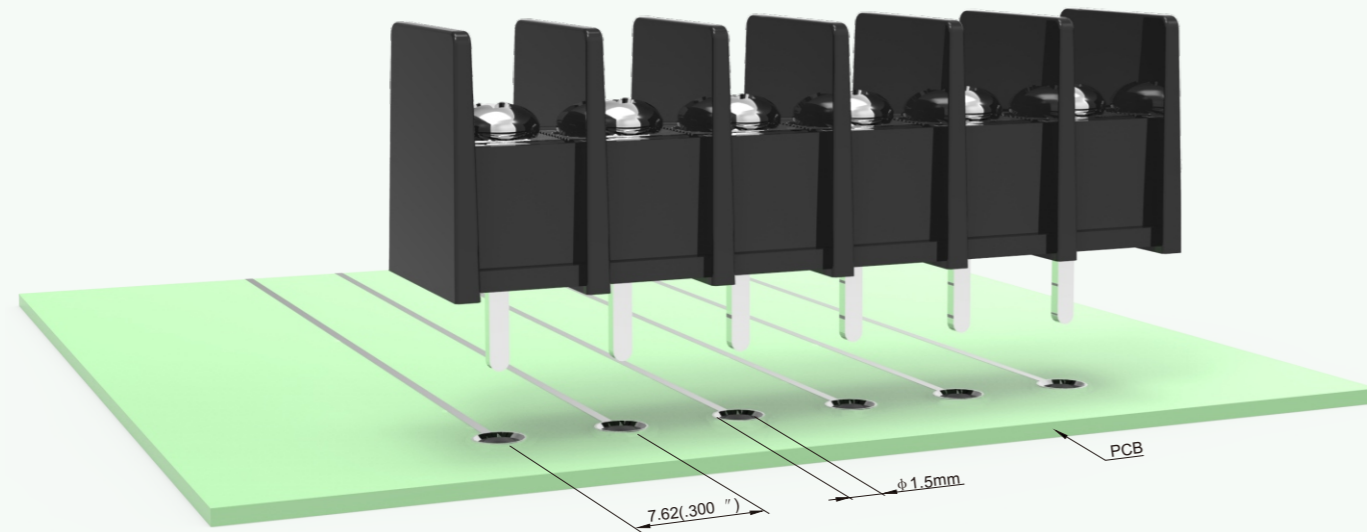


目 录 CONTENTS

Series 型号	UL	Pitch 间距	Page 页码	Series 型号	UL	Pitch 间距	Page 页码
DG25	300V 15A	7.62mm(.300")	01-04	DG24B	300V 14A	7.62mm(.300")	53-54
DG35	300V 20A	8.25mm(.325")	05-08	DG44B	300V 15A	9.52mm(.375")	55-56
DG45	300V 25A	9.50mm(.375")	09-12	DG49	300V 20A	9.50mm(.374")	57
DG55	300V 20A	10.00mm(.394")	13-16	DG69	300V 25A	11.00mm(.433")	58
DG65	300V 20A	11.00mm(.433")	17-20	DG89	300V 30A	14.00mm(.551")	59
DG16	300V 10A	6.35mm(.250")	21-22	DG98	600V 45A	14.28mm(.560")	60
DG26GC	300V 15A	7.62mm(.300")	22	DG99	600V 75A	17.45mm(.687")	61
DG36	300V 20A	8.25mm(.325")	23-24	DG40	600V	—	62
DG46	300V 30A	9.50mm(.374")	25-26	DG88	600V 100A	16.00mm(.629")	63
DG46G	300V 20A	9.50mm(.374")	27-28	DG88RT	600V 100A	16.00mm(.629")	64
DG66	300V 30A	11.11mm(.437")	29-30	DG46-DA/DB	600V 20A	8.80mm(.346")	65
DG28	300V 15A	7.62mm(.300")	31-34	DG66-DA/DB	600V 30A	11.00mm(.437")	66
DG38	300V 15A	8.25mm(.325")	35-38	DG66RT	300V 40A	11.00mm(.437")	67
DG48	300V 20A	9.50mm(.374")	39-42	DG66VT	300V 40A	11.00mm(.433")	68
DG58	300V 20A	10.00mm(.394")	43-46	DG66S-2-B	600V 30A	11.10mm(.437")	69
DG78	600V 40A	13.00mm(.512")	47-50	DG30-A	600V 40A	13.00mm(.512")	70
DG24	300V 15A	7.62mm(.300")	51-52	DG75-A	600V 75A	16.00mm(.630")	71

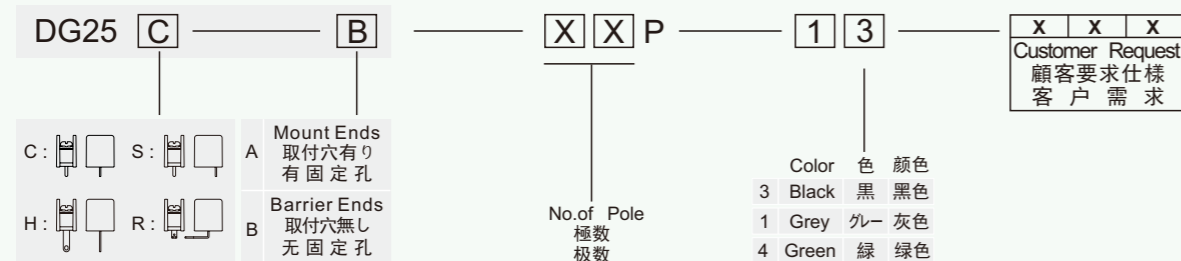
Series 型号	UL	Pitch 间距	Page 页码	Series 型号	UL	Pitch 间距	Page 页码
DG100-A	600V 100A	21.00mm(.827")	72	DGR10	600V 10A	7.30mm(.287")	89
DG31-B	300V 30A	10.00mm(.394")	73	DGR20	600V 20A	9.50mm(.373")	90
DG32-A	600V 120A	28.00mm(1.103")	74	DGR30	600V 30A	11.50mm(.452")	91
DG90-B	600V 90A	—	75	DGR40	600V 60A	14.00mm(.550")	92
DG1450-B	300V 50A	14.50mm(.570")	76	DGR60	600V 80A	19.00mm(.748")	93
DG1450H-B	600V 45A	14.50mm(.570")	77	DGR60-20A	600V 80A	19.00mm(.748")	93
DG1450H-B-10A	600V 45A	14.50mm(.570")	78	DGR100	600V 130A	25.00mm(.984")	94
DG1450H-B-20A	600V 57A	14.50mm(.570")	79	DGR100-20A	600V 130A	25.00mm(.984")	94
DG1450H-B-30A	600V 45A	14.50mm(.570")	80	DGR150	600V 155A	27.00mm(1.06")	95
DG1450H-B-40A	600V 45A	14.50mm(.570")	81	DGR150-20A	600V 155A	27.00mm(1.06")	95
DG1700-B	600V 65A	17.00mm(.668")	82	DGR200	600V 200A	36.00mm(1.41")	96
DG1716-B	600V 80A	17.00mm(.668")	83	DGR200-20A	600V 200A	36.00mm(1.41")	96
DG2000-B	600V 75A	20.00mm(.787")	84	DGR300	600V 300A	45.00mm(1.77")	97
DG2020-B	600V 115A	20.20mm(.795")	85	DGR300-20A	600V 300A	45.00mm(1.77")	97
DG2000H-B	600V 80A	20.00mm(.787")	86	DGR500	600V 500A	60.00mm(2.36")	98
DG2350	600V 120A	23.5mm(.925")	87				
DGB100-A-10A	600V 130A	25.50mm(1.00")	88				

DG25

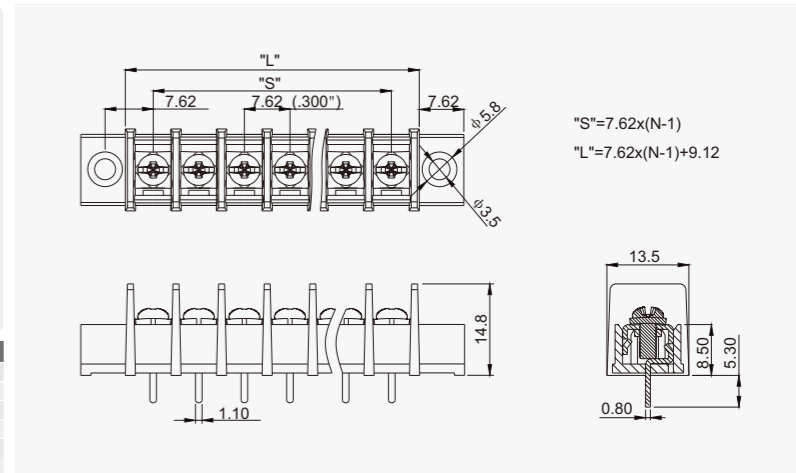
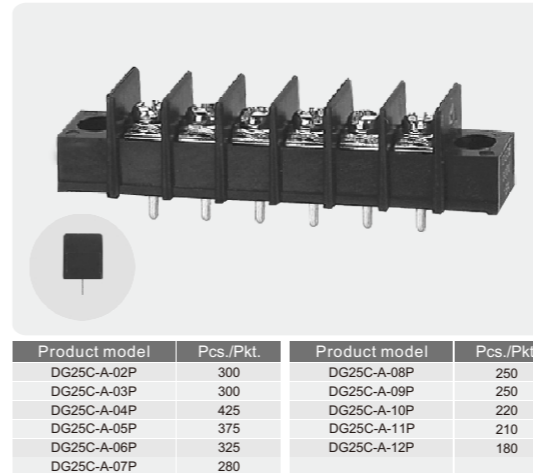


Electrical	電気性能	电气性能	UL1059 & CSA C22.2 NO.158	
Standard	安全規格	参考标准		
Use group	使用レベル	使用级别	B	C
Rated voltage	定格電圧	额定电压	300V	300V
Rated current	定格電流	额定电流	15A	10A
Wire range	電線径	导线线径	22-14AWG	
Ring/Fork terminals	丸型压着端子 先開型压着端子	预绝缘端子	0.2-1.5mm ² /22-16AWG 0.5-2.5mm ² /22-14AWG	
Withstanding voltage	耐電圧	耐电压	AC1600V/1Min	
Insulation Resistance	絶縁阻抗	绝缘阻抗	500MΩ/DC500V	
Mechanical	機械性能	机械性能		
Torque Value	ネジ締めトルク	锁紧扭力	0.5N.m (4.4Lb.In)	
Ambient temperature	環境温度	环境温度	-40°C~+105°C	
Stripping length	電線剥き長	剥线长度	7-8mm	
Dimensions	寸法	尺寸		
Pitch	ピッチ	间距	7.62mm(.300")	
Poles	極数	极数	DG□-A	2P-24P
			DG□-B	2P-26P
Material	材質及びメッキ	材质及电镀	PA66, UL94V-0	
Housing	本体	塑件	Copper alloy, Tin Plated	
Terminal	導電板	端子	銅合金, 錫メッキ	铜合金, 镀锡
Screws	結線ビス	螺丝	Steel, Ni Plated	鋼, ニッケルメッキ
			鋼, ニッケルメッキ	钢, 镀锌
Other Data	他の情報	其他信息		
PCB Hole Diameter	PCB取付穴径	PCB板孔径	φ1.5mm	

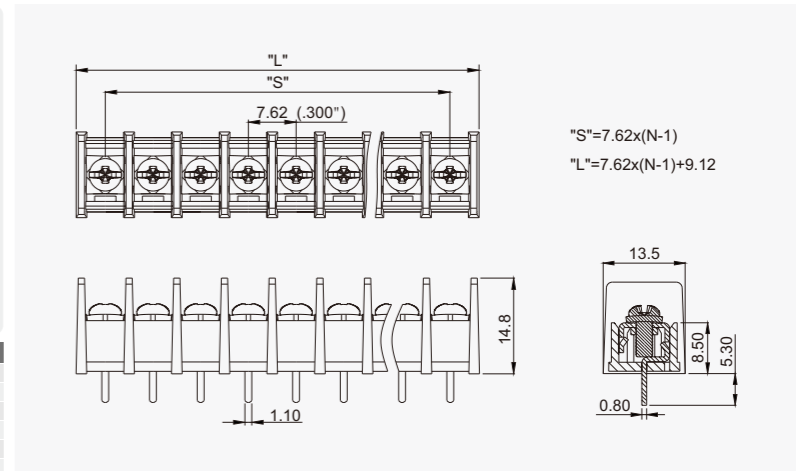
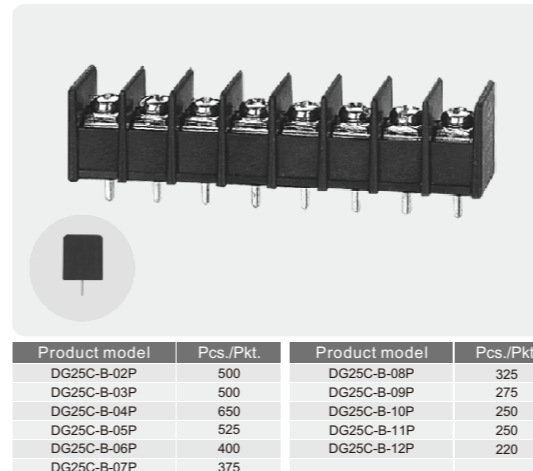
HOW TO ORDER 製品型番 订货方法



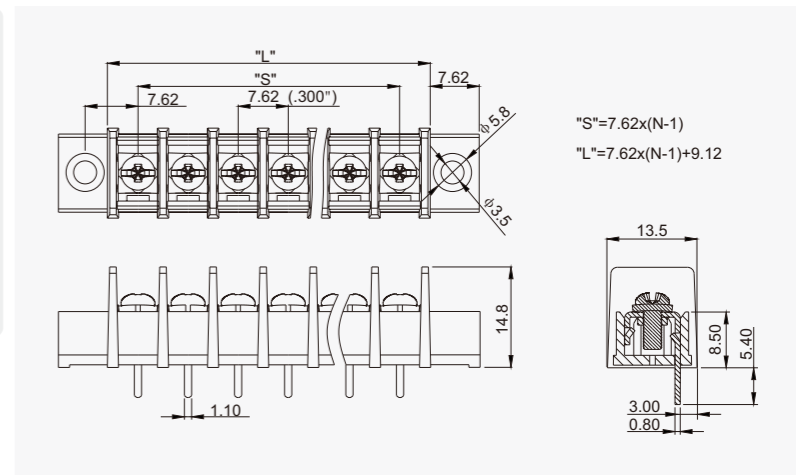
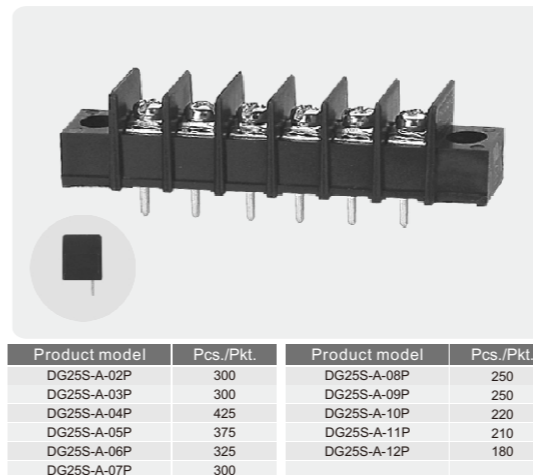
DG25C-A



DG25C-B



DG25S-A



DG25S-B

Product model	Pcs./Pkt.	Product model	Pcs./Pkt.
DG25S-B-02P	500	DG25S-B-08P	325
DG25S-B-03P	500	DG25S-B-09P	275
DG25S-B-04P	650	DG25S-B-10P	250
DG25S-B-05P	525	DG25S-B-11P	250
DG25S-B-06P	400	DG25S-B-12P	220
DG25S-B-07P	375		

$"S" = 7.62 \times (N-1)$
 $"L" = 7.62 \times (N-1) + 9.12$

DG25R-B

Product model	Pcs./Pkt.	Product model	Pcs./Pkt.
DG25R-B-02P	500	DG25R-B-08P	275
DG25R-B-03P	500	DG25R-B-09P	250
DG25R-B-04P	500	DG25R-B-10P	220
DG25R-B-05P	425	DG25R-B-11P	210
DG25R-B-06P	350	DG25R-B-12P	190
DG25R-B-07P	300		

$"S" = 7.62 \times (N-1)$
 $"L" = 7.62 \times (N-1) + 9.12$

DG25H-A

Product model	Pcs./Pkt.	Product model	Pcs./Pkt.
DG25H-A-02P	300	DG25H-A-08P	250
DG25H-A-03P	300	DG25H-A-09P	250
DG25H-A-04P	425	DG25H-A-10P	220
DG25H-A-05P	350	DG25H-A-11P	185
DG25H-A-06P	325	DG25H-A-12P	180
DG25H-A-07P	275		

$"S" = 7.62 \times (N-1)$
 $"L" = 7.62 \times (N-1) + 9.12$

DG25R-A-XXP-1Y-13AH

Product model	Pcs./Pkt.	Product model	Pcs./Pkt.
DG25R-A-02P	300	DG25R-A-08P	250
DG25R-A-03P	300	DG25R-A-09P	250
DG25R-A-04P	425	DG25R-A-10P	220
DG25R-A-05P	350	DG25R-A-11P	185
DG25R-A-06P	360	DG25R-A-12P	180
DG25R-A-07P	275		

straight pin instead of angel pin
 導電板曲げ不要
 弯脚不打弯
 $"S" = 7.62 \times (N-1)$
 $"L" = 7.62 \times (N+1) + 9.12$

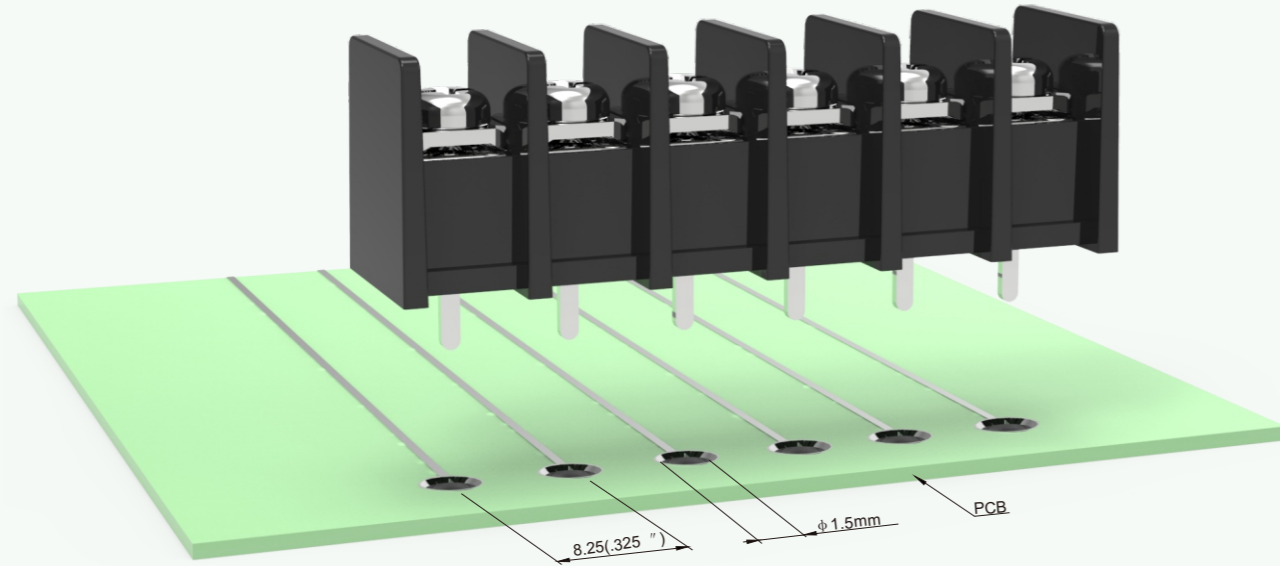
DG25R-A

Product model	Pcs./Pkt.	Product model	Pcs./Pkt.
DG25R-A-02P	300	DG25R-A-08P	190
DG25R-A-03P	300	DG25R-A-09P	175
DG25R-A-04P	375	DG25R-A-10P	150
DG25R-A-05P	325	DG25R-A-11P	135
DG25R-A-06P	275	DG25R-A-12P	130
DG25R-A-07P	210		

$"S" = 7.62 \times (N-1)$
 $"L" = 7.62 \times (N-1) + 9.12$

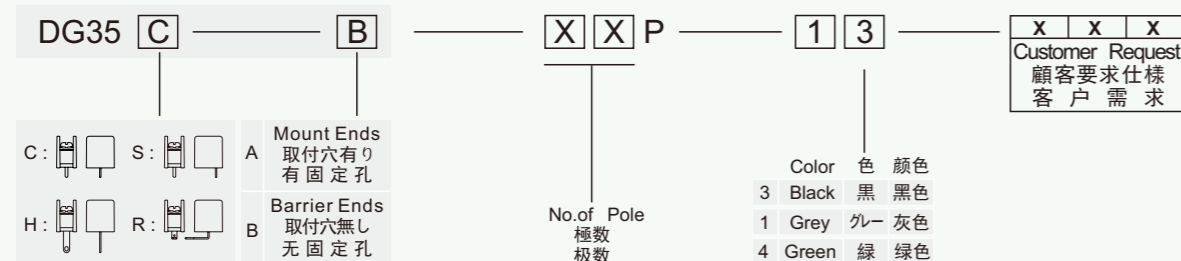
Poles	2	3	4	5	6	7	8	9	10
L	16.74mm(659")	24.36mm(959")	31.98mm(1259")	39.60mm(1559")	47.22mm(1859")	54.84mm(2159")	62.46mm(2459")	70.08mm(2759")	77.70mm(3059")
S	7.62mm(300")	15.24mm(600")	22.86mm(900")	30.48mm(1200")	38.10mm(1500")	45.72mm(1800")	53.34mm(2100")	60.96mm(2400")	68.58mm(2700")
Poles	11	12	13	14	15	16	17	18	19
L	85.32mm(3359")	92.94mm(3659")	100.56mm(3959")	108.18mm(4259")	115.80mm(4559")	123.42mm(4859")	131.04mm(5159")	138.66mm(5459")	146.28mm(5759")
S	76.20mm(3000")	83.82mm(3300")	91.44mm(3600")	99.06mm(3900")	106.68mm(4200")	114.30mm(4500")	121.92mm(4800")	129.54mm(5100")	137.16mm(5400")
Poles	20	21	22	23	24	25	26		
L	153.90mm(6059")	161.52mm(6359")	169.14mm(6659")	176.76mm(6959")	184.38mm(7259")	192.00mm(7559")	199.62mm(7859")		
S	144.78mm(5700")	152.40mm(6000")	160.02mm(6200")	167.64mm(6600")	175.26mm(6900")	182.88mm(7200")	190.50mm(7500")		

DG35

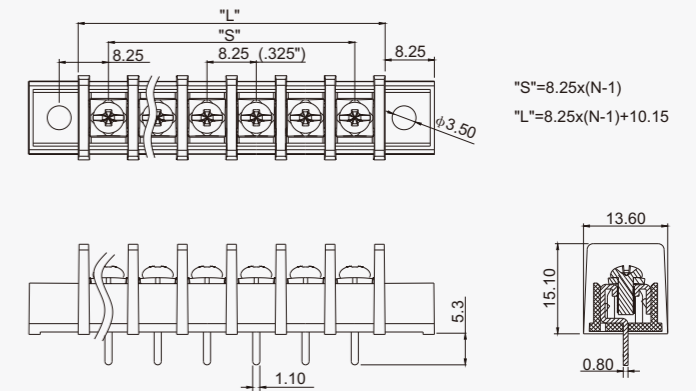
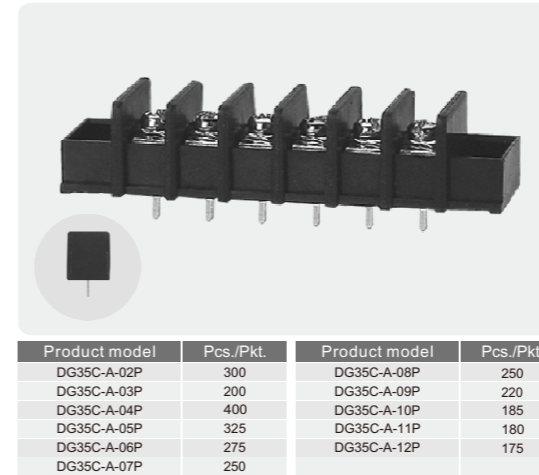


Electrical	電気性能	电气性能	UL1059 & CSA C22.2 NO.158	
Standard	安全規格	参考标准	UL1059 & CSA C22.2 NO.158	
Use group	使用レベル	使用级别	B	C
Rated voltage	定格電圧	额定电压	300V	300V
Rated current	定格電流	额定电流	20A	10A
Wire range	電線径	导线线径	22-12AWG	
Ring/Fork terminals	丸型圧着端子 先開型圧着端子	预绝缘端子	0.2-1.5mm ² /22-16AWG 0.5-2.5mm ² /22-14AWG	
Withstanding voltage	耐電圧	耐电压	AC1600V/1Min	
Insulation Resistance	絶縁抵抗	绝缘阻抗	500MΩ/DC500V	
Mechanical	機械性能	机械性能	0.5N.m (4.4Lb.In)	
Torque Value	ネジ締めトルク	锁紧扭力	-40°C~+105°C	
Ambient temperature	环境温度	环境温度	7-8mm	
Stripping length	電線剥き長	剥线长度	8.25mm(.325")	
Dimensions	寸法	尺寸	DG□-A	2P-24P
Pitch	ピッチ	间距	DG□-B	2P-26P
Poles	極数	极数	PA66, UL94V-0	
Material	材質及びメッキ	材质及电镀	Copper alloy, Tin Plated	銅合金, 錫メッキ
Housing	本体	塑件	Steel, Ni Plated	鋼, ニッケルメッキ
Terminal	導電板	端子	鋼合金, 鍍錫	
Screws	結線ビス	螺丝	鋼, 鍍銀	
Other Data	他の情報	其他信息	φ1.5mm	
PCB Hole Diameter	PCB取付穴径	PCB板孔径		

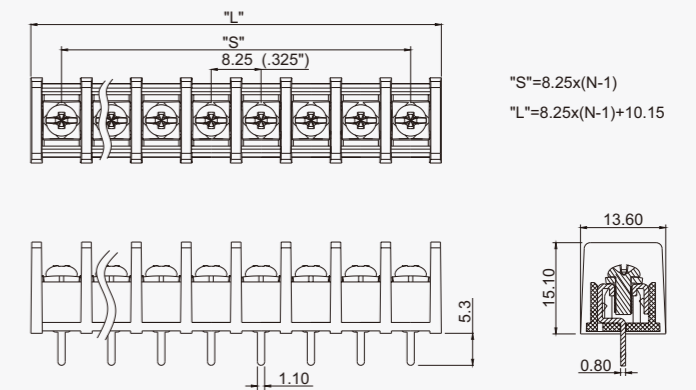
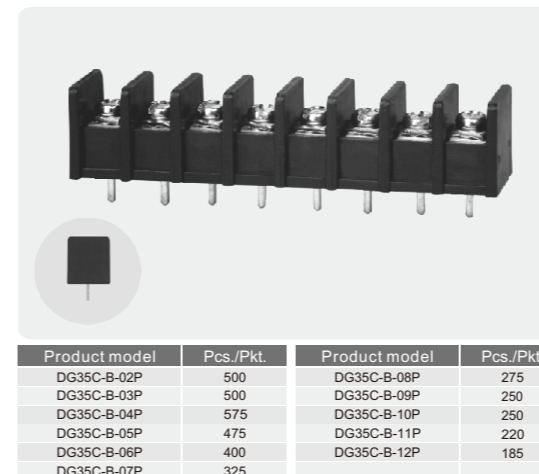
HOW TO ORDER 製品型番 订货方法



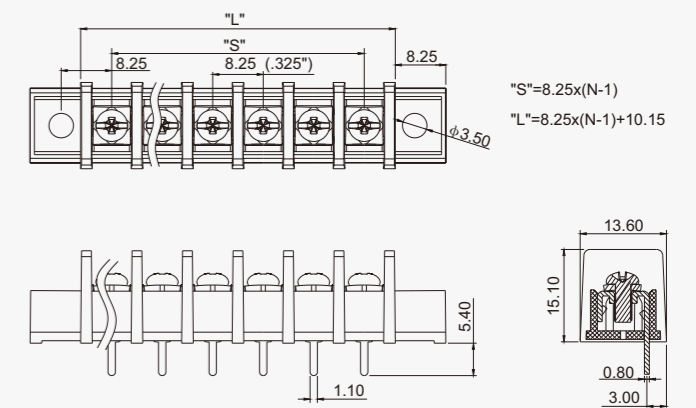
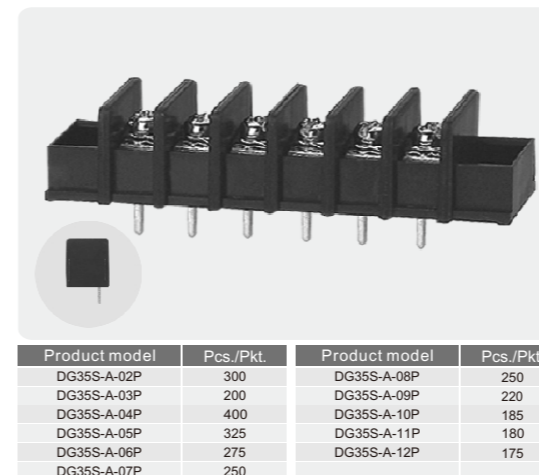
DG35C-A



DG35C-B



DG35S-A



DG35S-B

Product model	Pcs./Pkt.	Product model	Pcs./Pkt.
DG35S-B-02P	500	DG35S-B-08P	275
DG35S-B-03P	500	DG35S-B-09P	250
DG35S-B-04P	575	DG35S-B-10P	250
DG35S-B-05P	500	DG35S-B-11P	220
DG35S-B-06P	400	DG35S-B-12P	185
DG35S-B-07P	325		

$"S" = 8.25 \times (N-1)$
 $"L" = 8.25 \times (N-1) + 10.15$

DG35R-B

Product model	Pcs./Pkt.	Product model	Pcs./Pkt.
DG35R-B-02P	500	DG35R-B-08P	195
DG35R-B-03P	400	DG35R-B-09P	165
DG35R-B-04P	370	DG35R-B-10P	165
DG35R-B-05P	305	DG35R-B-11P	150
DG35R-B-06P	265	DG35R-B-12P	140
DG35R-B-07P	220		

$"S" = 8.25 \times (N-1)$
 $"L" = 8.25 \times (N-1) + 10.15$

DG35H-A

Product model	Pcs./Pkt.	Product model	Pcs./Pkt.
DG35H-A-02P	300	DG35H-A-08P	250
DG35H-A-03P	200	DG35H-A-09P	210
DG35H-A-04P	400	DG35H-A-10P	185
DG35H-A-05P	325	DG35H-A-11P	180
DG35H-A-06P	275	DG35H-A-12P	170
DG35H-A-07P	250		

$"S" = 8.25 \times (N-1)$
 $"L" = 8.25 \times (N-1) + 10.15$

DG35C-B-XP-1Y-16AH

Product model	Pcs./Pkt.	Product model	Pcs./Pkt.
DG35C-B-02P	500	DG35C-B-08P	275
DG35C-B-03P	500	DG35C-B-09P	250
DG35C-B-04P	575	DG35C-B-10P	250
DG35C-B-05P	475	DG35C-B-11P	220
DG35C-B-06P	400	DG35C-B-12P	185
DG35C-B-07P	325		

no screws in No.2 pole
第2極ビス無し
第2位不装螺丝

$"S" = 8.25 \times N$
 $"L" = 8.25 \times N + 10.15$

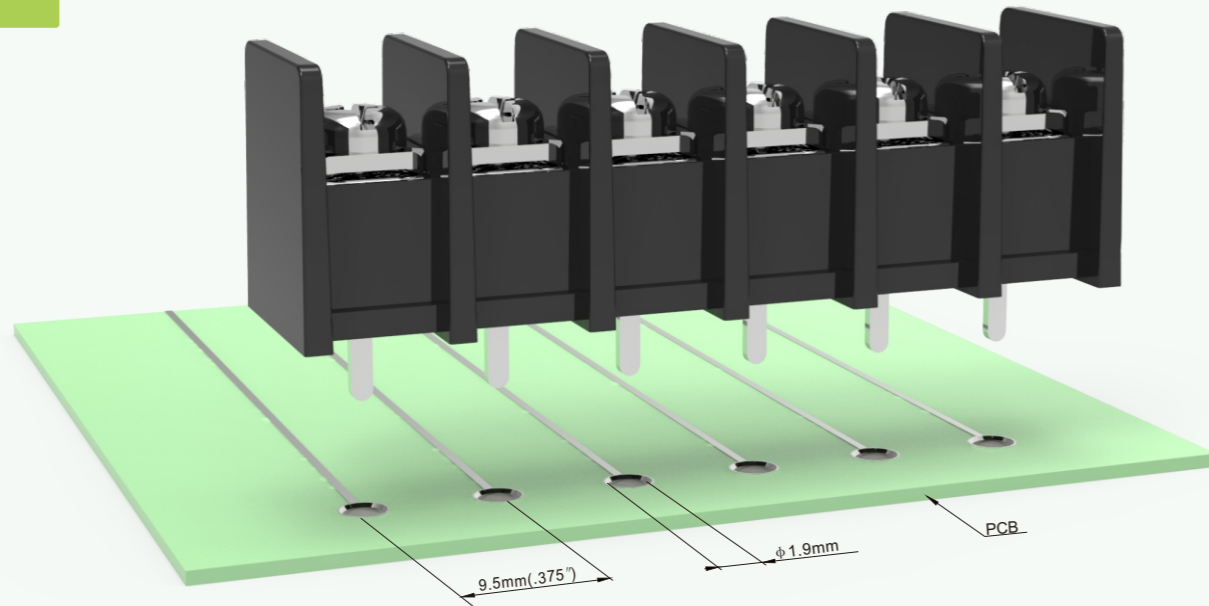
DG35R-A

Product model	Pcs./Pkt.	Product model	Pcs./Pkt.
DG35R-A-02P	300	DG35R-A-08P	210
DG35R-A-03P	200	DG35R-A-09P	190
DG35R-A-04P	350	DG35R-A-10P	160
DG35R-A-05P	250	DG35R-A-11P	155
DG35R-A-06P	250	DG35R-A-12P	150
DG35R-A-07P	230		

$"S" = 8.25 \times (N-1)$
 $"L" = 8.25 \times (N-1) + 10.15$

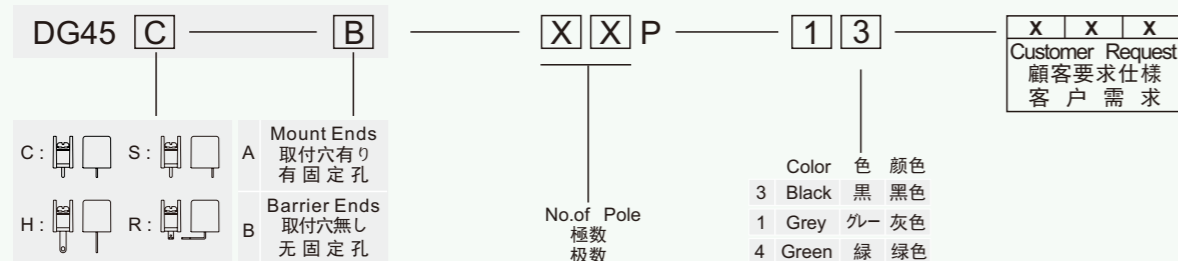
Poles	2	3	4	5	6	7	8	9	10
L	18.40mm(7.24")	26.65mm(1.049")	34.90mm(1.374")	43.15mm(1.699")	51.40mm(2.024")	59.65mm(2.348")	67.90mm(2.673")	76.15mm(2.998")	84.40mm(3.323")
S	8.25mm(.325")	16.50mm(.650")	24.75mm(.974")	33.00mm(1.299")	41.25mm(1.624")	49.50mm(1.949")	57.75mm(2.273")	66.00mm(2.598")	74.25mm(2.923")
Poles	11	12	13	14	15	16	17	18	19
L	92.65mm(3.648")	100.90mm(3.972")	109.15mm(4.297")	117.40mm(4.622")	125.65mm(4.947")	133.90mm(5.272")	142.15mm(5.596")	150.40mm(5.921")	158.65mm(6.246")
S	82.50mm(3.248")	90.75mm(3.573")	99.00mm(3.898")	107.25mm(4.222")	115.50mm(4.547")	123.75mm(4.872")	132.00mm(5.197")	140.25mm(5.522")	148.50mm(5.846")
Poles	20	21	22	23	24	25	26		
L	166.90mm(6.571")	175.15mm(6.896")	183.40mm(7.220")	191.65mm(7.545")	199.90mm(7.870")	208.15mm(8.195")	216.40mm(8.520")		
S	156.75mm(6.171")	165.00mm(6.496")	173.25mm(6.821")	181.50mm(7.146")	189.75mm(7.470")	198.00mm(7.795")	206.25mm(8.120")		

DG45

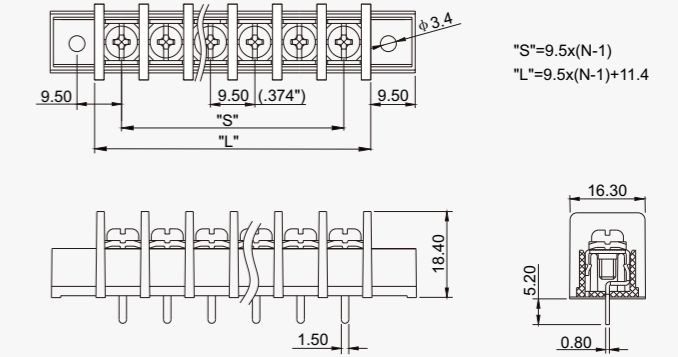
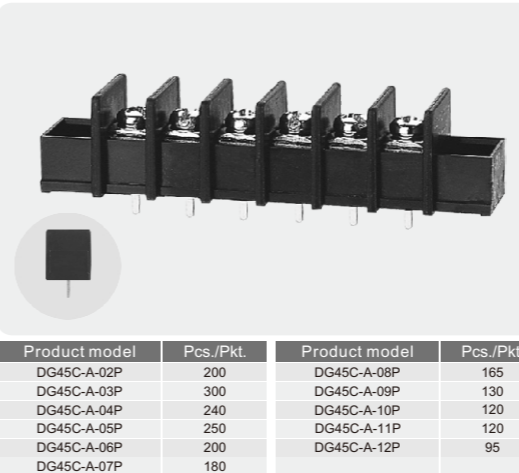


Electrical	電気性能	电气性能	UL1059 & CSA C22.2 NO.158		
Standard	安全規格	参考标准			
Use group	使用レベル	使用级别	B	C	D
Rated voltage	定格電圧	额定电压	300V	—	300V
Rated current	定格電流	额定电流	25A	—	10A
Wire range	電線径	导线线径	22-12AWG		
Ring/Fork terminals	丸型圧着端子 先開型圧着端子	预绝缘端子	0.5-2.5mm ² /22-14AWG 0.5-2.5mm ² /22-14AWG		
Withstanding voltage	耐電圧	耐电压	AC1600V/1Min		
Insulation Resistance	絶縁阻抗	绝缘阻抗	500MΩ/DC500V		
Mechanical	機械性能	机械性能			
Torque Value	ネジ締めトルク	锁紧扭力	1.2N.m (10.5Lb.In)		
Ambient temperature	環境温度	环境温度	-40°C~+105°C		
Stripping length	電線剥き長	剥线长度	8-9mm		
Dimensions	寸法	尺寸			
Pitch	ピッチ	间距	9.5mm (.375")		
Poles	極数	极数	DG□-A	2P-20P	
			DG□-B	2P-24P	
Material	材質及びメッキ	材质及电镀	PA66, UL94V-0		
Housing	本体	塑件	Copper alloy, Tin Plated 銅合金, 錫メッキ 銅合金, 镀锡		
Terminal	導電板	端子	Steel, Ni Plated 鋼, ニッケルメッキ 鋼, 镀镍		
Screws	結線ビス	螺丝			
Other Data	他の情報	其他信息			
PCB Hole Diameter	PCB取付穴径	PCB板孔径	φ1.9mm		

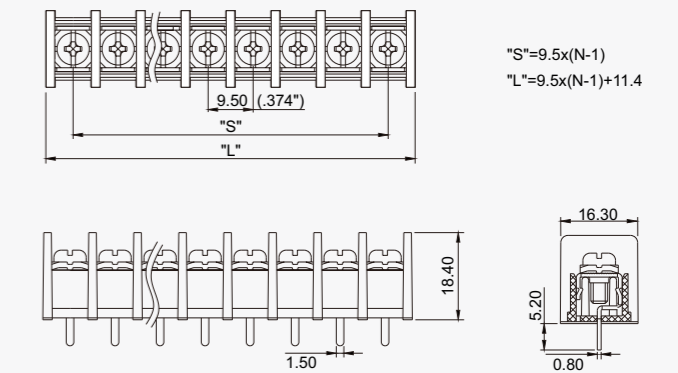
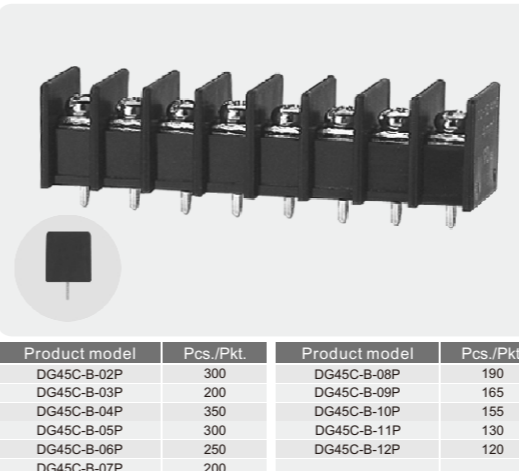
HOW TO ORDER 製品型番 订货方法



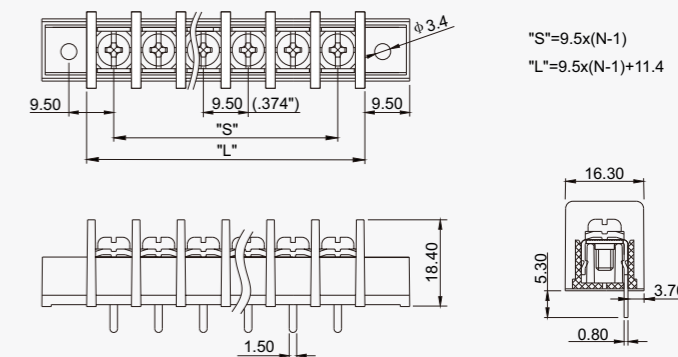
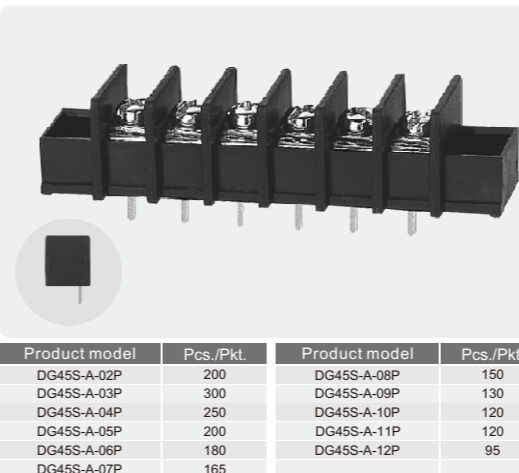
DG45C-A




DG45C-B



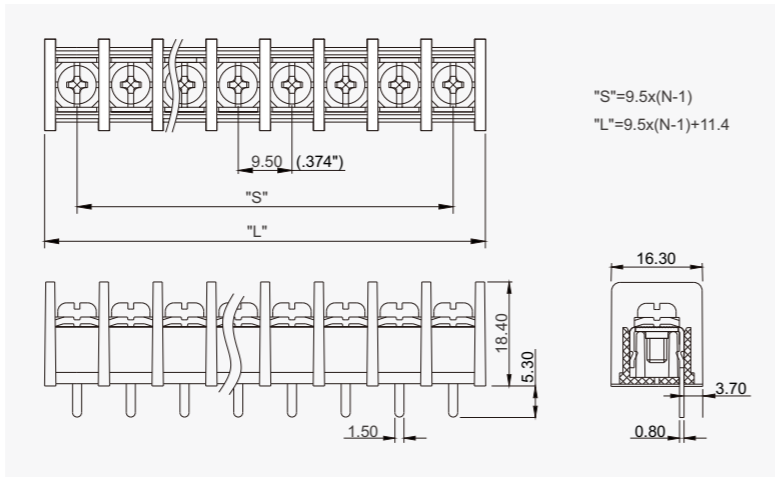
DG45S-A



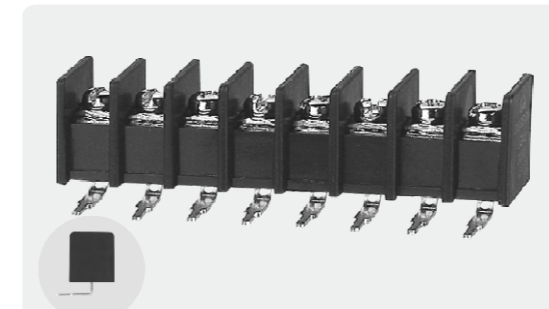
DG45S-B



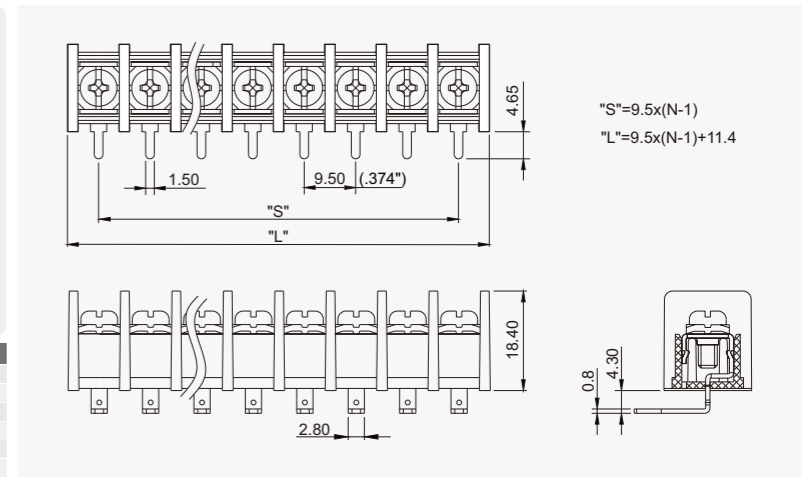
Product model	Pcs./Pkt.	Product model	Pcs./Pkt.
DG45S-B-02P	300	DG45S-B-08P	190
DG45S-B-03P	200	DG45S-B-09P	165
DG45S-B-04P	350	DG45S-B-10P	155
DG45S-B-05P	300	DG45S-B-11P	130
DG45S-B-06P	250	DG45S-B-12P	120
DG45S-B-07P	200		




DG45R-B



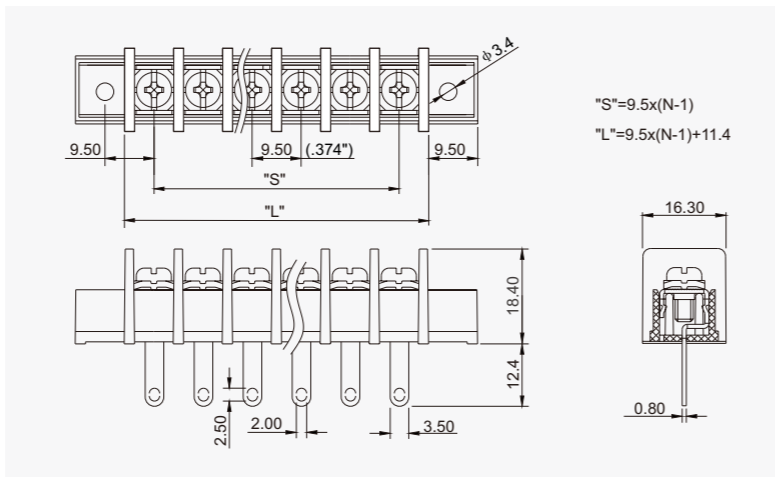
Product model	Pcs./Pkt.	Product model	Pcs./Pkt.
DG45R-B-02P	300	DG45R-B-08P	150
DG45R-B-03P	200	DG45R-B-09P	130
DG45R-B-04P	275	DG45R-B-10P	120
DG45R-B-05P	240	DG45R-B-11P	100
DG45R-B-06P	200	DG45R-B-12P	100
DG45R-B-07P	165		




DG45H-A



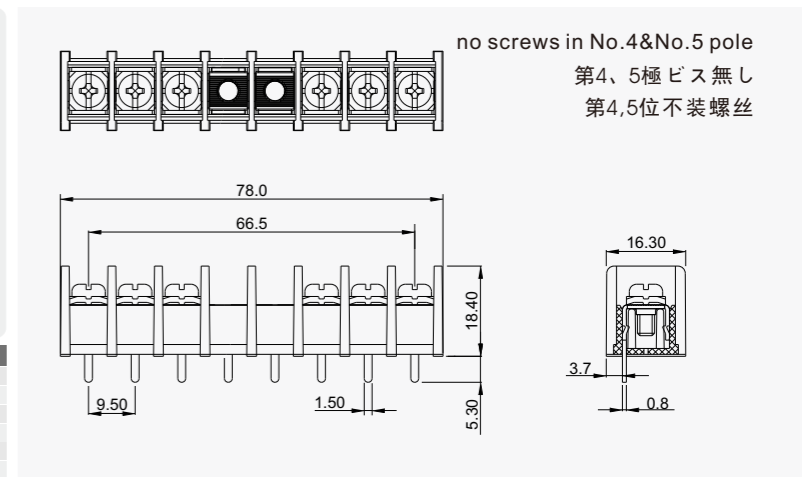
Product model	Pcs./Pkt.	Product model	Pcs./Pkt.
DG45H-A-02P	200	DG45H-A-08P	130
DG45H-A-03P	300	DG45H-A-09P	110
DG45H-A-04P	240	DG45H-A-10P	110
DG45H-A-05P	185	DG45H-A-11P	100
DG45H-A-06P	165	DG45H-A-12P	90
DG45H-A-07P	140		




DG45S-B-08P-1Y-03AH



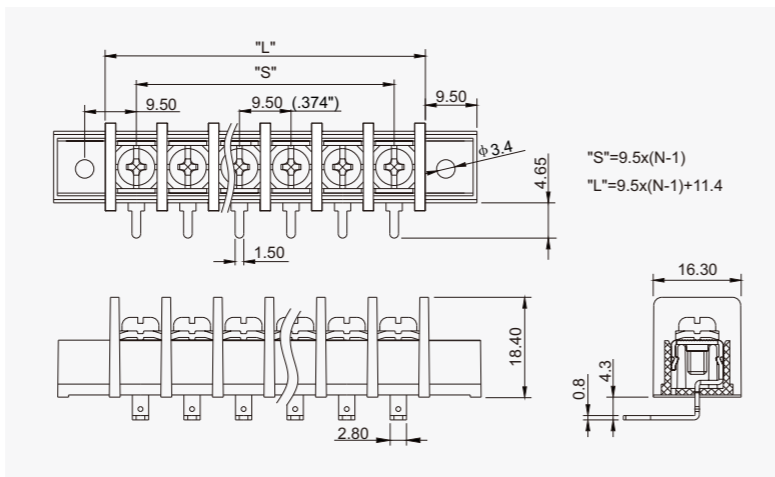
Product model	Pcs./Pkt.	Product model	Pcs./Pkt.
DG45S-B-08P	190		



DG45R-A

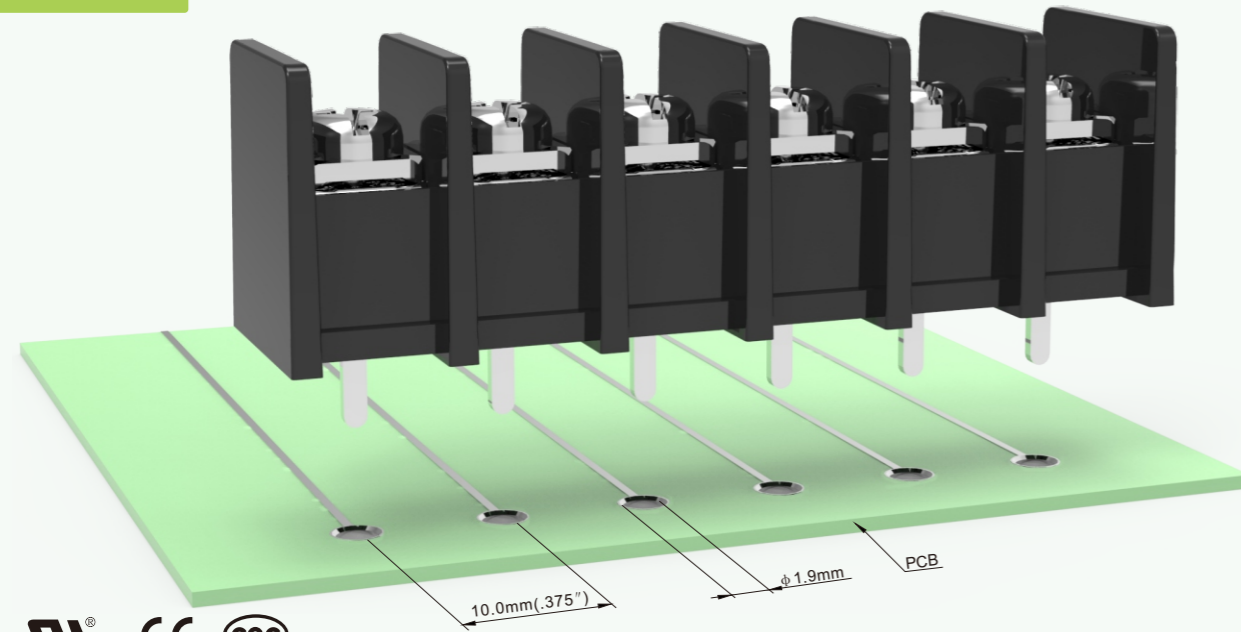


Product model	Pcs./Pkt.	Product model	Pcs./Pkt.
DG45R-A-02P	200	DG45R-A-08P	120
DG45R-A-03P	240	DG45R-A-09P	100
DG45R-A-04P	200	DG45R-A-10P	100
DG45R-A-05P	165	DG45R-A-11P	95
DG45R-A-06P	150	DG45R-A-12P	75
DG45R-A-07P	130		



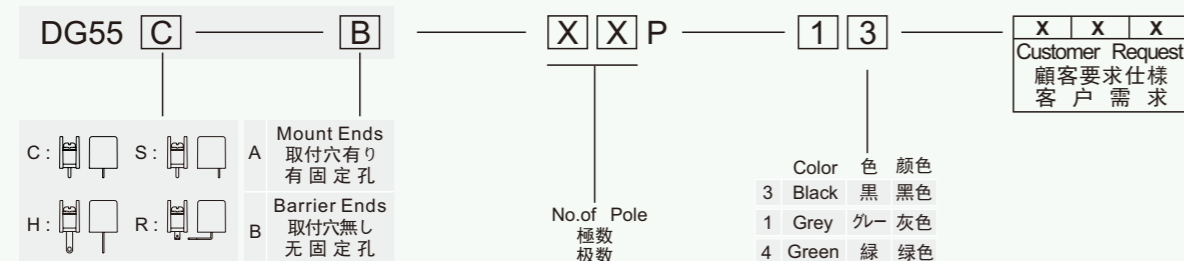
Poles	2	3	4	5	6	7	8	9	10
L	20.90mm(823")	30.40mm(1.197")	39.90mm(1.571")	49.40mm(1.945")	58.90mm(2.319")	68.40mm(2.348")	77.90mm(3.067")	87.40mm(3.441")	96.90mm(3.815")
S	9.50mm(.374")	19.00mm(.748")	28.50mm(1.122")	38.00mm(1.496")	47.50mm(1.624")	57.00mm(2.244")	66.50mm(2.618")	76.00mm(2.992")	85.50mm(3.366")
Poles	11	12	13	14	15	16	17	18	19
L	106.40mm(4.189")	115.90mm(4.563")	125.40mm(4.937")	134.90mm(5.311")	144.40mm(5.685")	153.90mm(6.059")	163.40mm(6.433")	172.90mm(6.807")	182.40mm(7.181")
S	95.00mm(3.740")	104.50mm(4.114")	114.00mm(4.488")	123.50mm(4.862")	133.00mm(5.236")	142.50mm(5.610")	152.00mm(5.984")	161.50mm(6.358")	171.00mm(6.732")
Poles	20	21	22	23	24	25	26		
L	191.90mm(7.555")	201.40mm(7.929")	210.90mm(8.303")						
S	180.50mm(7.106")	190.00mm(7.480")	199.50mm(7.854")						

DG55

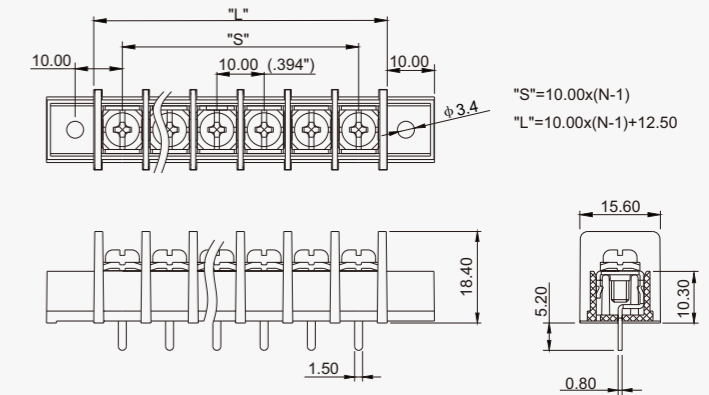
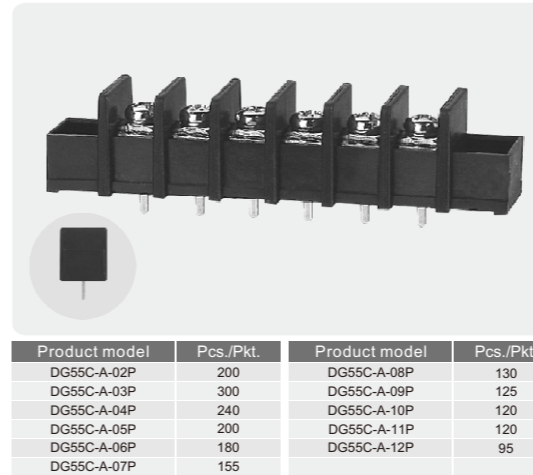


Electrical	電気性能	电气性能	UL 1059 & CSA C22.2 NO. 158		
Standard	安全規格	参考标准			
Use group	使用レベル	使用级别	B	C	D
Rated voltage	定格電圧	额定电压	300V	300V	300V
Rated current	定格電流	额定电流	20A	20A	10A
Wire range	電線径	导线线径	22-12AWG		
Ring/Fork terminals	丸型圧着端子 先開型圧着端子	预绝缘端子	0.5-2.5mm ² /22-14AWG 0.5-2.5mm ² /22-14AWG		
Withstanding voltage	耐電圧	耐电压	AC1600V/1Min		
Insulation Resistance	絶縁抵抗	绝缘阻抗	500MΩ/DC500V		
Mechanical	機械性能	机械性能			
Torque Value	ネジ締めトルク	锁紧扭力	1.2N.m (10.5Lb.In)		
Ambient temperature	環境温度	环境温度	-40°C~+105°C		
Stripping length	電線剥き長	剥线长度	9-10mm		
Dimensions	寸法	尺寸			
Pitch	ピッチ	间距	10.0mm (.394")		
Poles	極数	极数	DG□-A	2P-24P	
			DG□-B	2P-26P	
Material	材質及びメッキ	材质及电镀	PA66, UL94V-0		
Housing	本体	塑件	Copper alloy, Tin Plated 銅合金, 錫メッキ 銅合金, 镀锡		
Terminal	導電板	端子	Steel, Ni Plated 鋼, ニッケルメッキ 鋼, 镀镍		
Screws	結線ビス	螺丝			
Other Data	他の情報	其他信息			
PCB Hole Diameter	PCB取付穴径	PCB板孔径	φ1.9mm		

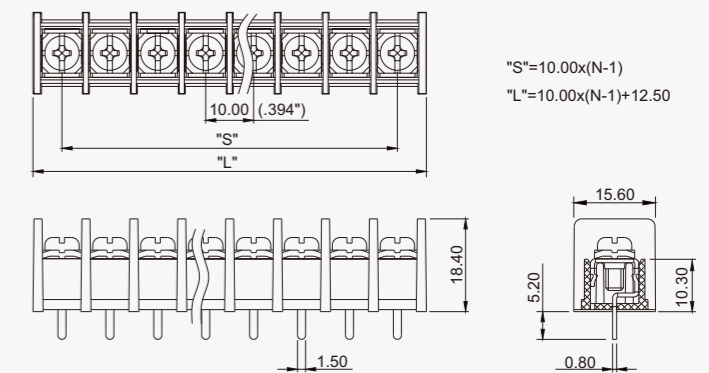
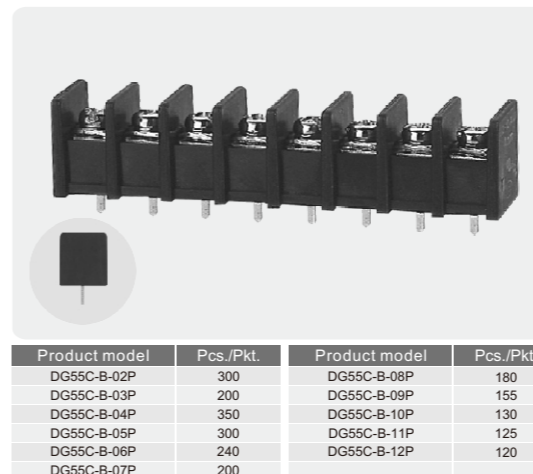
HOW TO ORDER 製品型番 订货方法



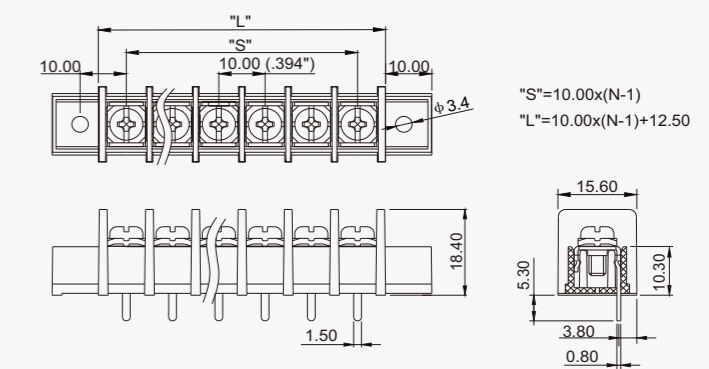
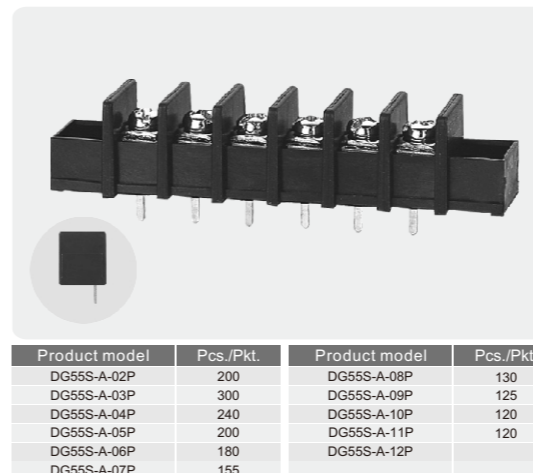
DG55C-A



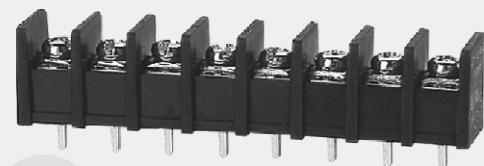
DG55C-B



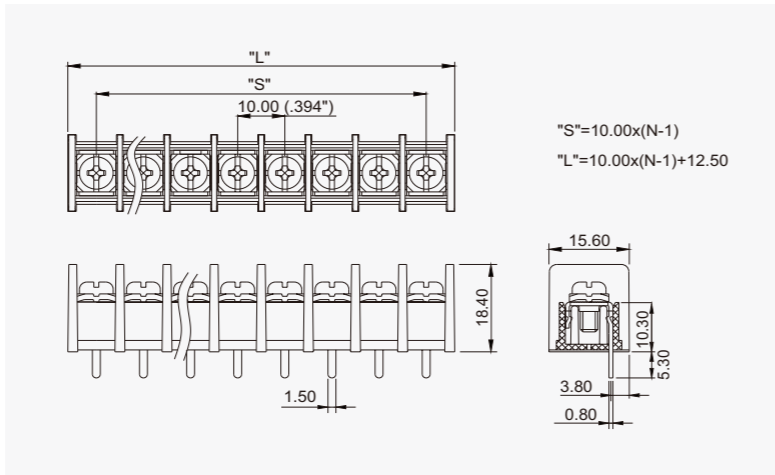
DG55S-A



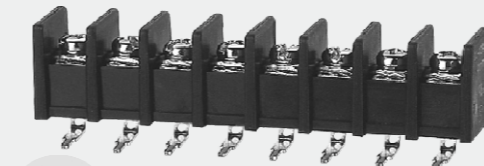
DG55S-B



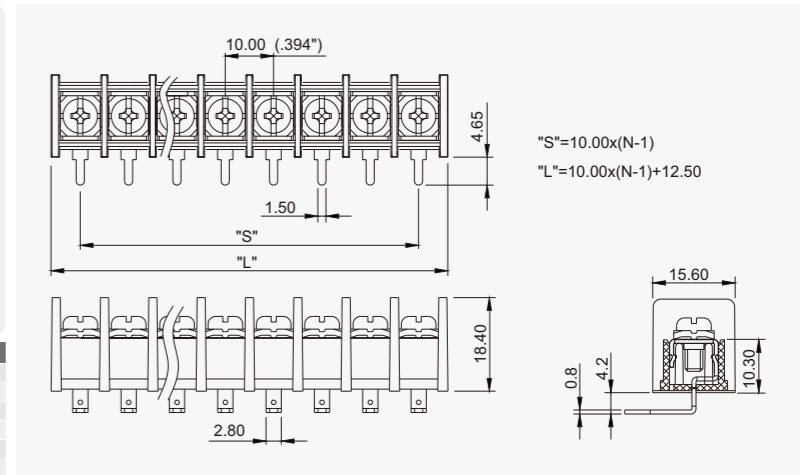
Product model	Pcs./Pkt.	Product model	Pcs./Pkt.
DG55S-B-02P	300	DG55S-B-08P	180
DG55S-B-03P	200	DG55S-B-09P	155
DG55S-B-04P	350	DG55S-B-10P	130
DG55S-B-05P	300	DG55S-B-11P	125
DG55S-B-06P	240	DG55S-B-12P	120
DG55S-B-07P	200		



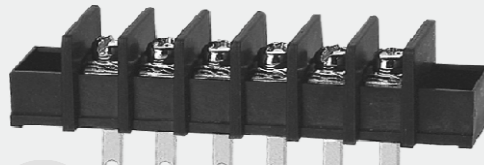
DG55R-B



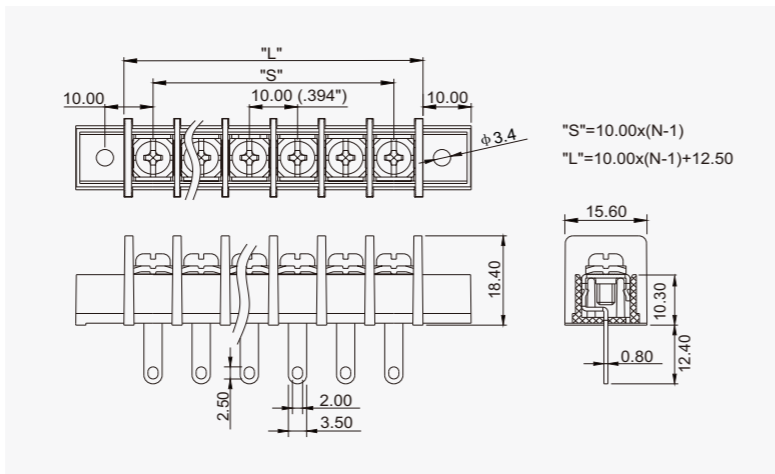
Product model	Pcs./Pkt.	Product model	Pcs./Pkt.
DG55R-B-02P	300	DG55R-B-08P	155
DG55R-B-03P	200	DG55R-B-09P	130
DG55R-B-04P	300	DG55R-B-10P	115
DG55R-B-05P	240	DG55R-B-11P	110
DG55R-B-06P	200	DG55R-B-12P	100
DG55R-B-07P	170		




DG55H-A



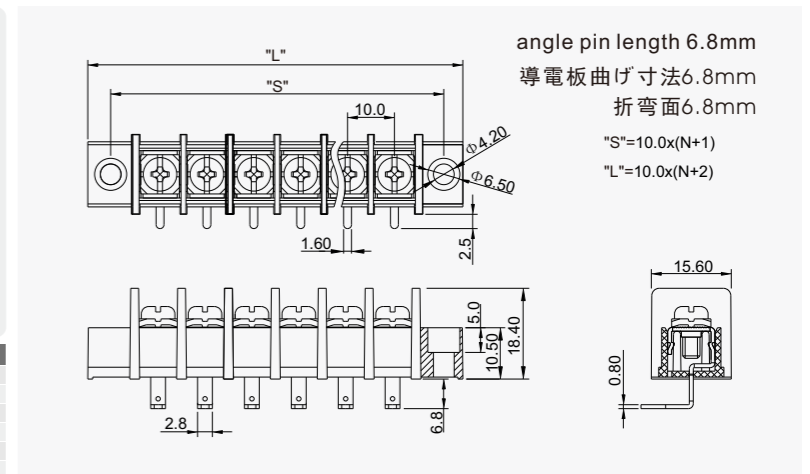
Product model	Pcs./Pkt.	Product model	Pcs./Pkt.
DG55H-A-02P	200	DG55H-A-08P	120
DG55H-A-03P	250	DG55H-A-09P	110
DG55H-A-04P	235	DG55H-A-10P	120
DG55H-A-05P	200	DG55H-A-11P	100
DG55H-A-06P	160	DG55H-A-12P	80
DG55H-A-07P	140		



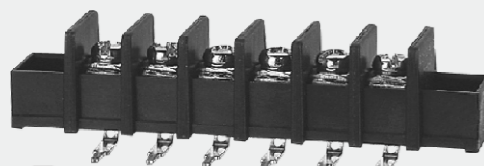
DG55R-A-XXP-1Y-08AH



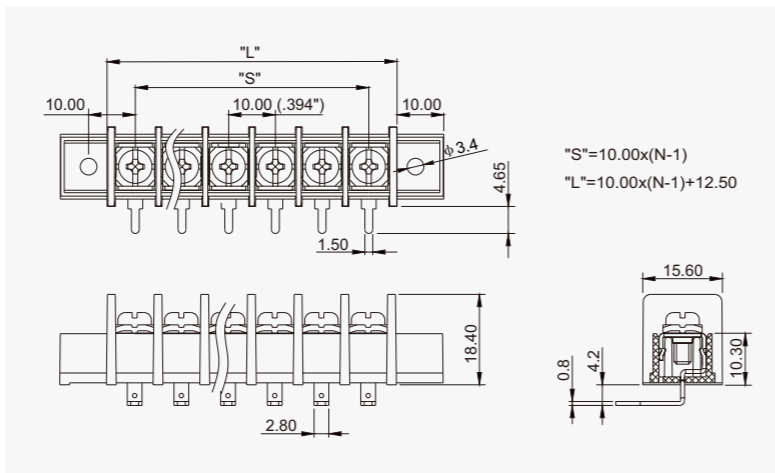
Product model	Pcs./Pkt.	Product model	Pcs./Pkt.
DG55R-A-02P	200	DG55R-A-08P	100
DG55R-A-03P	220	DG55R-A-09P	100
DG55R-A-04P	190	DG55R-A-10P	95
DG55R-A-05P	160	DG55R-A-11P	75
DG55R-A-06P	140	DG55R-A-12P	75
DG55R-A-07P	120		



DG55R-A

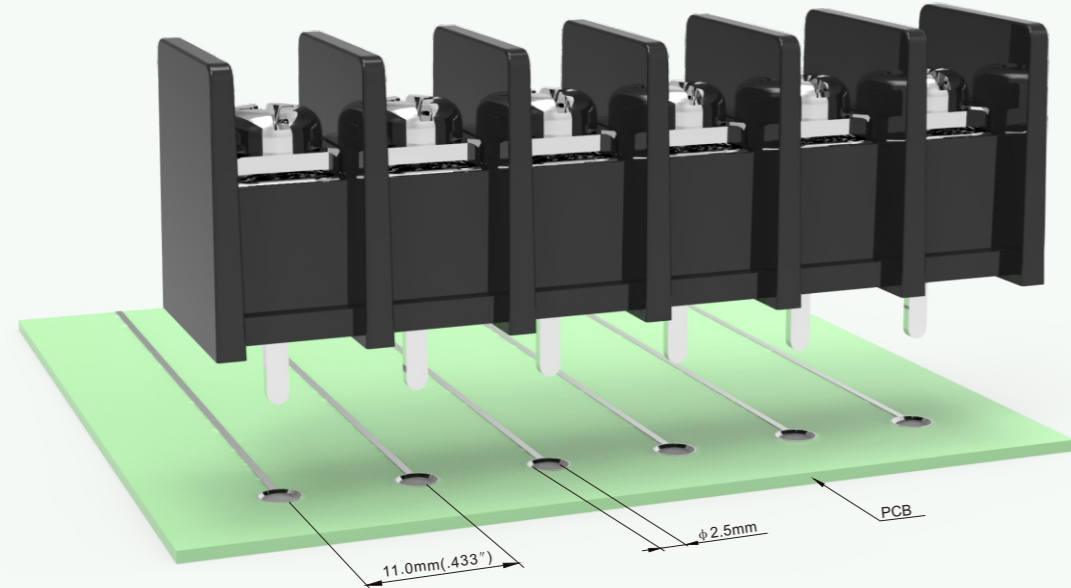


Product model	Pcs./Pkt.	Product model	Pcs./Pkt.
DG55R-A-02P	200	DG55R-A-08P	100
DG55R-A-03P	220	DG55R-A-09P	100
DG55R-A-04P	190	DG55R-A-10P	95
DG55R-A-05P	160	DG55R-A-11P	75
DG55R-A-06P	140	DG55R-A-12P	75
DG55R-A-07P	120		



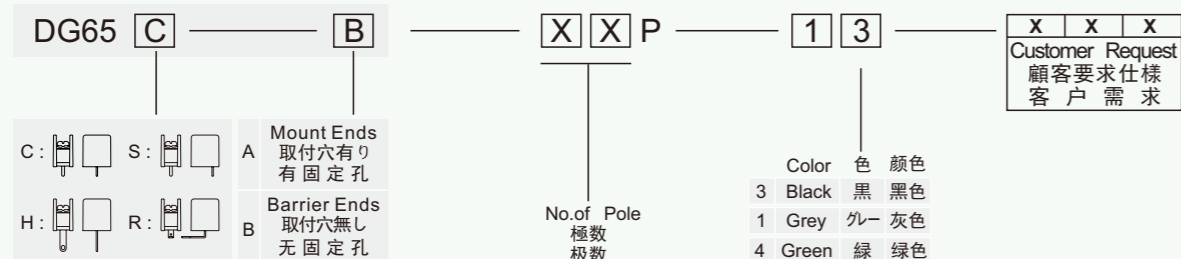
Poles	2	3	4	5	6	7	8	9	10
L	22.50mm(886")	32.50mm(1.280")	42.50mm(1.673")	52.50mm(2.067")	62.50mm(2.461")	72.50mm(2.854")	82.50mm(3.248")	92.50mm(3.642")	102.50mm(4.035")
S	10.00mm(.394")	20.00mm(.787")	30.00mm(1.181")	40.00mm(1.575")	50.00mm(1.969")	60.00mm(2.362")	70.00mm(2.756")	80.00mm(3.150")	90.00mm(3.543")
Poles	11	12	13	14	15	16	17	18	19
L	112.50mm(4.429")	122.50mm(4.823")	132.50mm(5.217")	142.50mm(5.610")	152.50mm(6.003")	162.50mm(6.398")	172.50mm(6.791")	182.50mm(7.185")	192.50mm(7.579")
S	100.00mm(3.937")	110.00mm(4.331")	120.00mm(4.724")	130.00mm(5.118")	140.00mm(5.512")	150.00mm(5.906")	160.00mm(6.299")	170.00mm(6.693")	180.00mm(7.087")
Poles	20	21	22	23	24	25	26		
L	202.50mm(7.972")	212.50mm(8.366")	222.50mm(8.760")	232.50mm(9.154")	242.50mm(9.547")	252.50mm(9.941")	262.5mm(10.335")		
S	190.00mm(7.480")	200.00mm(7.874")	210.00mm(8.268")	220.00mm(8.661")	230.00mm(9.055")	240.00mm(9.449")	250.00mm(9.843")		

DG65

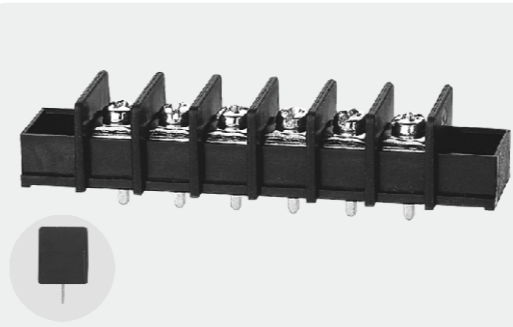


Electrical	電気性能	电气性能	UL 1059 & CSA C22.2 NO. 158		
Standard	安全規格	参考标准			
Use group	使用レベル	使用级别	B	C	D
Rated voltage	定格電圧	额定电压	300V	-	300V
Rated current	定格電流	额定电流	20A	-	10A
Wire range	電線径	导线线径	22-12AWG		
Ring/Fork terminals	丸型圧着端子 先開型圧着端子	预绝缘端子	0.2-2.5mm ² /22-14AWG 0.5-4.0mm ² /22-12AWG		
Withstanding voltage	耐電圧	耐电压	AC1600V/1Min		
Insulation Resistance	絶縁抵抗	绝缘阻抗	500MΩ/DC500V		
Mechanical	機械性能	机械性能	1.2N.m (10.5Lb.In)		
Torque Value	ネジ締付トルク	锁紧扭力			
Ambient temperature	環境温度	环境温度	-40°C~+105°C		
Stripping length	電線剥き長	剥线长度	9-10mm		
Dimensions	寸法	尺寸	11.0mm(.433")		
Pitch	ピッチ	间距			
Poles	極数	极数	DG□-A	2P-20P	
			DG□-B	2P-22P	
Material	材質及びメッキ	材质及电镀	PA66, UL94V-0		
Housing	本体	塑件			
Terminal	導電板	端子	Copper alloy, Tin Plated	銅合金, 錫メッキ	铜合金, 镀锡
Screws	結線ビス	螺丝	Steel, Ni Plated	鋼, ニッケルメッキ	钢, 镀镍
Other Data	他の情報	其他信息	φ2.5mm		
PCB Hole Diameter	PCB取付穴径	PCB板孔径			

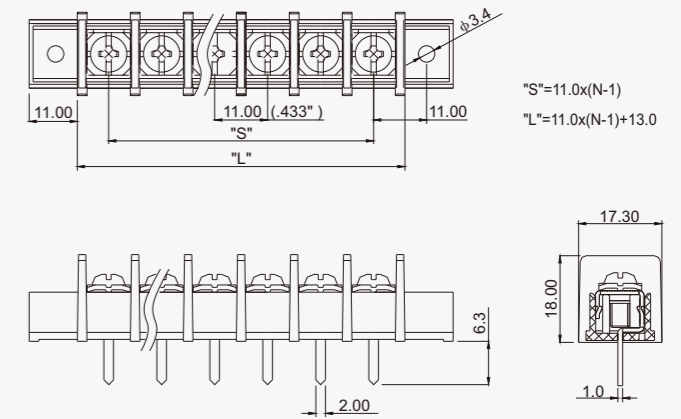
HOW TO ORDER 製品型番 订货方法



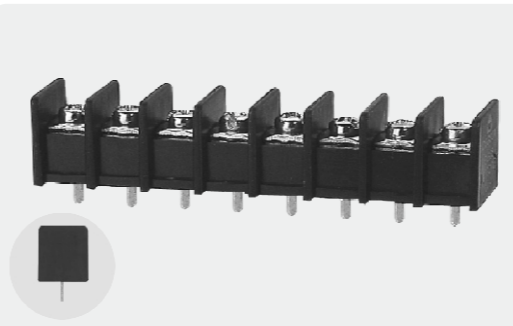
DG65C-A



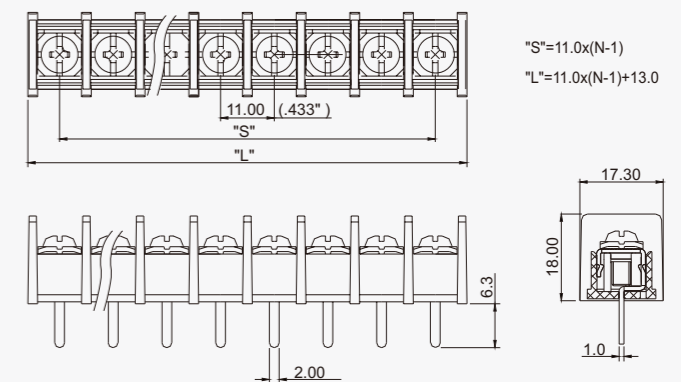
Product model	Pcs./Pkt.	Product model	Pcs./Pkt.
DG65C-A-02P	200	DG65C-A-08P	100
DG65C-A-03P	210	DG65C-A-09P	100
DG65C-A-04P	170	DG65C-A-10P	80
DG65C-A-05P	150	DG65C-A-11P	75
DG65C-A-06P	130	DG65C-A-12P	75
DG65C-A-07P	110		



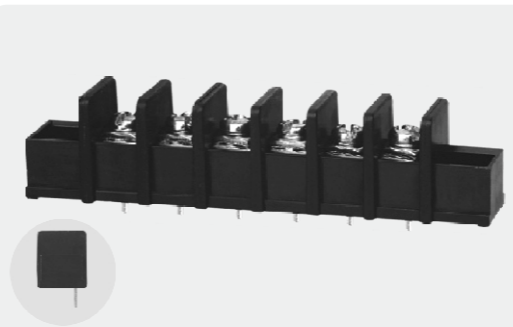
DG65C-B



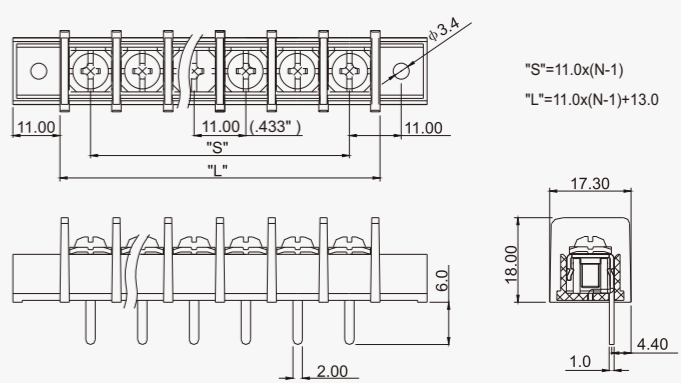
Product model	Pcs./Pkt.	Product model	Pcs./Pkt.
DG65C-B-02P	300	DG65C-B-08P	120
DG65C-B-03P	200	DG65C-B-09P	120
DG65C-B-04P	240	DG65C-B-10P	100
DG65C-B-05P	200	DG65C-B-11P	90
DG65C-B-06P	165	DG65C-B-12P	80
DG65C-B-07P	135		



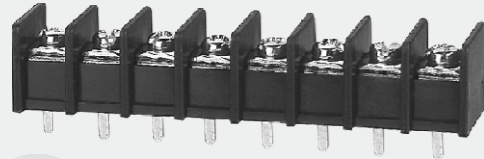
DG65S-A



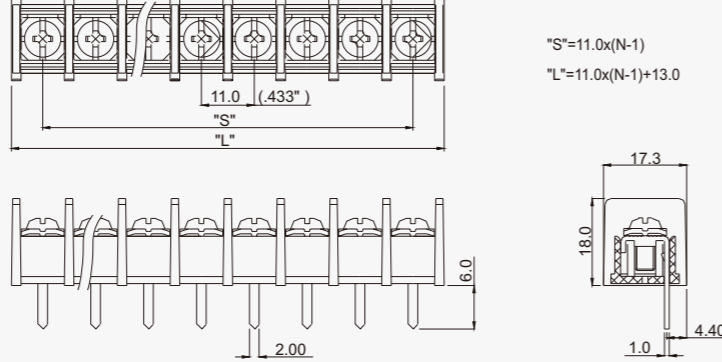
Product model	Pcs./Pkt.	Product model	Pcs./Pkt.
DG65S-A-02P	200	DG65S-A-08P	100
DG65S-A-03P	210	DG65S-A-09P	100
DG65S-A-04P	170	DG65S-A-10P	80
DG65S-A-05P	150	DG65S-A-11P	75
DG65S-A-06P	130	DG65S-A-12P	75
DG65S-A-07P	110		



DG65S-B

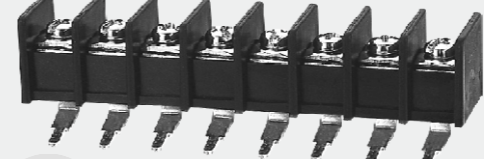


Product model	Pcs./Pkt.	Product model	Pcs./Pkt.
DG65S-B-02P	300	DG65S-B-08P	120
DG65S-B-03P	200	DG65S-B-09P	120
DG65S-B-04P	240	DG65S-B-10P	100
DG65S-B-05P	200	DG65S-B-11P	90
DG65S-B-06P	165	DG65S-B-12P	
DG65S-B-07P	135		

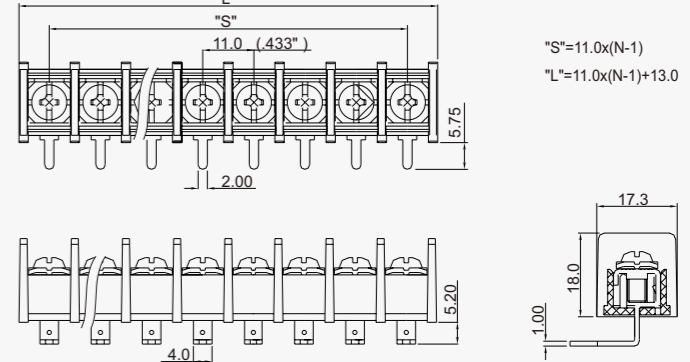


$"S"=11.0 \times (N-1)$
 $"L"=11.0 \times (N-1) + 13.0$

DG65R-B

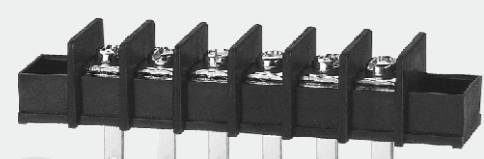


Product model	Pcs./Pkt.	Product model	Pcs./Pkt.
DG65R-B-02P	300	DG65R-B-08P	120
DG65R-B-03P	200	DG65R-B-09P	100
DG65R-B-04P	220	DG65R-B-10P	90
DG65R-B-05P	185	DG65R-B-11P	85
DG65R-B-06P	150	DG65R-B-12P	70
DG65R-B-07P	130		

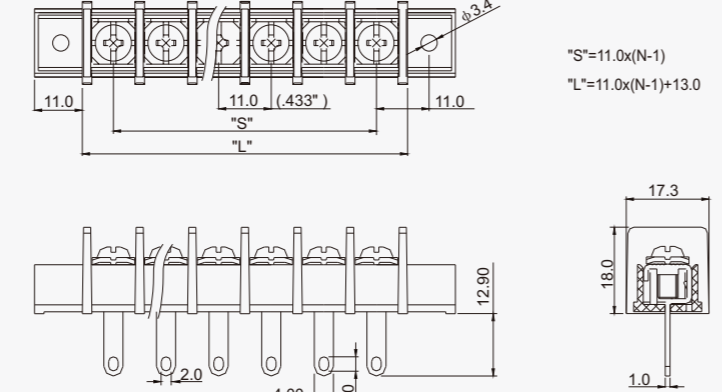


$"S"=11.0 \times (N-1)$
 $"L"=11.0 \times (N-1) + 13.0$

DG65H-A




Product model	Pcs./Pkt.	Product model	Pcs./Pkt.
DG65H-A-02P	200	DG65H-A-08P	100
DG65H-A-03P	200	DG65H-A-09P	120
DG65H-A-04P	200	DG65H-A-10P	75
DG65H-A-05P	150	DG65H-A-11P	70
DG65H-A-06P	130	DG65H-A-12P	70
DG65H-A-07P	130		

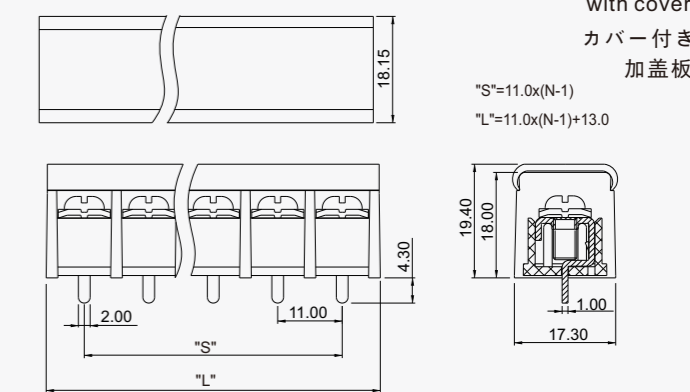


$"S"=11.0 \times (N-1)$
 $"L"=11.0 \times (N-1) + 13.0$

DG65C-B-XP-1Y-20AH



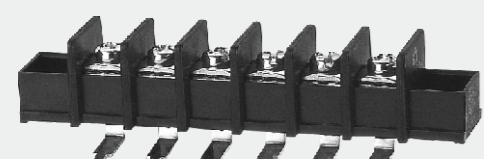
Product model	Pcs./Pkt.	Product model	Pcs./Pkt.
DG65C-B-02P	300	DG65C-B-08P	120
DG65C-B-03P	200	DG65C-B-09P	120
DG65C-B-04P	240	DG65C-B-10P	100
DG65C-B-05P	200	DG65C-B-11P	90
DG65C-B-06P	165	DG65C-B-12P	80
DG65C-B-07P	135		



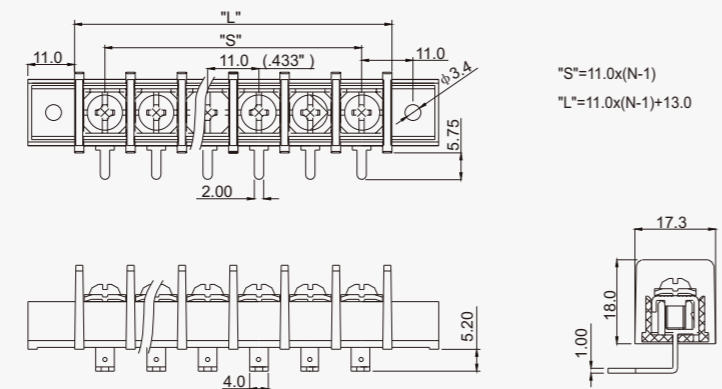
with cover
カバー付き
加蓋板

$"S"=11.0 \times (N-1)$
 $"L"=11.0 \times (N-1) + 13.0$

DG65R-A



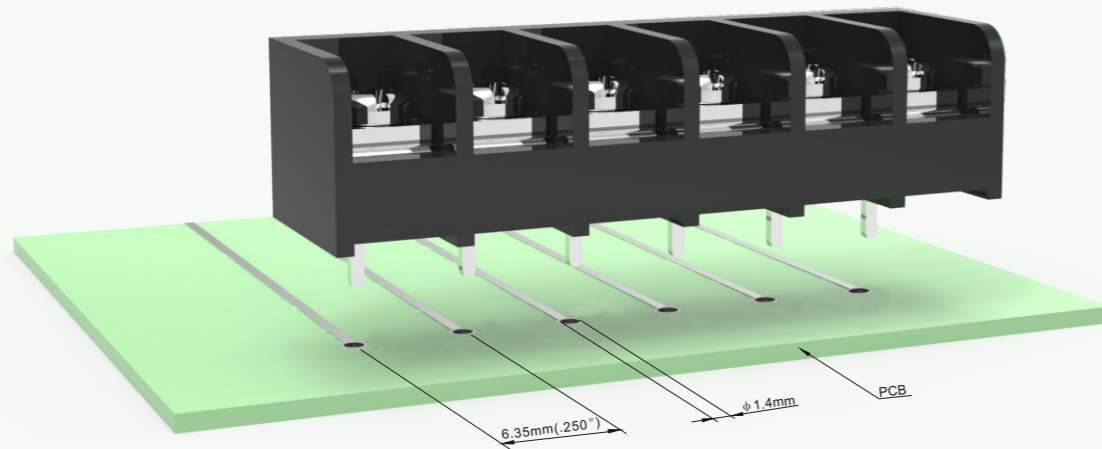
Product model	Pcs./Pkt.	Product model	Pcs./Pkt.
DG65R-A-02P	200	DG65R-A-08P	95
DG65R-A-03P	175	DG65R-A-09P	85
DG65R-A-04P	150	DG65R-A-10P	70
DG65R-A-05P	140	DG65R-A-11P	65
DG65R-A-06P	120	DG65R-A-12P	65
DG65R-A-07P	100		



$"S"=11.0 \times (N-1)$
 $"L"=11.0 \times (N-1) + 13.0$

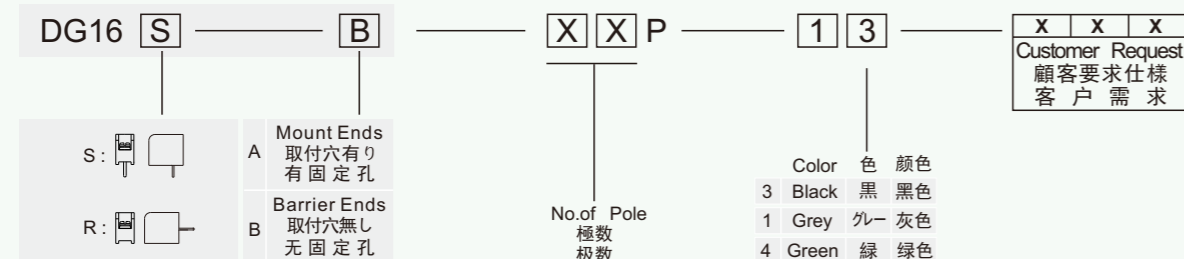
Poles	2	3	4	5	6	7	8	9	10
L	24.00mm(9.45")	35.00mm(1.378")	46.00mm(1.881")	57.00mm(2.244")	68.00mm(2.677")	79.00mm(3.110")	90.00mm(3.543")	101.00mm(3.976")	112.00mm(4.409")
S	11.00mm(4.33")	22.00mm(8.66")	33.00mm(1.299")	44.00mm(1.732")	55.00mm(2.165")	66.00mm(2.598")	77.00mm(3.031")	88.00mm(3.464")	99.00mm(3.897")
Poles	11	12	13	14	15	16	17	18	19
L	123.00mm(4.843")	134.00mm(5.276")	145.00mm(5.709")	156.00mm(5.142")	167.00mm(6.575")	178.00mm(7.008")	189.00mm(7.441")	200.00mm(7.874")	211.00mm(8.307")
S	110.00mm(4.331")	121.00mm(4.764")	132.00mm(5.197")	143.00mm(5.630")	154.00mm(6.063")	165.00mm(6.496")	176.00mm(6.929")	187.00mm(7.362")	198.00mm(7.795")
Poles	20	21	22	23	24	25	26		
L	222.00mm(8.740")	233.00mm(9.173")	244.00mm(9.606")						
S	209.00mm(8.228")	220.00mm(8.661")	231.00mm(9.094")						

DG16

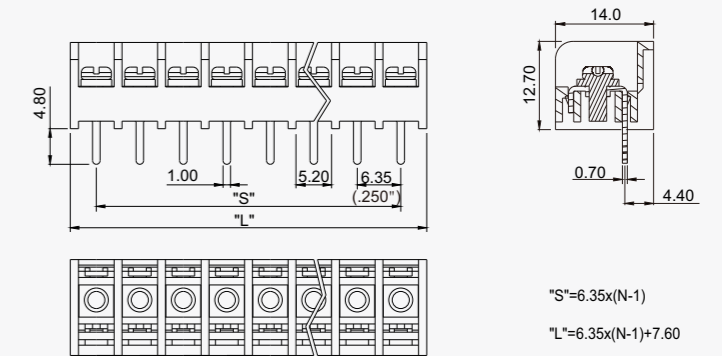
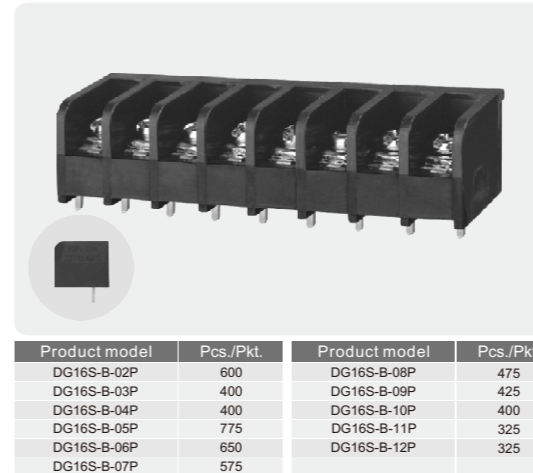


Electrical	電気性能	电气性能	UL1059 & CSA C22.2 NO.158		
Standard	安全規格	参考标准			
Use group	使用レベル	使用级别	B	C	D
Rated voltage	定格電圧	额定电压	300V	150V	300V
Rated current	定格電流	额定电流	10A	10A	10A
Wire range	電線径	导线线径	22-16AWG		
Ring/Fork terminals	丸型圧着端子 先開型圧着端子	预绝缘端子	-		
Withstanding voltage	耐電圧	耐电压	AC1600V/1Min		
Insulation Resistance	絶縁抵抗	绝缘阻抗	500MΩ/DC500V		
Mechanical	機械性能	机械性能			
Torque Value	ネジ締めトルク	锁紧扭力	0.4N.m (3.5Lb.In)		
Ambient temperature	環境温度	环境温度	-40°C~+105°C		
Stripping length	電線剥き長	剥线长度	6-7mm		
Dimensions	寸法	尺寸			
Pitch	ピッチ	间距	6.35mm (.250")		
Poles	極数	极数	DG □S-B-60-A	2P,3P,4P	
			DG □-B	2P-24P	
Material	材質及びメッキ	材质及电镀	PA66, UL94V-0		
Housing	本体	塑件	Copper alloy, Tin Plated		
Terminal	導電板	端子	銅合金, 錫メッキ	銅合金, 鍍錫	
Screws	結線ビス	螺丝	Steel, Ni Plated	鋼, ニッケルメッキ	鋼, 鍍銀
Other Data	他の情報	其他信息			
PCB Hole Diameter	PCB取付穴径	PCB板孔径	φ1.4mm		

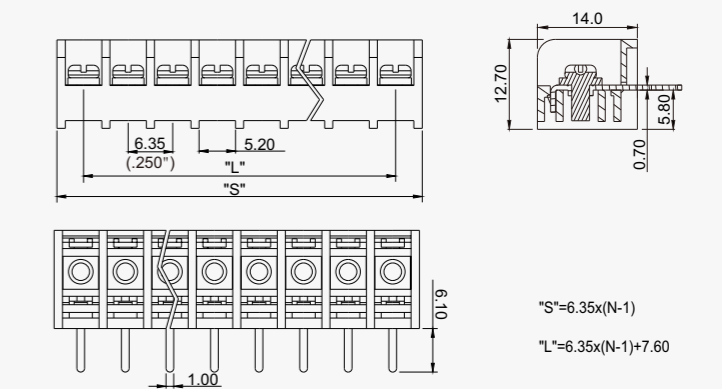
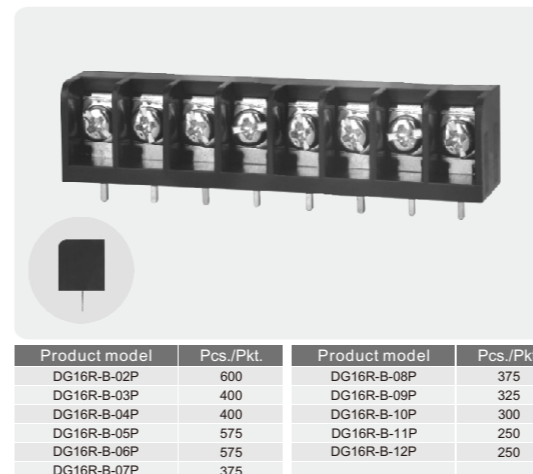
HOW TO ORDER 製品型番 订货方法



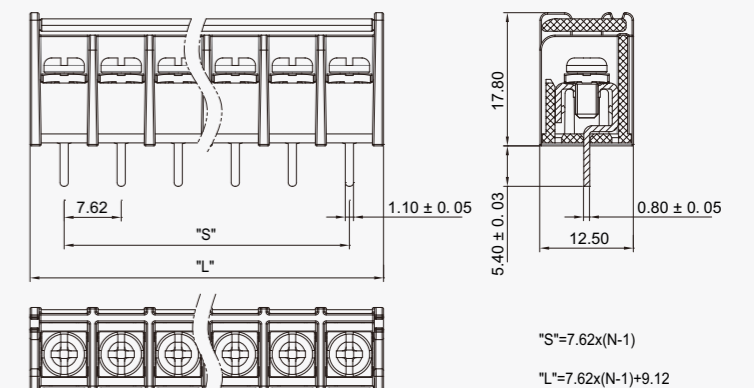
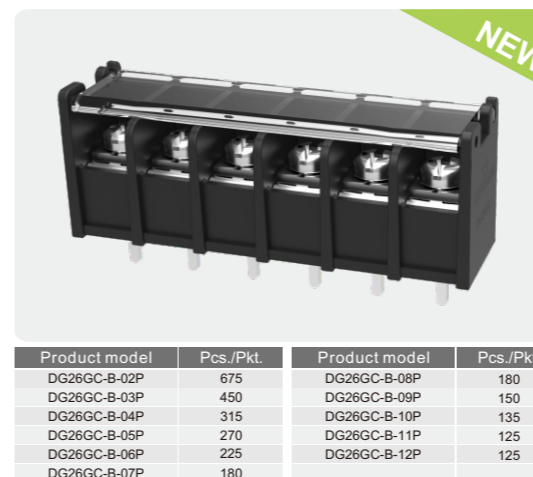
DG16S-B



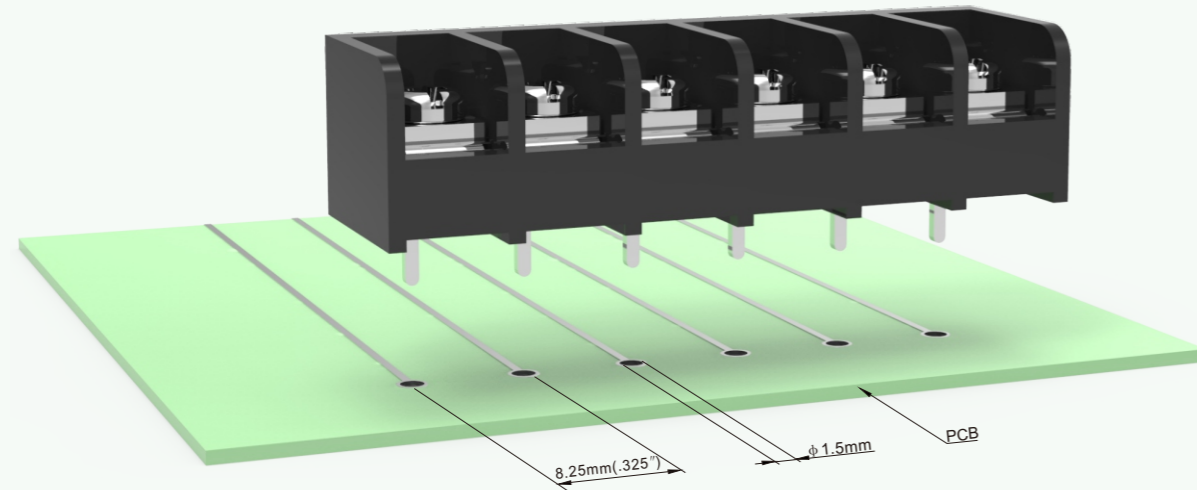
DG16R-B



DG26GC-B

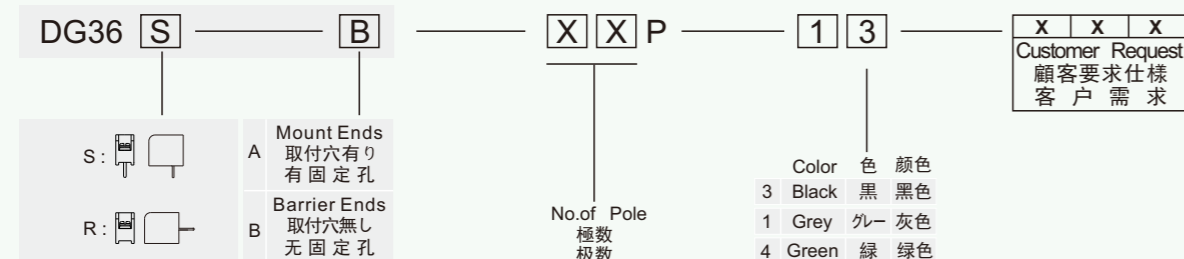


DG36

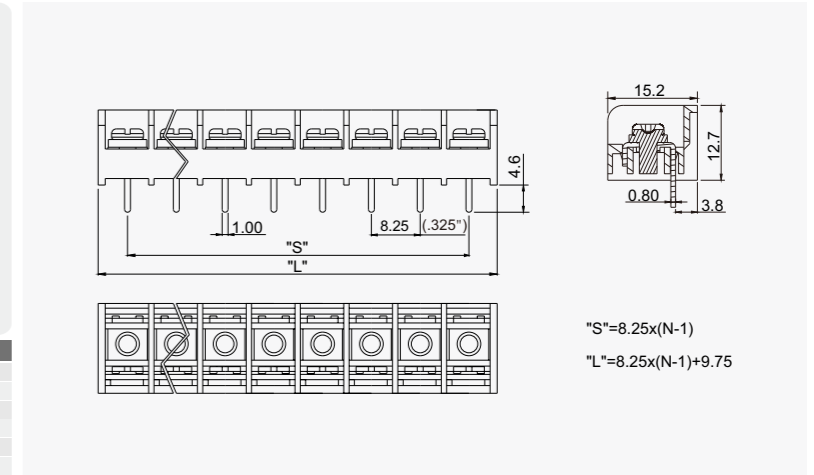
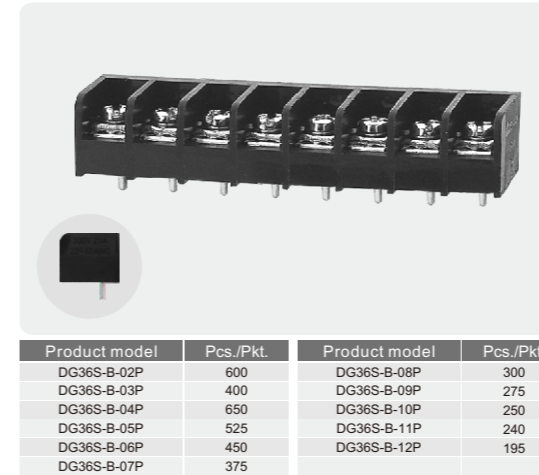


Electrical	電気性能	电气性能	UL1059 & CSA C22.2 NO.158		
Standard	安全規格	参考标准			
Use group	使用レベル	使用级别	B	C	D
Rated voltage	定格電圧	额定电压	300V	150V	300V
Rated current	定格電流	额定电流	20A	20A	10A
Wire range	電線径	导线线径	22-12AWG		
Ring/Fork terminals	丸型圧着端子 先開型圧着端子	预绝缘端子	0.2-2.5mm ² /22-14AWG 0.5-2.5mm ² /22-12AWG		
Withstanding voltage	耐電圧	耐电压	AC1600V/1Min		
Insulation Resistance	絶縁抵抗	绝缘阻抗	500MΩ/DC500V		
Mechanical	機械性能	机械性能			
Torque Value	ネジ締めトルク	锁紧扭力	0.5N.m (4.4Lb.In)		
Ambient temperature	環境温度	环境温度	-40°C~+105°C		
Stripping length	電線剥き長	剥线长度	7-8mm		
Dimensions	寸法	尺寸			
Pitch	ピッチ	间距	8.25mm (.325")		
Poles	極数	极数	DG □S-B-60-A	2P,3P,4P	
			DG □-B	2P-24P	
Material	材質及びメッキ	材质及电镀	PA66, UL94V-0		
Housing	本体	塑件			
Terminal	導電板	端子	Copper alloy, Tin Plated	銅合金, 錫メッキ	铜合金, 镀锡
Screws	結線ビス	螺丝	Steel, Ni Plated	鋼, ニッケルメッキ	钢, 镀锌
Other Data	他の情報	其他信息			
PCB Hole Diameter	PCB取付穴径	PCB板孔径	φ1.5mm		

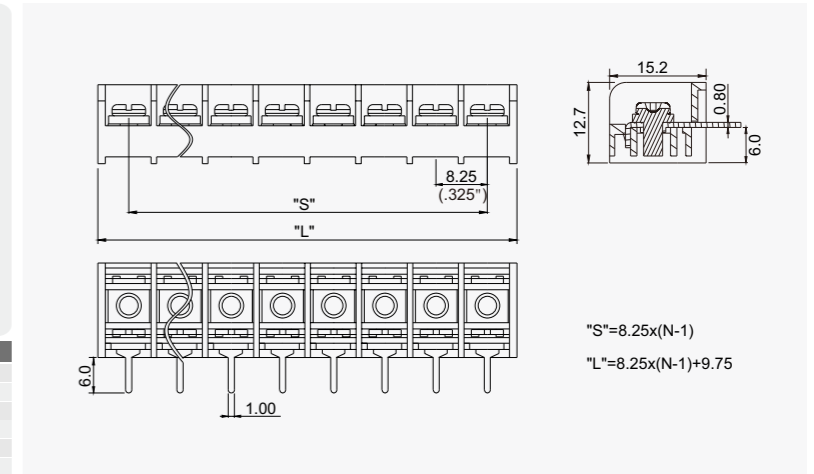
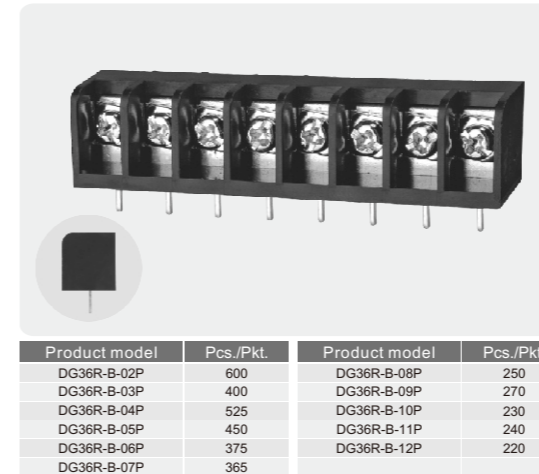
HOW TO ORDER 製品型番 订货方法



DG36S-B

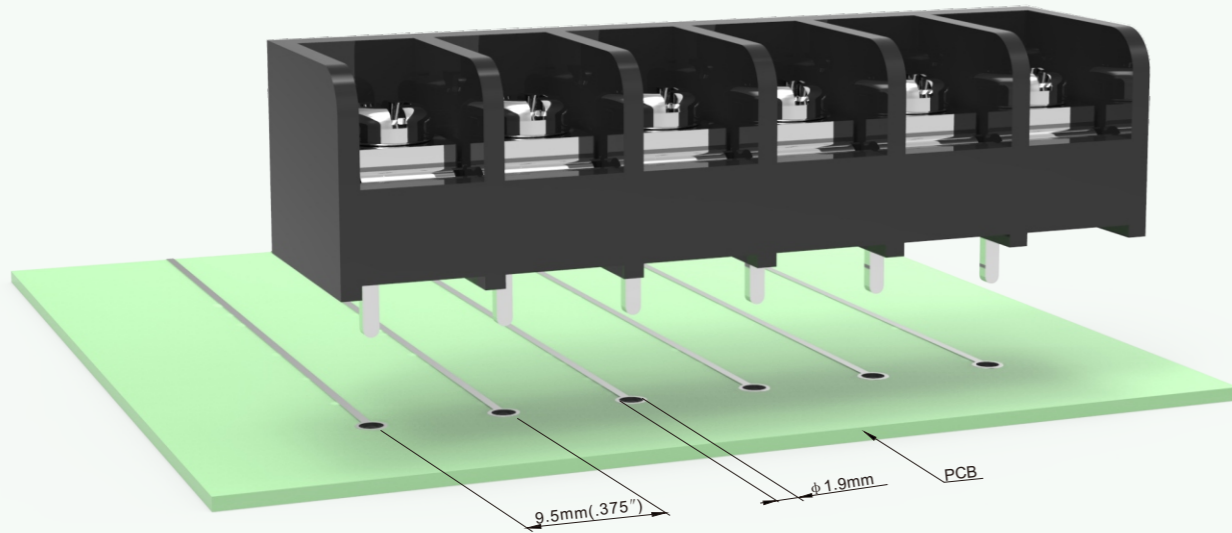


DG36R-B



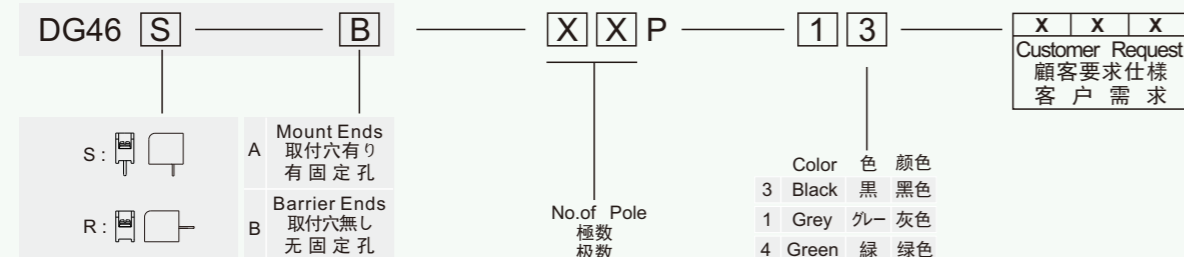
Poles	2	3	4	5	6	7	8	9	10
L	18.00mm(7.09")	26.25mm(1.033")	34.50mm(1.358")	42.75mm(1.683")	51.00mm(2.008")	59.25mm(2.333")	67.50mm(2.657")	75.75mm(3.048")	84.00mm(2.982")
S	8.25mm(.325")	16.50mm(.650")	24.75mm(.974")	33.00mm(1.299")	41.25mm(1.624")	49.50mm(1.949")	57.75mm(2.273")	66.00mm(2.598")	74.25mm(2.923")
Poles	11	12	13	14	15	16	17	18	19
L	92.25mm(3.632")	100.50mm(3.957")	108.75mm(4.281")	117.00mm(4.606")	125.25mm(4.931")	133.50mm(5.256")	141.75mm(5.581")	150.00mm(5.906")	158.25mm(6.230")
S	82.50mm(3.248")	90.75mm(3.573")	99.00mm(3.898")	107.25mm(4.222")	115.50mm(4.547")	123.75mm(4.872")	132.00mm(5.197")	140.25mm(5.522")	148.50mm(5.846")
Poles	20	21	22	23	24	25	26		
L	166.50mm(6.555")	174.75mm(6.880")	183.00mm(7.205")						
S	156.75mm(6.171")	165.00mm(6.496")	173.25mm(6.821")						

DG46

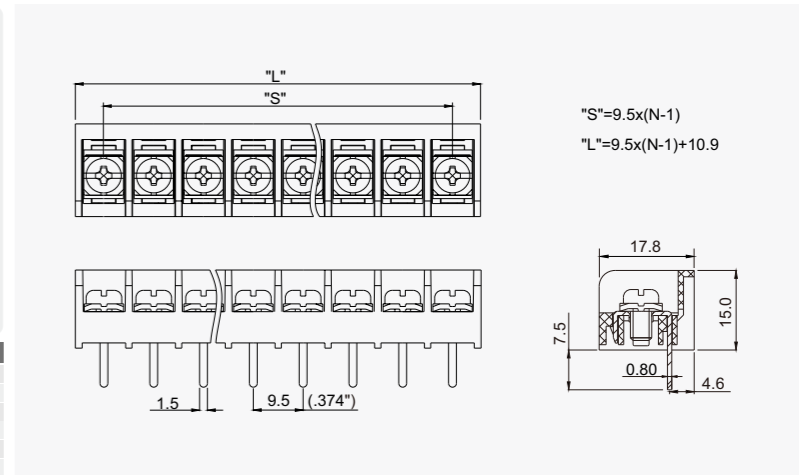
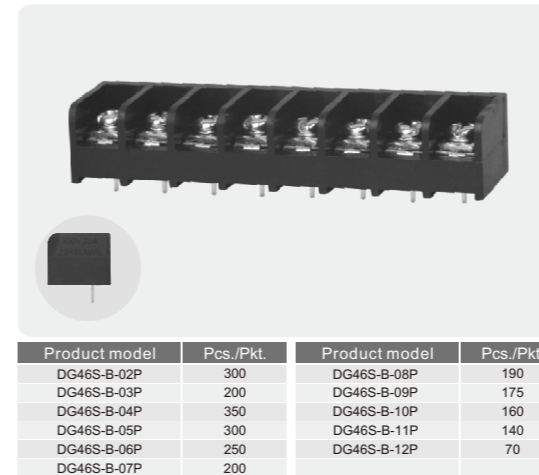


Electrical	電気性能	电气性能	UL 1059 & CSA C22.2 NO. 158		
Standard	安全規格	参考标准			
Use group	使用レベル	使用级别	B	C	D
Rated voltage	定格電圧	额定电压	300V	150V	300V
Rated current	定格電流	额定电流	30A	30A	10A
Wire range	電線径	导线线径	22-10AWG		
Ring/Fork terminals	丸型圧着端子 先開型圧着端子	预绝缘端子	0.5-2.5mm ² /22-14AWG 0.5-4.0mm ² /22-10AWG		
Withstanding voltage	耐電圧	耐电压	AC1600V/1Min		
Insulation Resistance	絶縁抵抗	绝缘阻抗	500MΩ/DC500V		
Mechanical	機械性能	机械性能			
Torque Value	ネジ締めトルク	锁紧扭力	1.2N.m (10.5Lb.In)		
Ambient temperature	環境温度	环境温度	-40°C~+105°C		
Stripping length	電線剥き長	剥线长度	8-9mm		
Dimensions	寸法	尺寸			
Pitch	ピッチ	间距	9.5mm (.374")		
Poles	極数	极数	DG□S-B-60-A	2P,3P	
			DG□-B	2P-26P	
Material	材質及びメッキ	材质及电镀	PA66, UL94V-0		
Housing	本体	塑件			
Terminal	導電板	端子	Copper alloy, Tin Plated	銅合金, 錫メッキ	铜合金, 镀锡
Screws	結線ビス	螺丝	Steel, Ni Plated	鋼, ニッケルメッキ	钢, 镀镍
Other Data	他の情報	其他信息			
PCB Hole Diameter	PCB取付穴径	PCB板孔径	φ1.9mm		

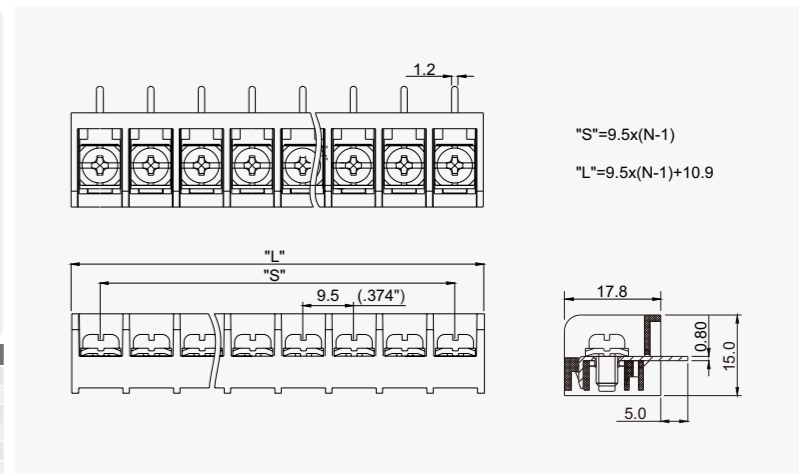
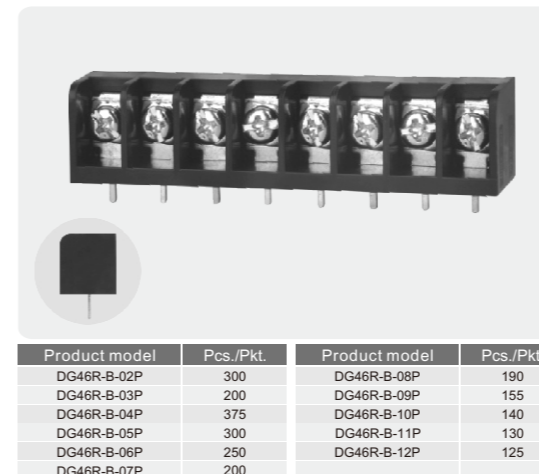
HOW TO ORDER 製品型番 订货方法



DG46S-B

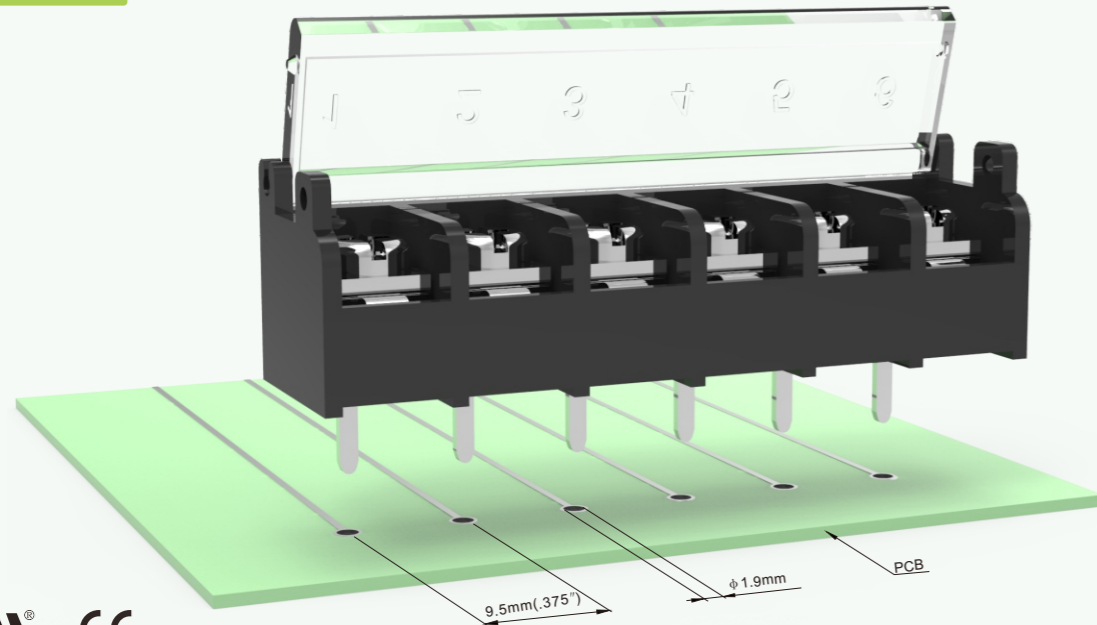


DG46R-B



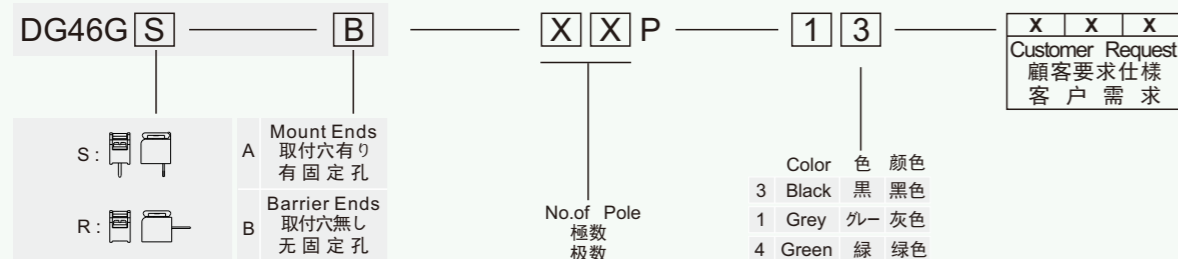
Poles	2	3	4	5	6	7	8	9	10
L	20.40mm(.803")	29.90mm(1.177")	39.40mm(1.551")	48.90mm(1.925")	58.40mm(2.299")	67.90mm(2.673")	77.40mm(3.047")	86.90mm(3.421")	96.40mm(3.795")
S	9.50mm(.374")	19.00mm(.748")	28.50mm(1.122")	38.00mm(1.496")	47.50mm(1.824")	57.00mm(2.244")	66.50mm(2.618")	76.00mm(2.992")	85.50mm(3.366")
Poles	11	12	13	14	15	16	17	18	19
L	105.90mm(4.169")	115.40mm(4.543")	124.90mm(4.917")	134.40mm(5.291")	143.90mm(5.665")	153.40mm(6.039")	162.90mm(6.413")	172.40mm(6.787")	181.90mm(7.161")
S	95.00mm(3.740")	104.50mm(4.114")	114.00mm(4.488")	123.50mm(4.862")	133.00mm(5.236")	142.50mm(5.610")	152.00mm(5.984")	161.50mm(6.358")	171.00mm(6.732")
Poles	20	21	22	23	24	25	26		
L	191.40mm(7.535")	200.90mm(7.909")	210.40mm(8.283")						
S	180.50mm(7.106")	190.00mm(7.480")	199.50mm(7.854")						

DG46G

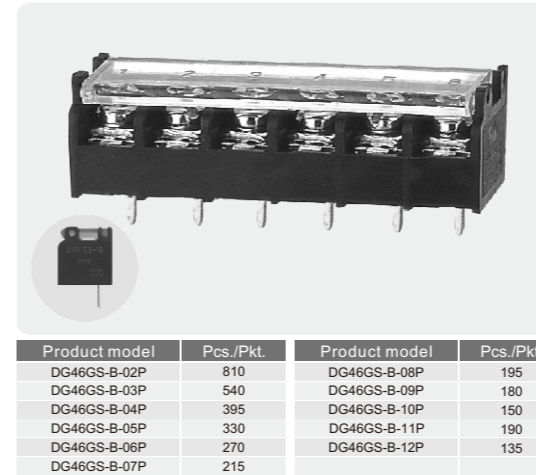


Electrical	電気性能	电气性能	UL1059 & CSA C22.2 NO.158		
Standard	安全規格	参考标准			
Use group	使用レベル	使用级别	B	C	D
Rated voltage	定格電圧	额定电压	300V	150V	300V
Rated current	定格電流	额定电流	20A	20A	10A
Wire range	電線径	导线线径	22-12AWG		
Ring/Fork terminals	丸型圧着端子 先開型圧着端子	预绝缘端子	0.2-2.5mm ² /22-14AWG 0.5-4.0mm ² /22-12AWG		
Withstanding voltage	耐電圧	耐电压	AC1600V/1Min		
Insulation Resistance	絶縁抵抗	绝缘阻抗	500MΩ/DC500V		
Mechanical	機械性能	机械性能			
Torque Value	ネジ締めトルク	锁紧扭力	1.2N.m (10.5Lb.In)		
Ambient temperature	環境温度	环境温度	-40°C~+105°C		
Stripping length	電線剥き長	剥线长度	8-9mm		
Dimensions	寸法	尺寸			
Pitch	ピッチ	间距	9.5mm (.374")		
Poles	極数	极数	2P-12P		
Material	材質及びメッキ	材质及电镀	PA66, UL94V-0		
Housing	本体	塑件			
Terminal	導電板	端子	Copper alloy, Tin Plated	銅合金, 錫メッキ	铜合金, 镀锡
Screws	結線ビス	螺丝	Steel, Ni Plated	鋼, ニッケルメッキ	钢, 镀锌
Other Data	他の情報	其他信息			
PCB Hole Diameter	PCB取付孔径	PCB板孔径	φ1.9mm		

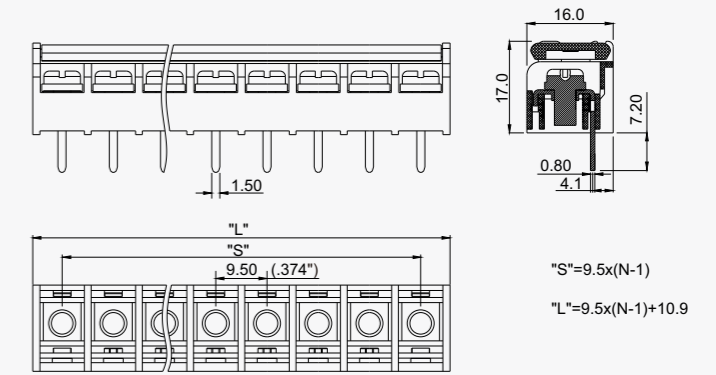
HOW TO ORDER 製品型番 订货方法



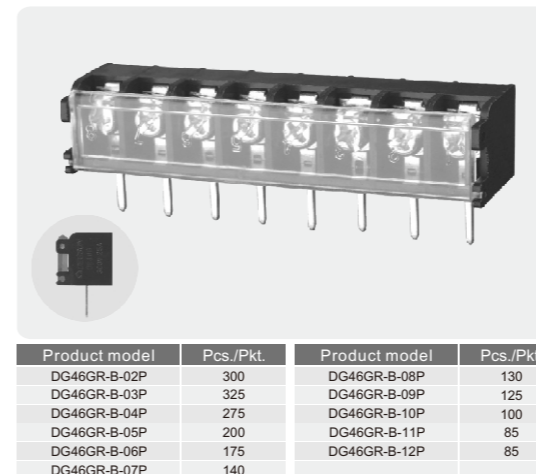
DG46GS-B



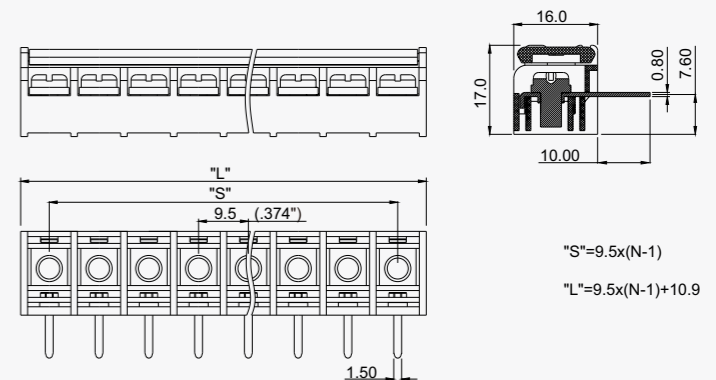
Product model	Pcs./Pkt.	Product model	Pcs./Pkt.
DG46GS-B-02P	810	DG46GS-B-08P	195
DG46GS-B-03P	540	DG46GS-B-09P	180
DG46GS-B-04P	395	DG46GS-B-10P	150
DG46GS-B-05P	330	DG46GS-B-11P	190
DG46GS-B-06P	270	DG46GS-B-12P	135
DG46GS-B-07P	215		



DG46GR-B

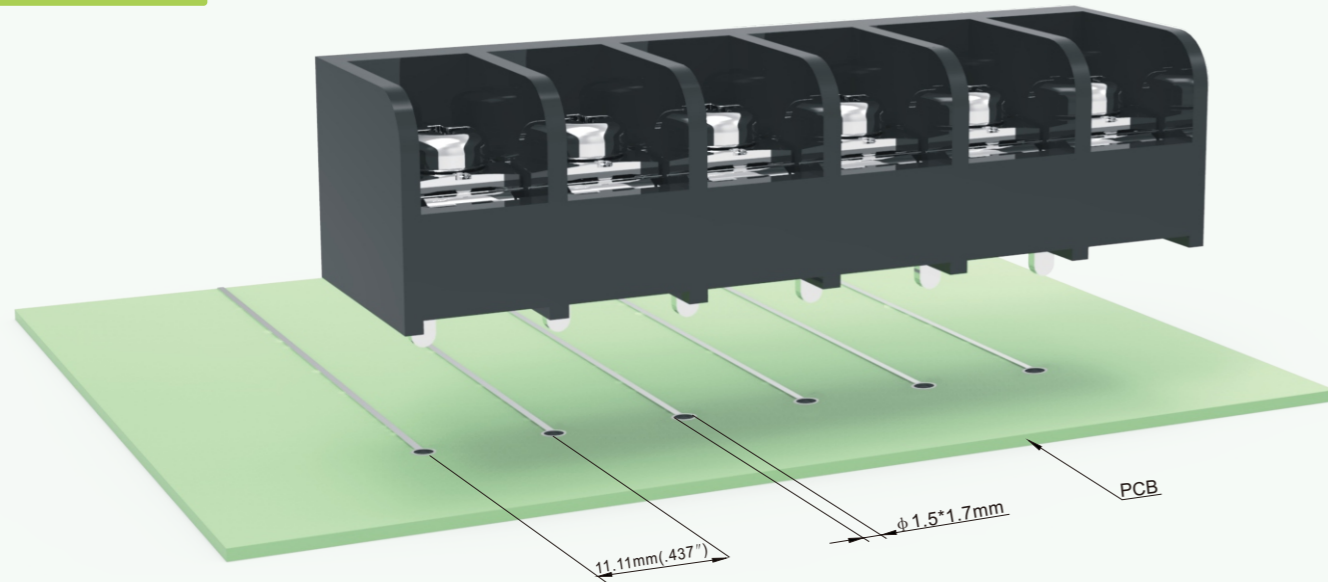


Product model	Pcs./Pkt.	Product model	Pcs./Pkt.
DG46GR-B-02P	300	DG46GR-B-08P	130
DG46GR-B-03P	325	DG46GR-B-09P	125
DG46GR-B-04P	275	DG46GR-B-10P	100
DG46GR-B-05P	200	DG46GR-B-11P	85
DG46GR-B-06P	175	DG46GR-B-12P	85
DG46GR-B-07P	140		



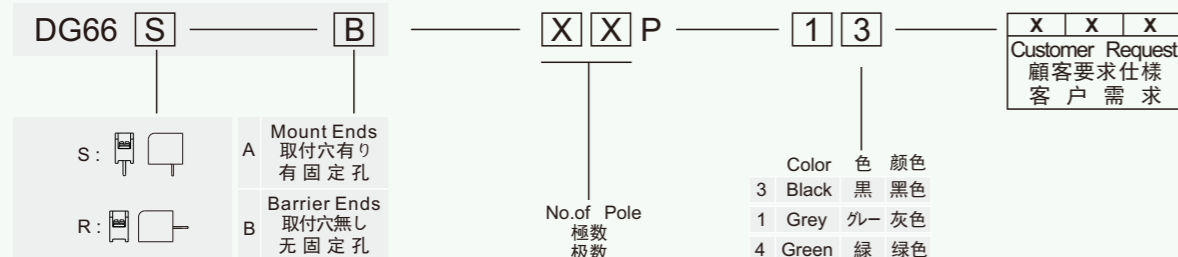
Poles	2	3	4	5	6	7	8	9	10
L	20.40mm(.803")	29.90mm(1.177")	39.40mm(1.551")	48.90mm(1.925")	58.40mm(2.299")	67.90mm(2.673")	77.40mm(3.047")	86.90mm(3.421")	96.40mm(3.795")
S	9.50mm(.374")	19.00mm(.748")	28.50mm(1.122")	38.00mm(1.496")	47.50mm(1.624")	57.00mm(2.244")	66.50mm(2.618")	76.00mm(2.992")	85.50mm(3.366")
Poles	11	12	13	14	15	16	17	18	19
L	105.90mm(4.169")	115.40mm(4.543")							
S	95.00mm(3.740")	104.50mm(4.114")							

DG66

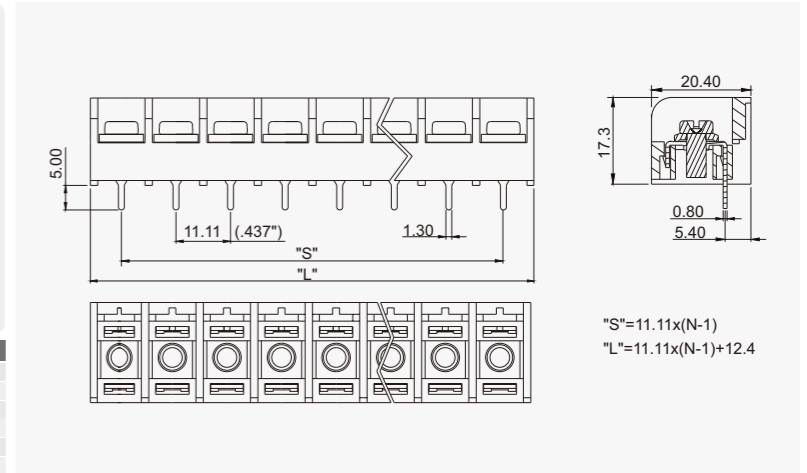
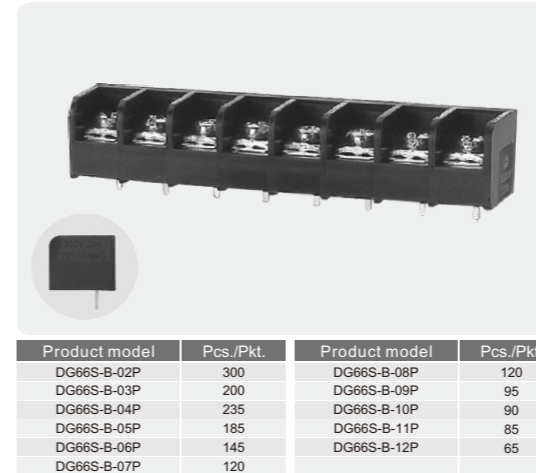


Electrical	電気性能	电气性能	UL1059 & CSA C22.2 NO.158		
Standard	安全規格	参考标准			
Use group	使用レベル	使用级别	B	C	D
Rated voltage	定格電圧	额定电压	300V	150V	300V
Rated current	定格電流	额定电流	30A	30A	10A
Wire range	電線径	导线线径	22-10AWG		
Ring/Fork terminals	丸型圧着端子 先開型圧着端子	预绝缘端子 预绝缘端子	0.2-4.0mm ² /22-10AWG 0.5-4.0mm ² /22-10AWG		
Withstanding voltage	耐電圧	耐电压	AC1600V/1Min		
Insulation Resistance	絶縁抵抗	绝缘电阻	500MΩ/DC500V		
Mechanical	機械性能	机械性能			
Torque Value	ネジ締めトルク	锁紧扭力	1.2N.m (10.5Lb.In)		
Ambient temperature	環境温度	环境温度	-40°C~+105°C		
Stripping length	電線剥き長	剥线长度	9-10mm		
Dimensions	寸法	尺寸			
Pitch	ピッチ	间距	11.11mm(.437")		
Poles	極数	极数	2P-26P		
Material	材質及びメッキ	材质及电镀	PA66, UL94V-0		
Housing	本体	塑件	Copper alloy, Tin Plated		
Terminal	導電板	端子	銅合金, 錫メッキ	鋼合金, 鍍錫	
Screws	結線ビス	螺丝	Steel, Ni Plated	鋼, ニッケルメッキ	鋼, 鍍銀
Other Data	他の情報	其他信息			
PCB Hole Diameter	PCB取付穴径	PCB板孔径	φ1.5*1.7mm		

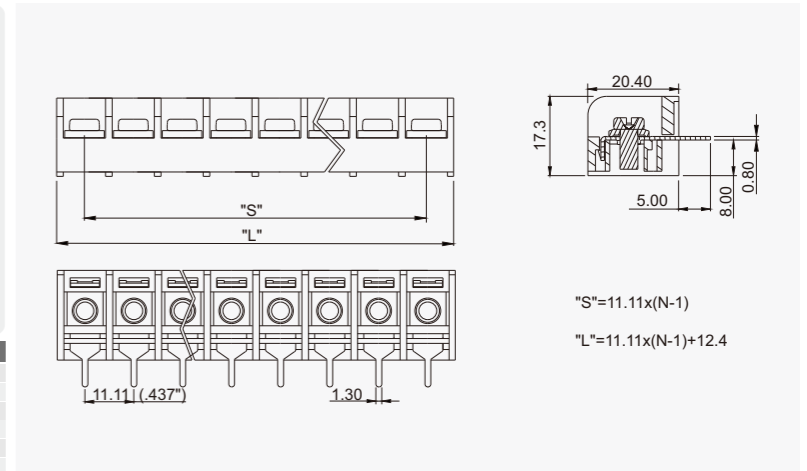
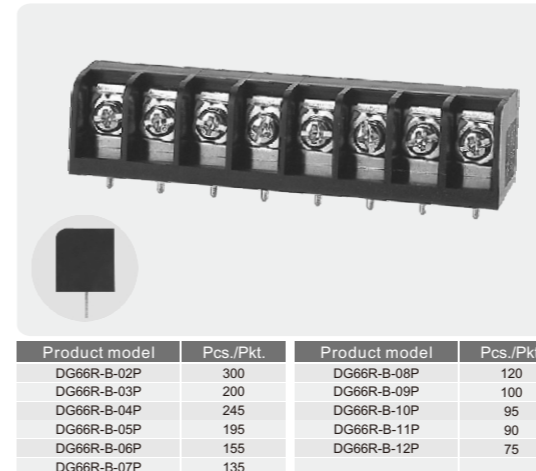
HOW TO ORDER 製品型番 订货方法



DG66S-B

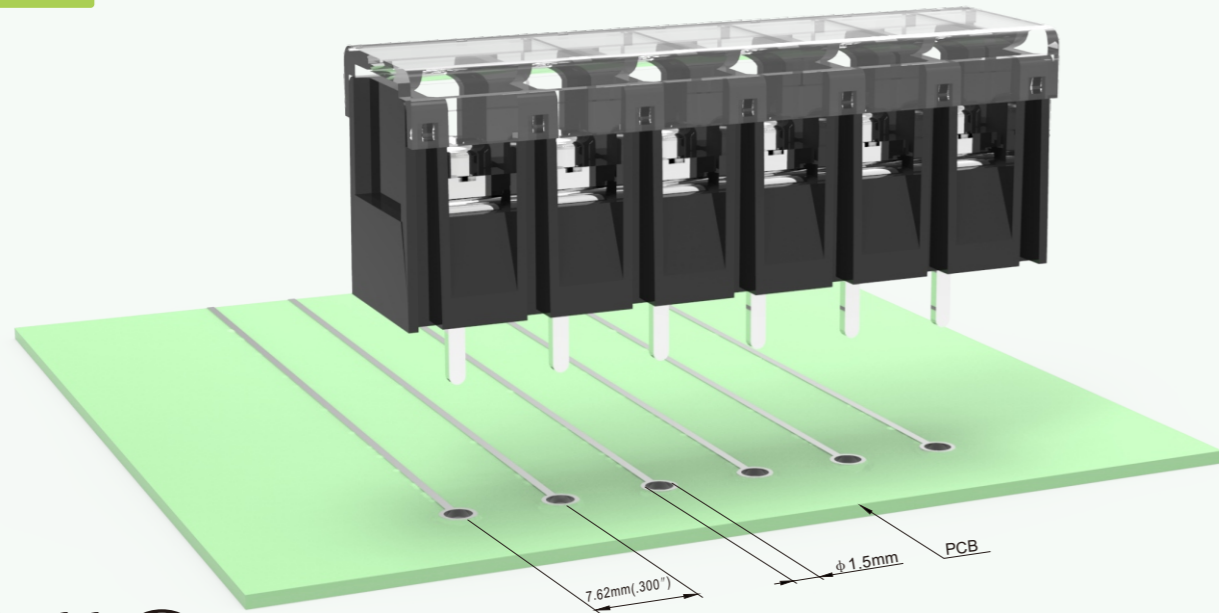


DG66R-B



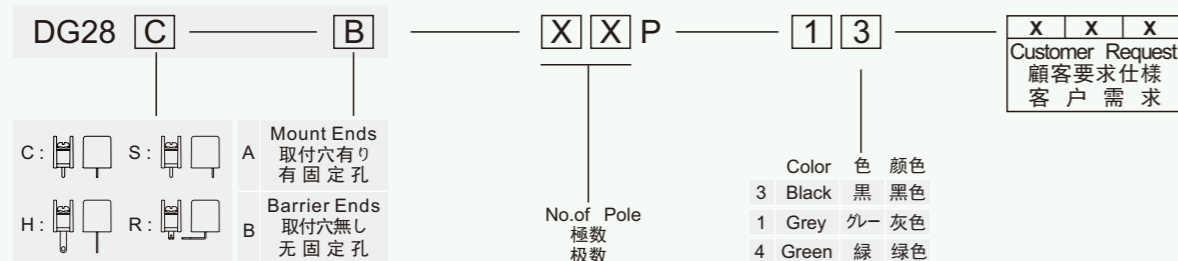
Poles	2	3	4	5	6	7	8	9	10
L	23.51mm(.926")	34.62mm(1.363")	45.73mm(1.800")	56.84mm(2.238")	67.95mm(2.675")	79.06mm(3.113")	90.17mm(3.550")	101.28mm(3.987")	112.39mm(4.425")
S	11.11mm(.437")	22.22mm(.875")	33.33mm(1.312")	44.44mm(1.750")	55.55mm(2.187")	66.66mm(2.624")	77.77mm(3.062")	88.88mm(3.499")	99.99mm(3.937")
Poles	11	12	13	14	15	16	17	18	19
L	123.50mm(4.862")	134.61mm(5.300")							
S	111.10mm(4.374")	122.21mm(4.811")							

DG28

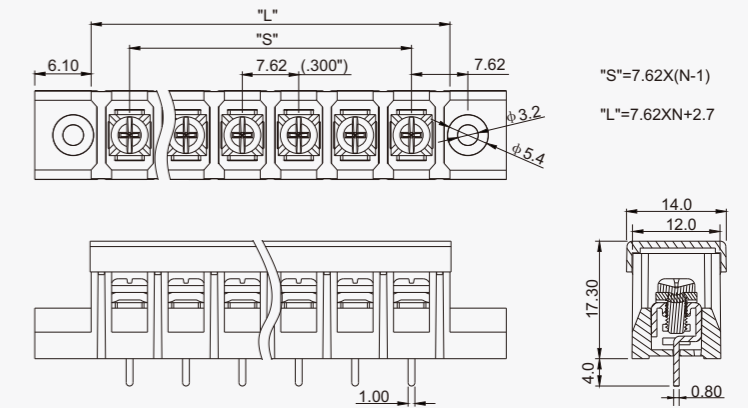
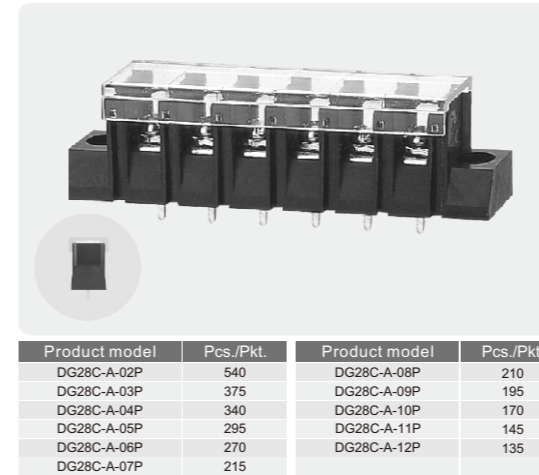


Electrical	電気性能	电气性能	UL1059 & CSA C22.2 NO.158		
Standard	安全規格	参考标准			
Use group	使用レベル	使用级别	B	C	D
Rated voltage	定格電圧	额定电压	300V	300V	300V
Rated current	定格電流	额定电流	15A	15A	10A
Wire range	電線径	导线线径	22-14AWG		
Ring/Fork terminals	丸型圧着端子 先開型圧着端子	预绝缘端子	-		
Withstanding voltage	耐電圧	耐电压	AC1600V/1Min		
Insulation Resistance	絶縁抵抗	绝缘阻抗	500MΩ/DC500V		
Mechanical	機械性能	机械性能			
Torque Value	ネジ締めトルク	锁紧扭力	0.5N.m (4.4Lb.In)		
Ambient temperature	環境温度	环境温度	-40°C~+105°C		
Stripping length	電線剥き長	剥线长度	7-8mm		
Dimensions	寸法	尺寸			
Pitch	ピッチ	间距	7.62mm (.300")		
Poles	極数	极数	DG□-A	2P-24P	
			DG□-B	2P-26P	
Material	材質及びメッキ	材质及电镀	PA66+GF, UL94V-0		
Housing	本体	塑件			
Terminal	導電板	端子	Copper alloy, Tin Plated	銅合金, 錫メッキ	铜合金, 镀锡
Screws	結線ビス	螺丝	Steel, Ni Plated	鋼, ニッケルメッキ	钢, 镀锌
Other Data	他の情報	其他信息			
PCB Hole Diameter	PCB取付穴径	PCB板孔径	φ1.5mm		

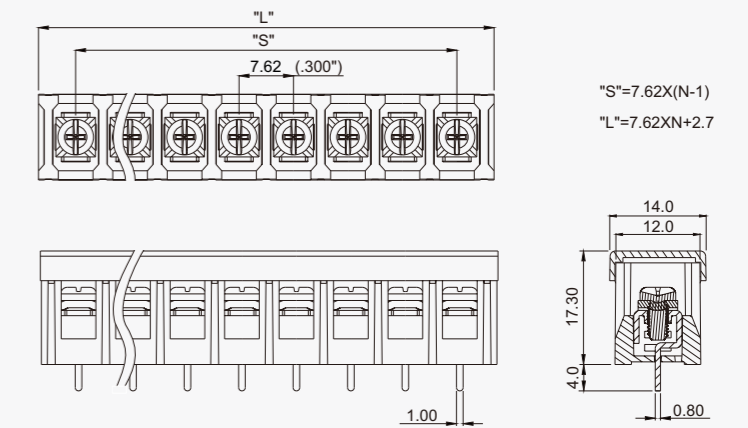
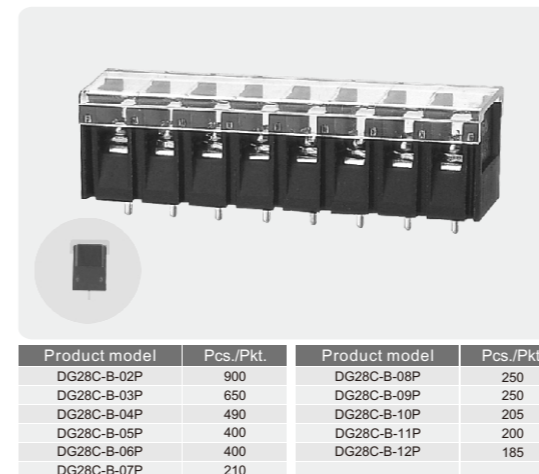
HOW TO ORDER 製品型番 订货方法



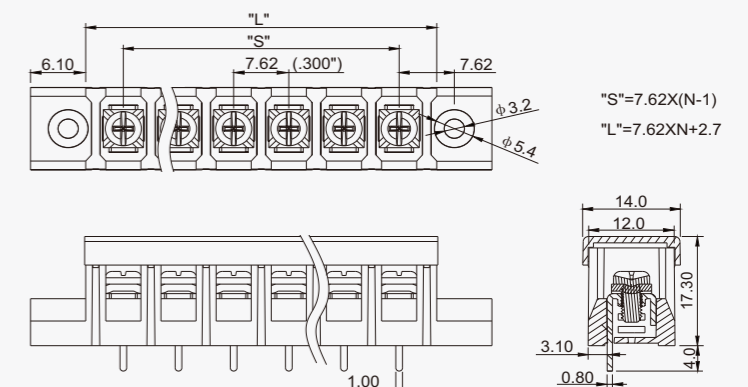
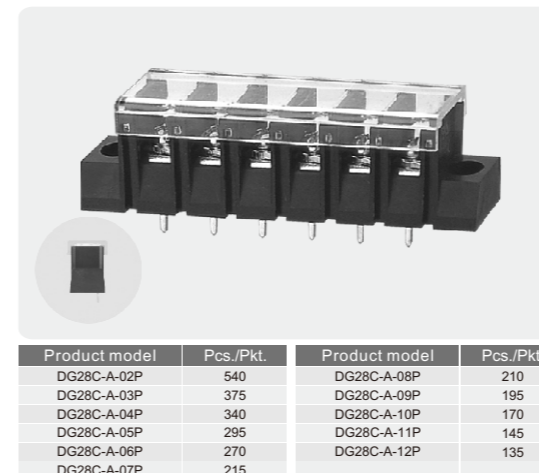
DG28C-A



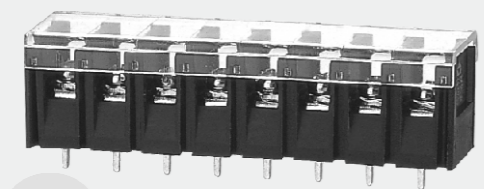
DG28C-B



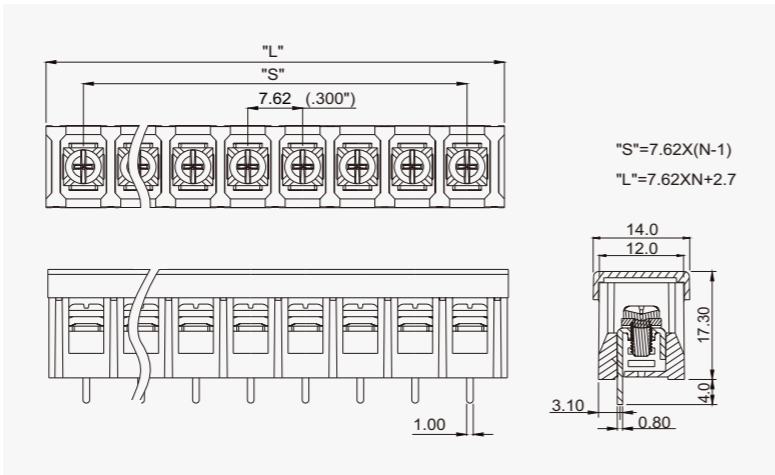
DG28S-A



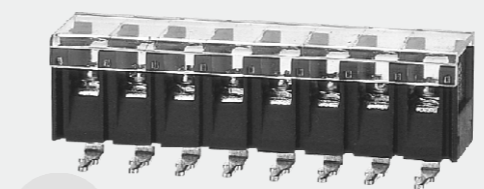
DG28S-B



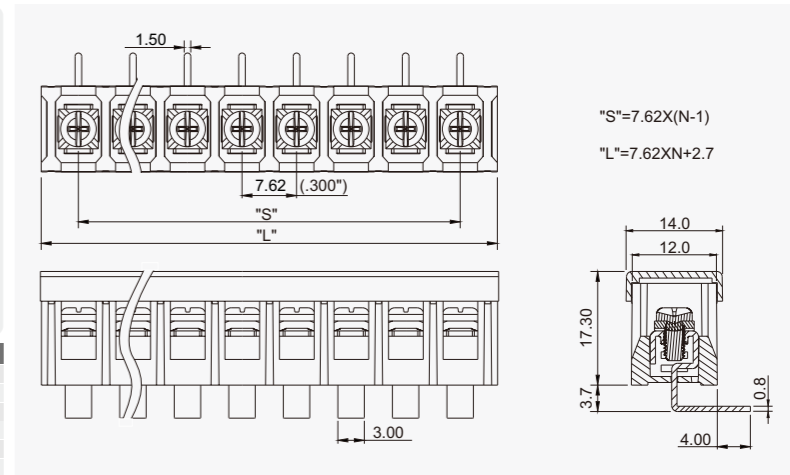
Product model	Pcs./Pkt.	Product model	Pcs./Pkt.
DG28S-B-02P	920	DG28S-B-08P	270
DG28S-B-03P	650	DG28S-B-09P	220
DG28S-B-04P	475	DG28S-B-10P	205
DG28S-B-05P	410	DG28S-B-11P	195
DG28S-B-06P	325	DG28S-B-12P	170
DG28S-B-07P	290		




DG28R-B



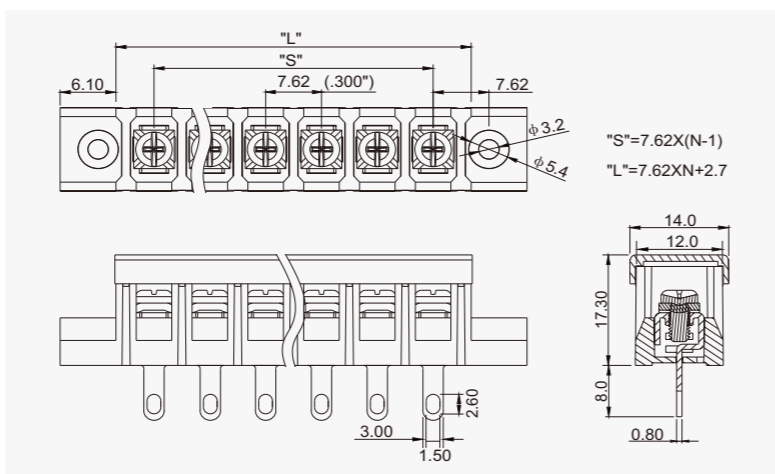
Product model	Pcs./Pkt.	Product model	Pcs./Pkt.
DG28R-B-02P	900	DG28R-B-08P	250
DG28R-B-03P	650	DG28R-B-09P	240
DG28R-B-04P	500	DG28R-B-10P	200
DG28R-B-05P	375	DG28R-B-11P	195
DG28R-B-06P	325	DG28R-B-12P	190
DG28R-B-07P	275		




DG28H-A



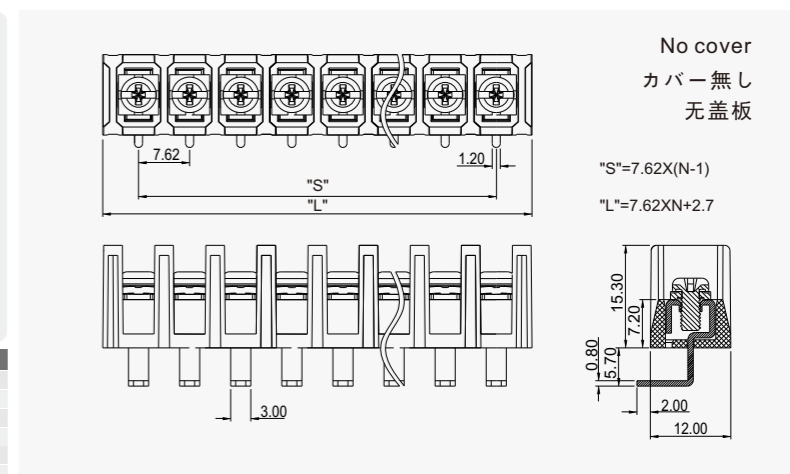
Product model	Pcs./Pkt.	Product model	Pcs./Pkt.
DG28H-A-02P	500	DG28H-A-08P	215
DG28H-A-03P	400	DG28H-A-09P	190
DG28H-A-04P	340	DG28H-A-10P	165
DG28H-A-05P	275	DG28H-A-11P	160
DG28H-A-06P	275	DG28H-A-12P	130
DG28H-A-07P	225		




DG28R-B-XXP-1Y-16AH



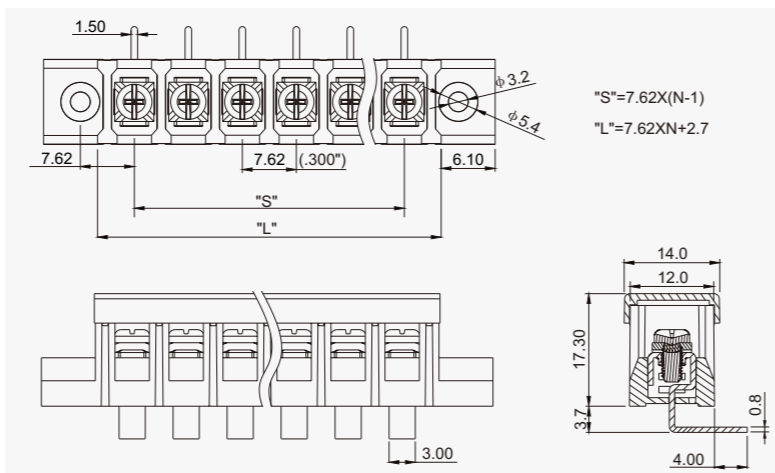
Product model	Pcs./Pkt.	Product model	Pcs./Pkt.
DG28R-B-02P	900	DG28R-B-08P	250
DG28R-B-03P	650	DG28R-B-09P	240
DG28R-B-04P	500	DG28R-B-10P	200
DG28R-B-05P	375	DG28R-B-11P	195
DG28R-B-06P	325	DG28R-B-12P	190
DG28R-B-07P	275		



DG28R-A

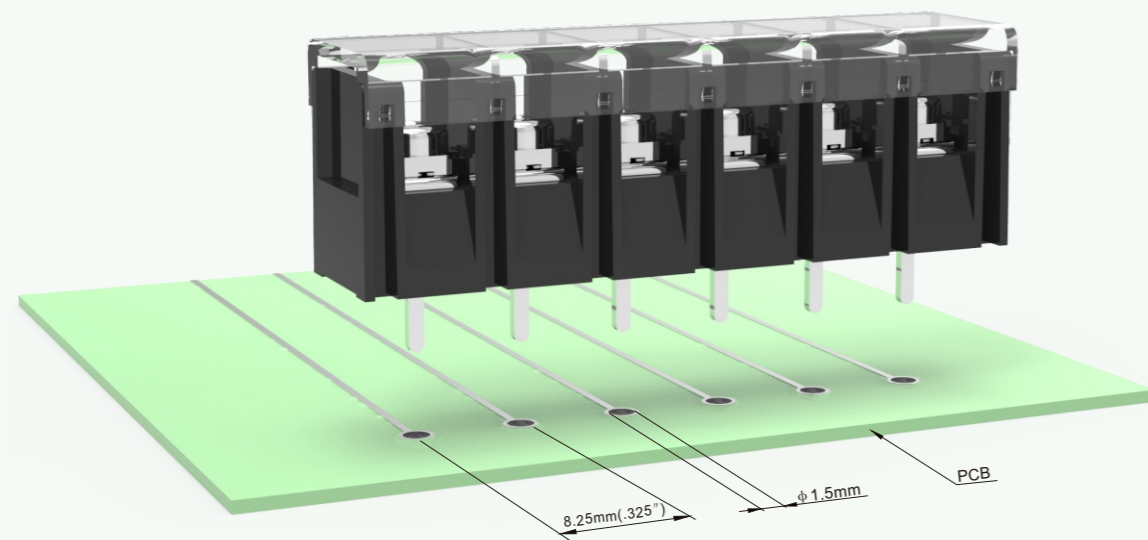


Product model	Pcs./Pkt.	Product model	Pcs./Pkt.
DG28R-A-02P	540	DG28R-A-08P	210
DG28R-A-03P	430	DG28R-A-09P	190
DG28R-A-04P	350	DG28R-A-10P	190
DG28R-A-05P	300	DG28R-A-11P	180
DG28R-A-06P	275	DG28R-A-12P	155
DG28R-A-07P	230		



Poles	2	3	4	5	6	7	8	9	10
L	18.29mm(7.20")	25.91mm(1.020")	33.53mm(1.320")	41.15mm(1.620")	48.77mm(1.920")	56.39mm(2.220")	64.01mm(2.520")	71.63mm(2.820")	79.25mm(3.120")
S	7.62mm(.300")	15.24mm(.600")	22.86mm(.900")	30.48mm(1.200")	38.10mm(1.500")	45.72mm(1.800")	53.34mm(2.100")	60.96mm(2.400")	68.58mm(2.700")
Poles	11	12	13	14	15	16	17	18	19
L	86.87mm(3.420")	94.49mm(3.720")	102.11mm(4.020")	109.73mm(4.320")	117.35mm(4.620")	124.97mm(4.920")	132.59mm(5.220")	140.21mm(5.520")	147.83mm(5.820")
S	76.20mm(3.000")	83.82mm(3.300")	91.44mm(3.600")	99.06mm(3.900")	106.68mm(4.200")	114.30mm(4.500")	121.92mm(4.800")	129.54mm(5.100")	137.16mm(5.400")
Poles	20	21	22	23	24	25	26		
L	155.45mm(6.120")	163.07mm(6.420")	170.69mm(6.720")	178.31mm(7.020")	185.93mm(7.320")	193.55mm(7.620")	201.17mm(7.920")		
S	144.78mm(5.700")	152.40mm(6.000")	160.02mm(6.200")	167.64mm(6.600")	175.26mm(6.900")	182.88mm(7.200")	190.50mm(7.500")		

DG38



Electrical	電気性能	电气性能	UL1059 & CSA C22.2 NO.158		
Standard	安全規格	参考标准			
Use group	使用レベル	使用级别	B	C	D
Rated voltage	定格電圧	额定电压	300V	150V	300V
Rated current	定格電流	额定电流	15A	15A	10A
Wire range	電線径	导线线径	22-14AWG		
Ring/Fork terminals	丸型圧着端子 先開型圧着端子	预绝缘端子	-		
Withstanding voltage	耐電圧	耐电压	AC1600V/1Min		
Insulation Resistance	絶縁抵抗	绝缘阻抗	500MΩ/DC500V		
Mechanical	機械性能	机械性能			
Torque Value	ネジ締めトルク	锁紧扭力	0.5N.m (4.4Lb.In)		
Ambient temperature	環境温度	环境温度	-40°C~+105°C		
Stripping length	電線剥き長	剥线长度	7-8mm		
Dimensions	寸法	尺寸			
Pitch	ピッチ	间距	8.25mm (.325")		
Poles	極数	极数	DG□-A	2P-24P	
			DG□-B	2P-26P	
Material	材質及びメッキ	材质及电镀	PA66+GF, UL94V-0		
Housing	本体	塑件			
Terminal	導電板	端子	Copper alloy, Tin Plated	銅合金, 錫メッキ	铜合金, 镀锡
Screws	結線ビス	螺丝	Steel, Ni Plated	鋼, ニッケルメッキ	钢, 镀锌
Other Data	他の情報	其他信息			
PCB Hole Diameter	PCB取付穴径	PCB板孔径	φ1.5mm		

HOW TO ORDER 製品型番 订货方法

DG38 **C** **B** **X X P** **1 3** **X X X**

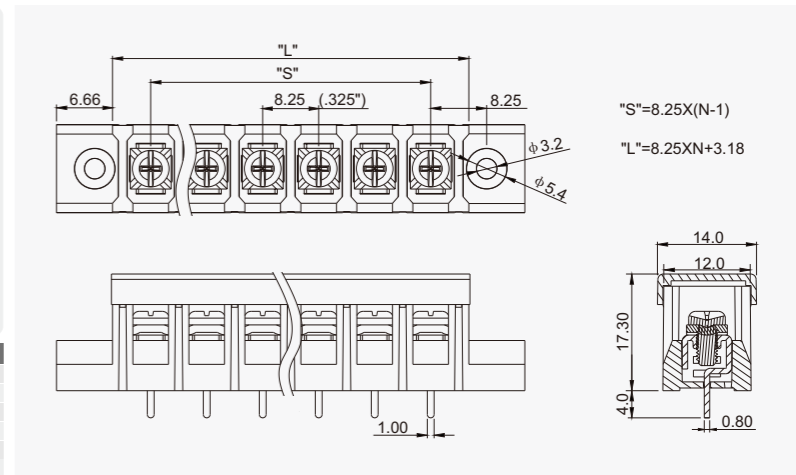
Customer Request 顧客要求仕様 客户需求

C: S: A: Mount Ends 取付穴有り 有固定孔
 H: R: B: Barrier Ends 取付穴無し 无固定孔

No. of 極数 极数
 Color 色 颜色
 3 Black 黒 黑色
 1 Grey グレー 灰色
 4 Green 緑 绿色

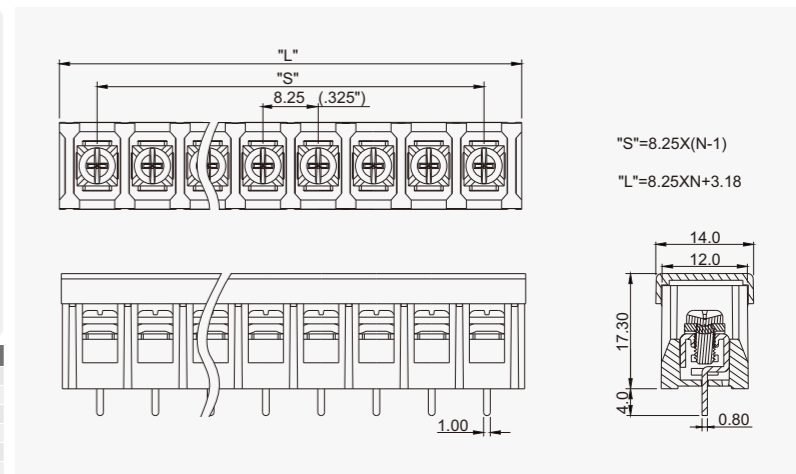
DG38C-A

Product model	Pcs./Pkt.	Product model	Pcs./Pkt.
DG38C-A-02P	500	DG38C-A-08P	200
DG38C-A-03P	400	DG38C-A-09P	170
DG38C-A-04P	340	DG38C-A-10P	170
DG38C-A-05P	280	DG38C-A-11P	130
DG38C-A-06P	300	DG38C-A-12P	130
DG38C-A-07P	200		



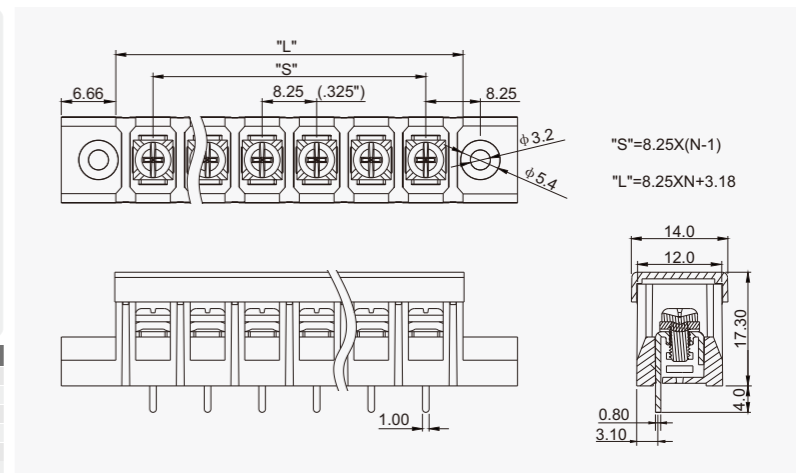
DG38C-B

Product model	Pcs./Pkt.	Product model	Pcs./Pkt.
DG38C-B-02P	850	DG38C-B-08P	225
DG38C-B-03P	595	DG38C-B-09P	210
DG38C-B-04P	455	DG38C-B-10P	190
DG38C-B-05P	350	DG38C-B-11P	175
DG38C-B-06P	300	DG38C-B-12P	140
DG38C-B-07P	270		

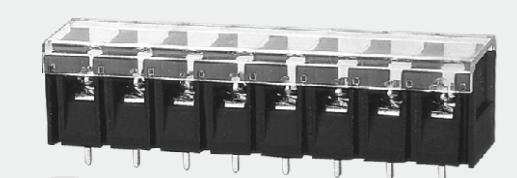


DG38S-A

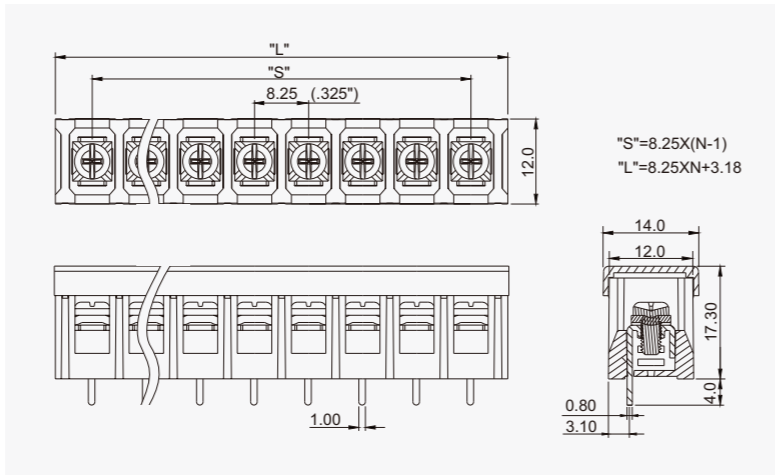
Product model	Pcs./Pkt.	Product model	Pcs./Pkt.
DG38S-A-02P	850	DG38S-A-08P	300
DG38S-A-03P	850	DG38S-A-09P	225
DG38S-A-04P	595	DG38S-A-10P	190
DG38S-A-05P	455	DG38S-A-11P	210
DG38S-A-06P	350	DG38S-A-12P	175
DG38S-A-07P	270		




DG38S-B



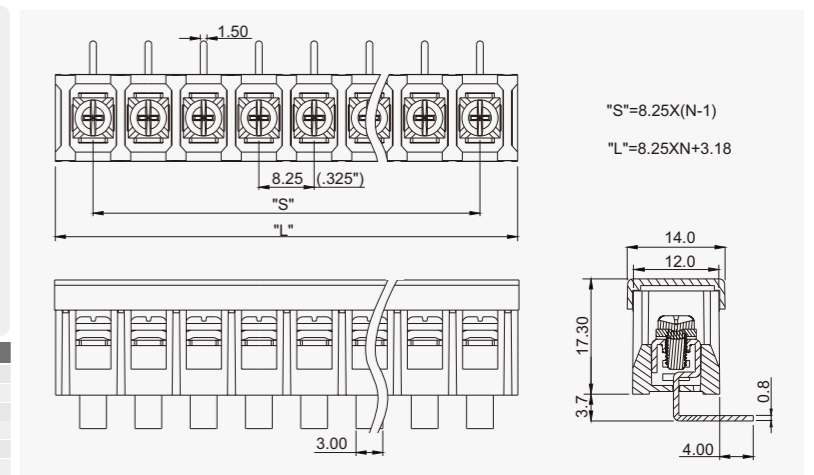
Product model	Pcs./Pkt.	Product model	Pcs./Pkt.
DG38S-B-02P	850	DG38S-B-08P	300
DG38S-B-03P	850	DG38S-B-09P	225
DG38S-B-04P	595	DG38S-B-10P	190
DG38S-B-05P	455	DG38S-B-11P	210
DG38S-B-06P	350	DG38S-B-12P	175
DG38S-B-07P	270		



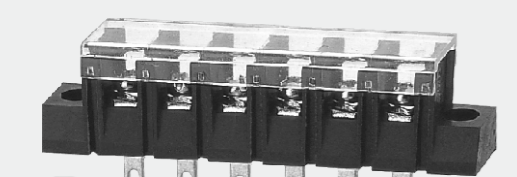
DG38R-B



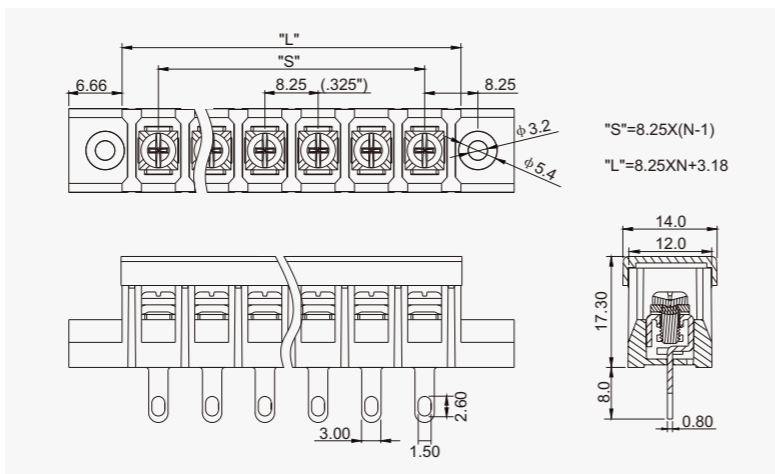
Product model	Pcs./Pkt.	Product model	Pcs./Pkt.
DG38R-B-02P	850	DG38R-B-08P	300
DG38R-B-03P	850	DG38R-B-09P	225
DG38R-B-04P	595	DG38R-B-10P	190
DG38R-B-05P	455	DG38R-B-11P	210
DG38R-B-06P	350	DG38R-B-12P	175
DG38R-B-07P	270		



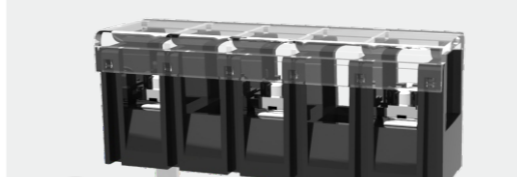
DG38H-A



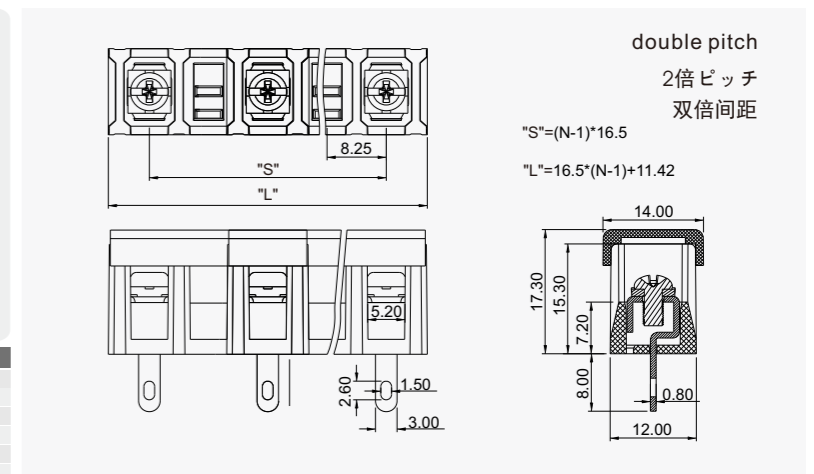
Product model	Pcs./Pkt.	Product model	Pcs./Pkt.
DG38H-A-02P	500	DG38H-A-08P	200
DG38H-A-03P	400	DG38H-A-09P	170
DG38H-A-04P	340	DG38H-A-10P	170
DG38H-A-05P	280	DG38H-A-11P	130
DG38H-A-06P	250	DG38H-A-12P	120
DG38H-A-07P	200		



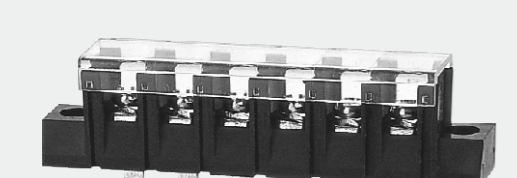
DG38H-B



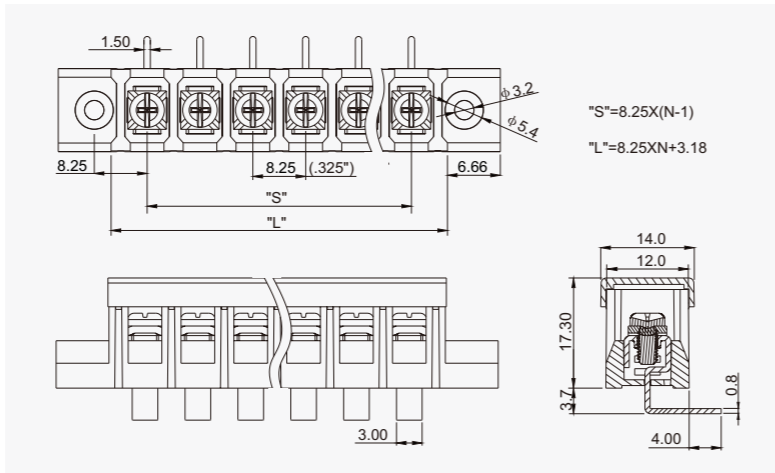
Product model	Pcs./Pkt.	Product model	Pcs./Pkt.
DG38H-B-02P	850	DG38H-B-08P	225
DG38H-B-03P	595	DG38H-B-09P	210
DG38H-B-04P	455	DG38H-B-10P	190
DG38H-B-05P	350	DG38H-B-11P	175
DG38H-B-06P	300	DG38H-B-12P	140
DG38H-B-07P	270		



DG38R-A

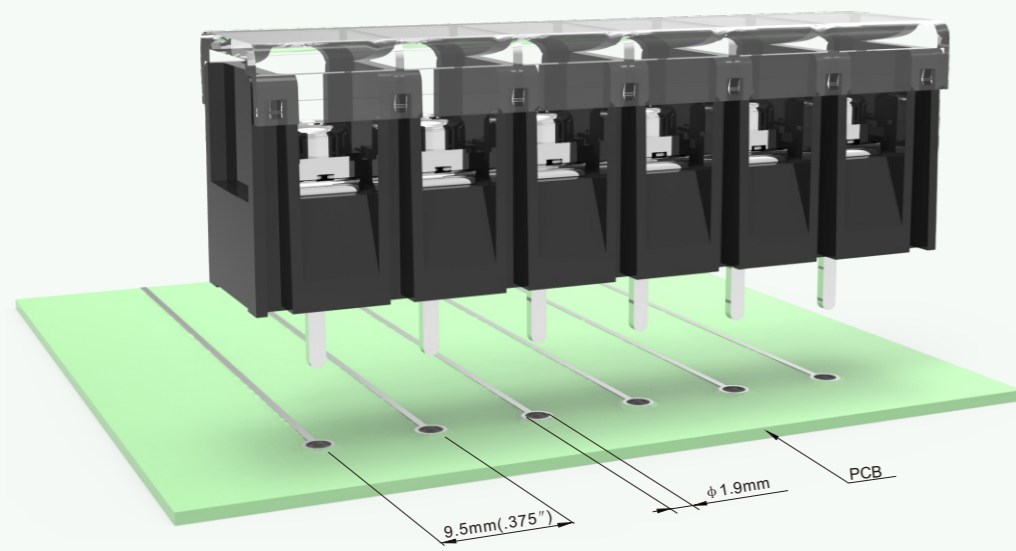


Product model	Pcs./Pkt.	Product model	Pcs./Pkt.
DG38R-A-02P	500	DG38R-A-08P	200
DG38R-A-03P	400	DG38R-A-09P	170
DG38R-A-04P	340	DG38R-A-10P	170
DG38R-A-05P	280	DG38R-A-11P	130
DG38R-A-06P	250	DG38R-A-12P	120
DG38R-A-07P	200		



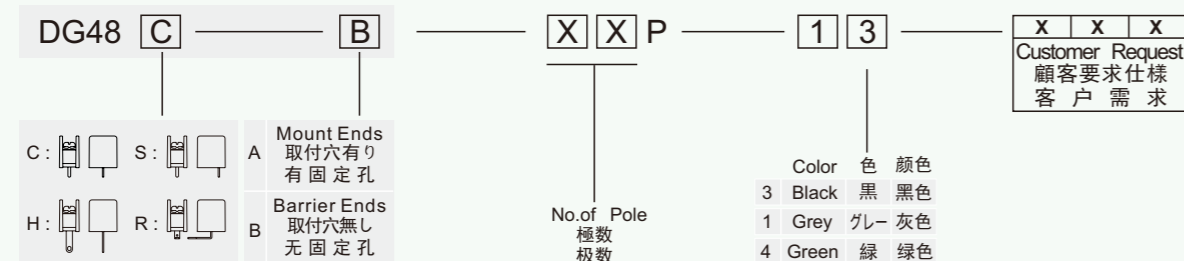
Poles	2	3	4	5	6	7	8	9	10
L	19.68mm(7.75")	27.93mm(1.100")	36.18mm(1.424")	44.43mm(1.749")	52.68mm(2.074")	60.93mm(2.399")	69.18mm(2.724")	77.43mm(3.048")	85.68mm(3.373")
S	8.25mm(.325")	16.50mm(.650")	24.75mm(.974")	33.00mm(1.299")	41.25mm(1.624")	49.50mm(1.949")	57.75mm(2.273")	66.00mm(2.598")	74.25mm(2.923")
Poles	11	12	13	14	15	16	17	18	19
L	93.93mm(3.698")	102.18mm(4.023")	110.43mm(4.347")	118.68mm(4.672")	126.93mm(4.997")	135.18mm(5.322")	143.43mm(5.647")	151.68mm(5.972")	159.93mm(6.296")
S	82.50mm(3.248")	90.75mm(3.573")	99.00mm(3.898")	107.25mm(4.222")	115.50mm(4.547")	123.75mm(4.872")	132.00mm(5.197")	140.25mm(5.522")	148.50mm(5.846")
Poles	20	21	22	23	24	25	26		
L	168.18mm(6.621")	176.43mm(6.946")	184.68mm(7.271")	192.93mm(7.596")	201.18mm(7.920")	209.43mm(8.245")	217.68mm(8.570")		
S	156.75mm(6.171")	165.00mm(6.496")	173.25mm(6.821")	181.50mm(7.146")	189.75mm(7.470")	198.00mm(7.795")	206.25mm(8.120")		

DG48

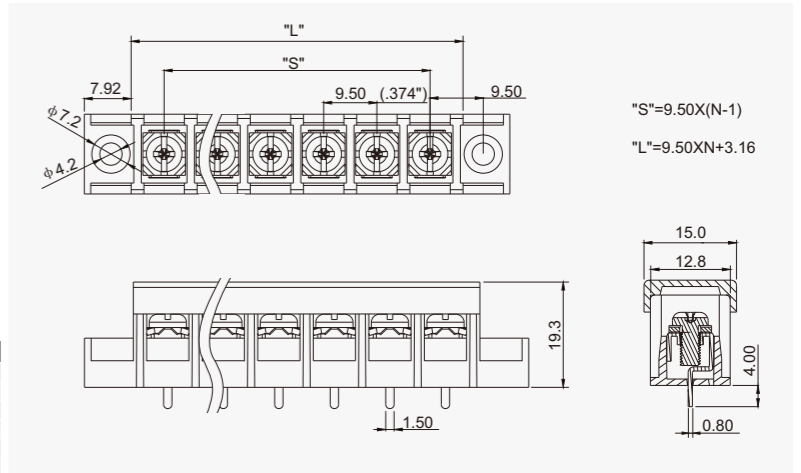
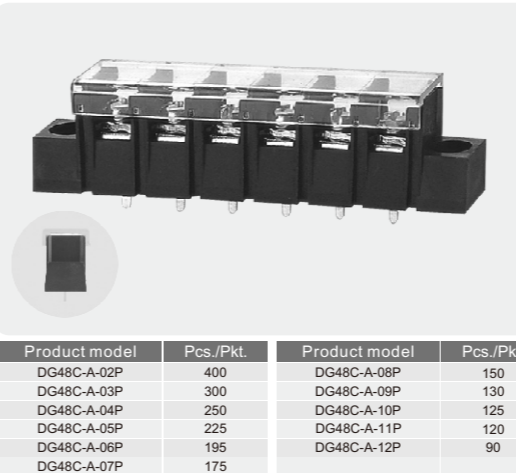


Electrical	電気性能	电气性能	UL1059 & CSA C22.2 NO.158		
Standard	安全規格	参考标准			
Use group	使用レベル	使用级别	B	C	D
Rated voltage	定格電圧	额定电压	300V	150V	300V
Rated current	定格電流	额定电流	20A	20A	10A
Wire range	電線径	导线线径	22-12AWG		
Ring/Fork terminals	○ □ 丸型圧着端子 □ □ 先開型圧着端子	○ □ 预绝缘端子 □ □ 预绝缘端子	□ □ 0.5-2.5mm ² /22-14AWG		
Withstanding voltage	耐電圧	耐电压	AC1600V/1Min		
Insulation Resistance	絶縁阻抗	绝缘阻抗	500MΩ/DC500V		
Mechanical	機械性能	机械性能			
Torque Value	ネジ締めトルク	锁紧扭力	1.2N.m (10.5Lb.In)		
Ambient temperature	環境温度	环境温度	-40°C~+105°C		
Stripping length	電線剥き長	剥线长度	8-9mm		
Dimensions	寸法	尺寸			
Pitch	ピッチ	间距	9.5mm(.374")		
Poles	極数	极数	DG□-A	2P-20P	
			DG□-B	2P-22P	
Material	材質及びメッキ	材质及电镀	PA66+GF, UL94V-0		
Housing	本体	塑件			
Terminal	導電板	端子	Copper alloy, Tin Plated	銅合金, 錫メッキ	銅合金, 镀锡
Screws	結線ビス	螺丝	Steel, Ni Plated	鋼, ニッケルメッキ	鋼, 镀锌
Other Data	他の情報	其他信息			
PCB Hole Diameter	PCB取付穴径	PCB板孔径	φ1.9mm		

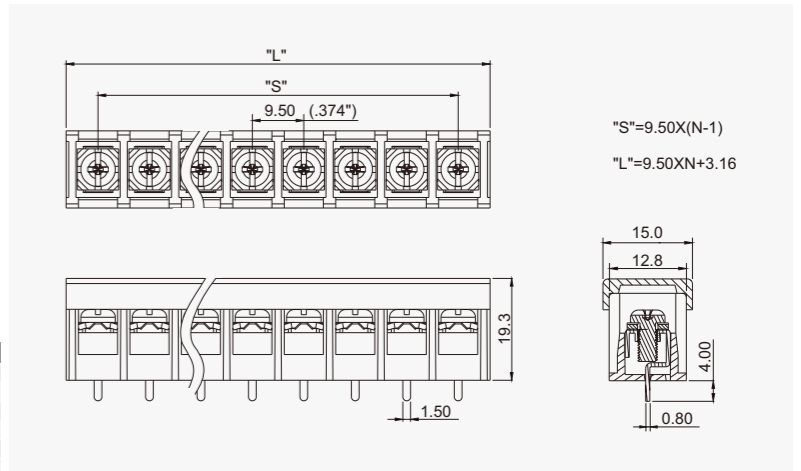
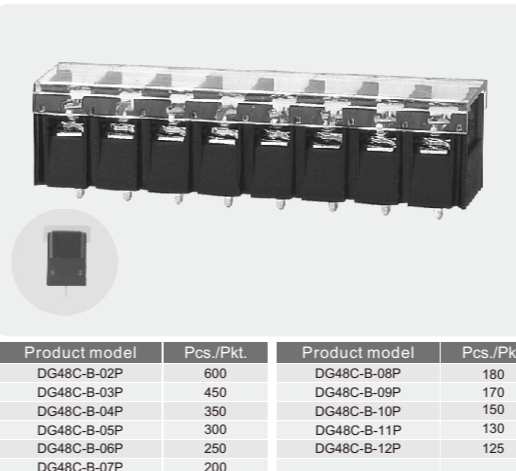
HOW TO ORDER 製品型番 订货方法



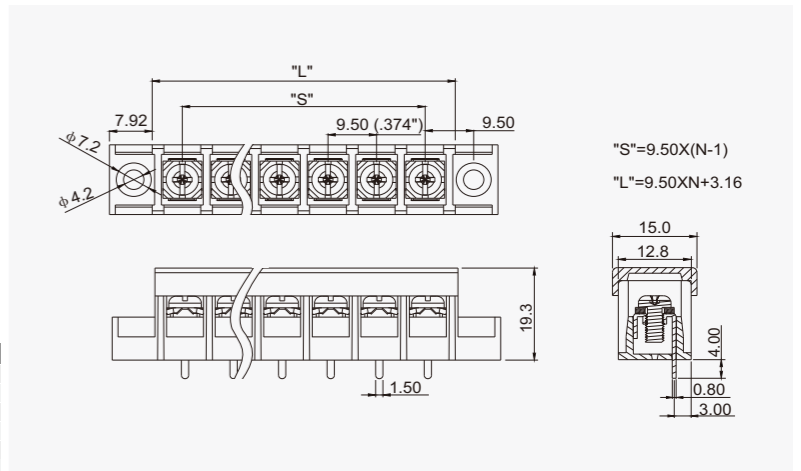
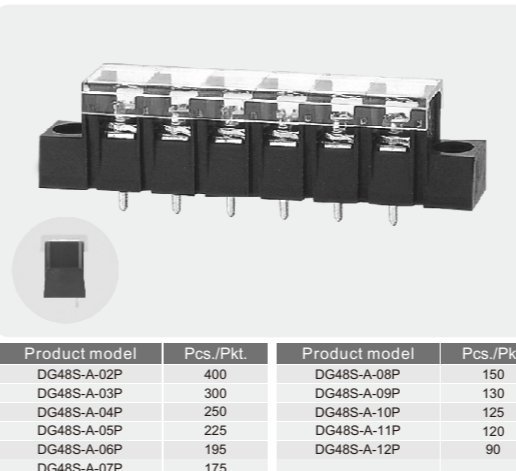
DG48C-A



DG48C-B

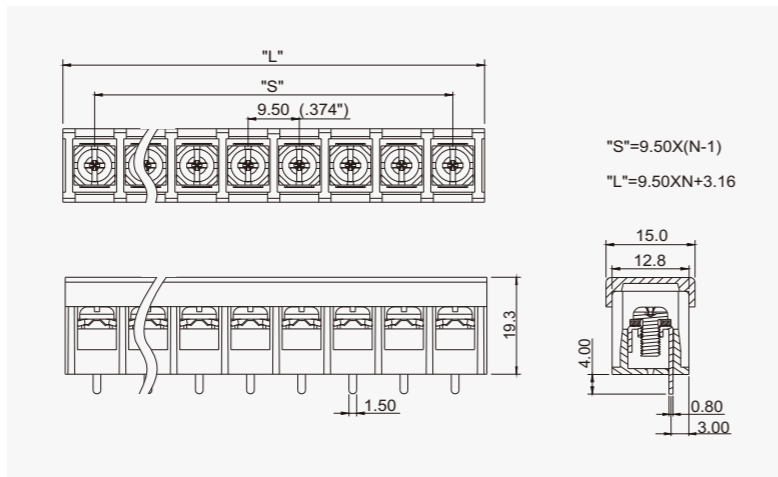


DG48S-A



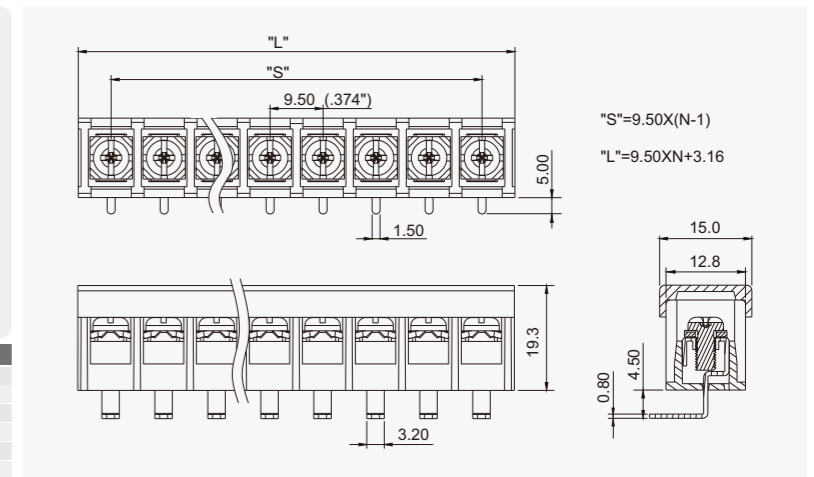
DG48S-B

Product model	Pcs./Pkt.	Product model	Pcs./Pkt.
DG48S-B-02P	600	DG48S-B-08P	180
DG48S-B-03P	450	DG48S-B-09P	170
DG48S-B-04P	350	DG48S-B-10P	150
DG48S-B-05P	300	DG48S-B-11P	130
DG48S-B-06P	250	DG48S-B-12P	125
DG48S-B-07P	200		



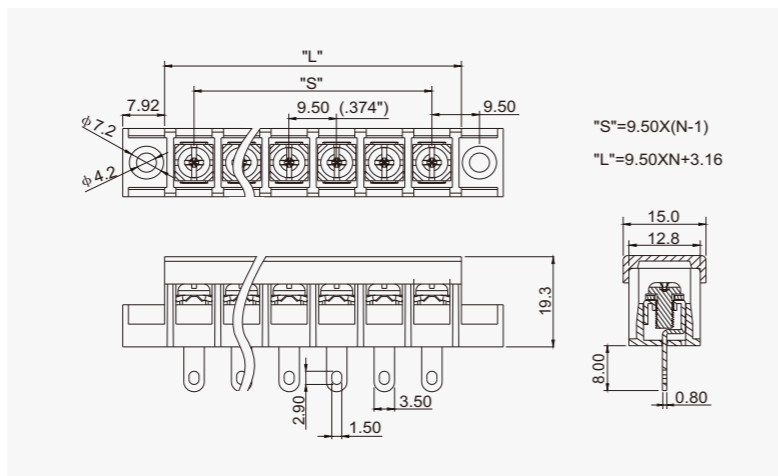
DG48R-B

Product model	Pcs./Pkt.	Product model	Pcs./Pkt.
DG48R-B-02P	600	DG48R-B-08P	160
DG48R-B-03P	400	DG48R-B-09P	140
DG48R-B-04P	300	DG48R-B-10P	135
DG48R-B-05P	250	DG48R-B-11P	115
DG48R-B-06P	220	DG48R-B-12P	100
DG48R-B-07P	180		



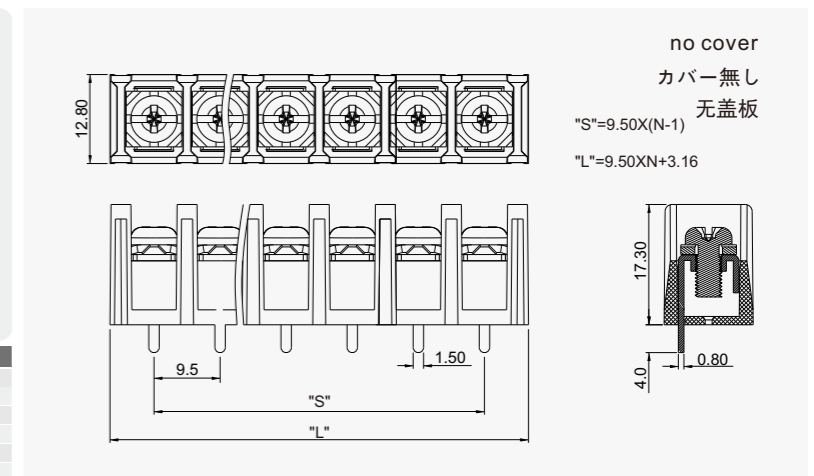
DG48H-A

Product model	Pcs./Pkt.	Product model	Pcs./Pkt.
DG48H-A-02P	400	DG48H-A-08P	150
DG48H-A-03P	300	DG48H-A-09P	170
DG48H-A-04P	250	DG48H-A-10P	125
DG48H-A-05P	200	DG48H-A-11P	120
DG48H-A-06P	195	DG48H-A-12P	90
DG48H-A-07P	175		



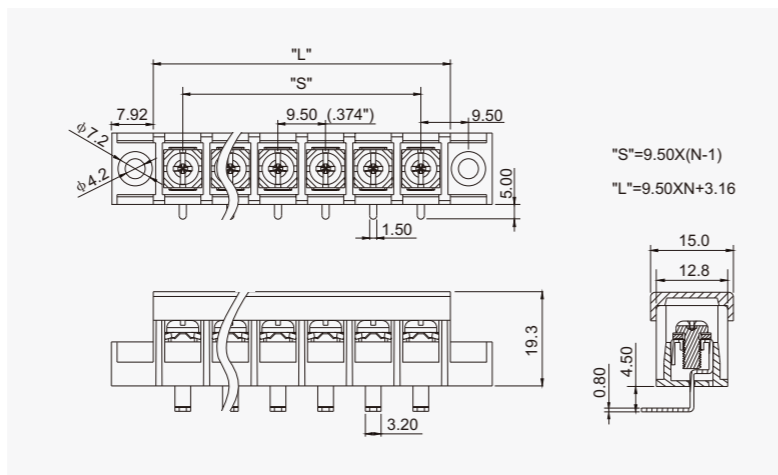
DG48S-B-XXP-1Y-10AH

Product model	Pcs./Pkt.	Product model	Pcs./Pkt.
DG48S-B-02P	600	DG48S-B-08P	180
DG48S-B-03P	450	DG48S-B-09P	170
DG48S-B-04P	350	DG48S-B-10P	150
DG48S-B-05P	300	DG48S-B-11P	130
DG48S-B-06P	250	DG48S-B-12P	125
DG48S-B-07P	200		



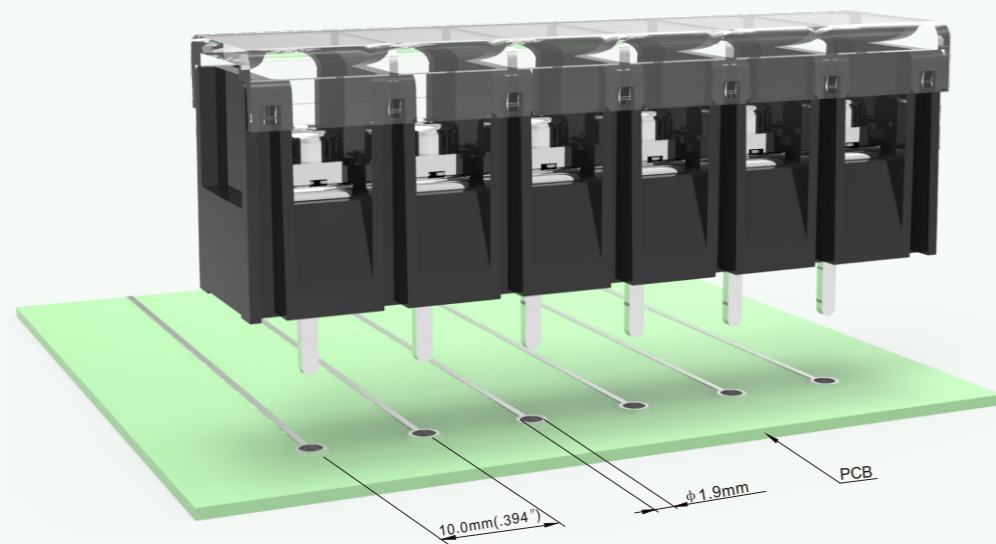
DG48R-A

Product model	Pcs./Pkt.	Product model	Pcs./Pkt.
DG48R-A-02P	350	DG48R-A-08P	135
DG48R-A-03P	275	DG48R-A-09P	115
DG48R-A-04P	230	DG48R-A-10P	110
DG48R-A-05P	200	DG48R-A-11P	105
DG48R-A-06P	170	DG48R-A-12P	80
DG48R-A-07P	155		



Poles	2	3	4	5	6	7	8	9	10
L	22.16mm(0.872")	31.66mm(1.246")	41.16mm(1.620")	50.66mm(1.994")	60.16mm(2.368")	69.66mm(2.743")	79.16mm(3.117")	88.66mm(3.491")	98.16mm(3.865")
S	9.50mm(0.374")	19.00mm(0.748")	28.50mm(1.122")	38.00mm(1.496")	47.50mm(1.870")	57.00mm(2.244")	66.50mm(2.618")	76.00mm(2.992")	85.50mm(3.366")
Poles	11	12	13	14	15	16	17	18	19
L	107.66mm(4.239")	117.16mm(4.613")	126.66mm(4.987")	136.16mm(5.361")	145.66mm(5.734")	155.16mm(6.109")	164.66mm(6.483")	174.16mm(6.857")	183.66mm(7.230")
S	95.00mm(3.740")	104.50mm(4.114")	114.00mm(4.488")	123.50mm(4.862")	133.00mm(5.236")	142.50mm(5.610")	152.00mm(5.984")	161.50mm(6.358")	171.00mm(6.732")
Poles	20	21	22	23	24	25	26		
L	193.16mm(7.605")	202.66mm(7.979")	212.16mm(8.353")						
S	180.50mm(7.106")	190.00mm(7.480")	199.50mm(7.854")						

DG58



Electrical	電気性能	电气性能	UL1059 & CSA C22.2 NO.158		
Standard	安全規格	参考标准			
Use group	使用レベル	使用级别	B	C	D
Rated voltage	定格電圧	额定电压	300V	150V	300V
Rated current	定格電流	额定电流	20A	20A	10A
Wire range	電線径	导线线径	22-12AWG		
Ring/Fork terminals	丸型压着端子 先開型压着端子	预绝缘端子 端子	0.5-2.5mm ² /22-14AWG 0.5-2.5mm ² /22-14AWG		
Withstanding voltage	耐電圧	耐电压	AC1600V/1Min		
Insulation Resistance	絶縁阻抗	绝缘阻抗	500MΩ/DC500V		
Mechanical	機械性能	机械性能			
Torque Value	ネジ締めトルク	锁紧扭力	1.2N.m (10.5Lb.In)		
Ambient temperature	環境温度	环境温度	-40°C~+105°C		
Stripping length	電線剥き長	剥线长度	9-10mm		
Dimensions	寸法	尺寸			
Pitch	ピッチ	间距	10.0mm (.394")		
Poles	極数	极数	DG□-A	2P-20P	
			DG□-B	2P-22P	
Material	材質及びメッキ	材质及电镀	PA66+GF, UL94V-0		
Housing	本体	塑件	Copper alloy, Tin Plated 銅合金, 錫メッキ 銅合金, 镀锡		
Terminal	導電板	端子	Steel, Ni Plated 鋼, ニッケルメッキ 鋼, 镀镍		
Screws	結線ビス	螺丝			
Other Data	他の情報	其他信息			
PCB Hole Diameter	PCB取付穴径	PCB板孔径	φ1.9mm		

HOW TO ORDER 製品型番 订货方法

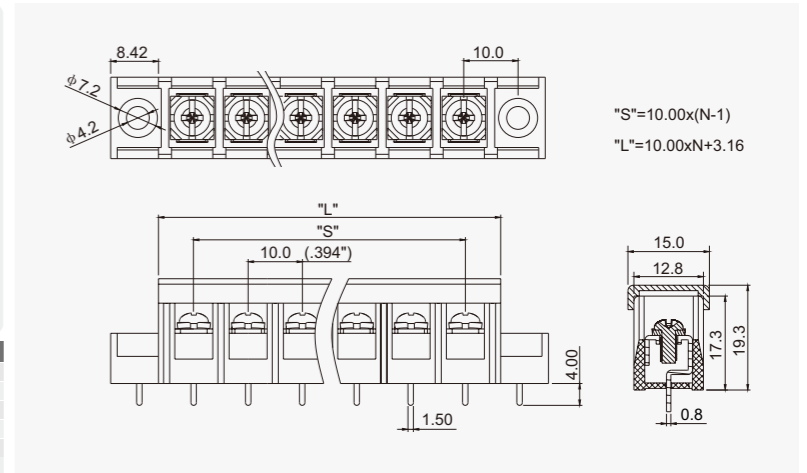
DG58 **C** **B** **X X P** **1 3** **X X X**

Customer Request 顧客要求仕様 客户需求

C: S: A: Mount Ends 取付穴有り 有固定孔
 H: R: B: Barrier Ends 取付穴無し 无固定孔
 No. of Pole 極数
 Color 色 颜色
 3 Black 黒 黑色
 1 Grey グレー 灰色
 4 Green 緑 绿色

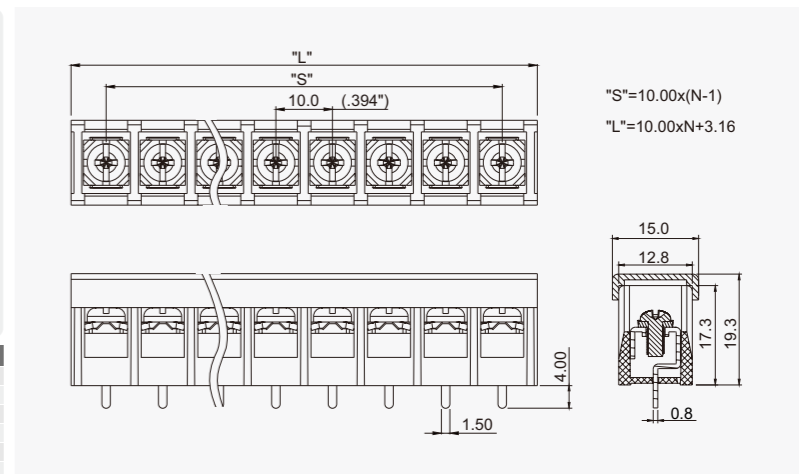
DG58C-A

Product model	Pcs./Pkt.	Product model	Pcs./Pkt.
DG58C-A-02P	325	DG58C-A-08P	150
DG58C-A-03P	300	DG58C-A-09P	110
DG58C-A-04P	250	DG58C-A-10P	100
DG58C-A-05P	200	DG58C-A-11P	100
DG58C-A-06P	175	DG58C-A-12P	90
DG58C-A-07P	165		



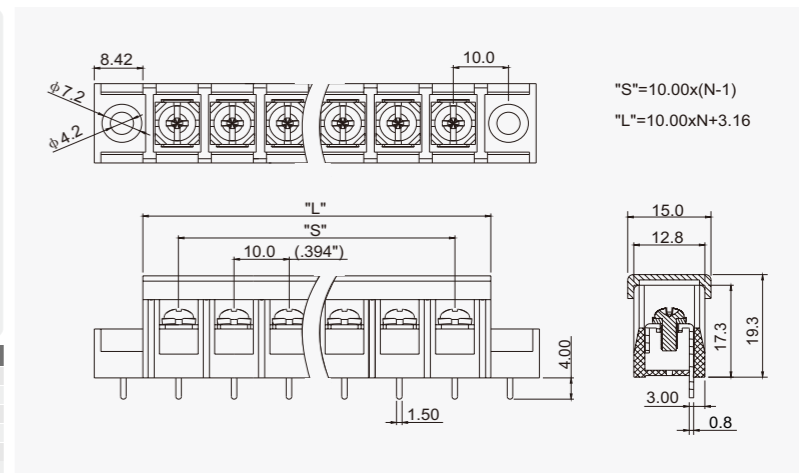
DG58C-B

Product model	Pcs./Pkt.	Product model	Pcs./Pkt.
DG58C-B-02P	625	DG58C-B-08P	175
DG58C-B-03P	450	DG58C-B-09P	140
DG58C-B-04P	345	DG58C-B-10P	125
DG58C-B-05P	275	DG58C-B-11P	125
DG58C-B-06P	235	DG58C-B-12P	120
DG58C-B-07P	195		

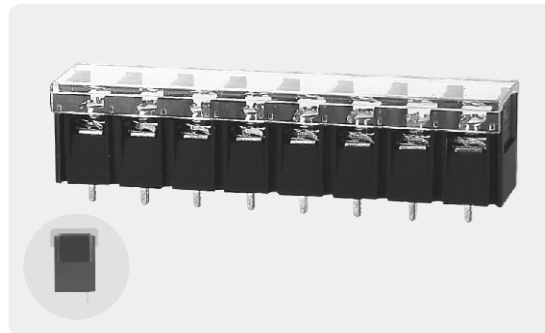


DG58S-A

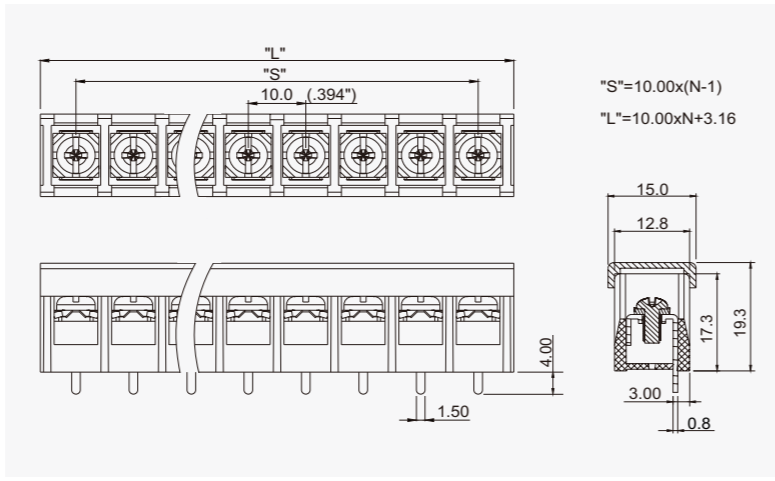
Product model	Pcs./Pkt.	Product model	Pcs./Pkt.
DG58S-A-02P	325	DG58S-A-08P	150
DG58S-A-03P	300	DG58S-A-09P	110
DG58S-A-04P	250	DG58S-A-10P	100
DG58S-A-05P	200	DG58S-A-11P	100
DG58S-A-06P	175	DG58S-A-12P	90
DG58S-A-07P	165		



DG58S-B



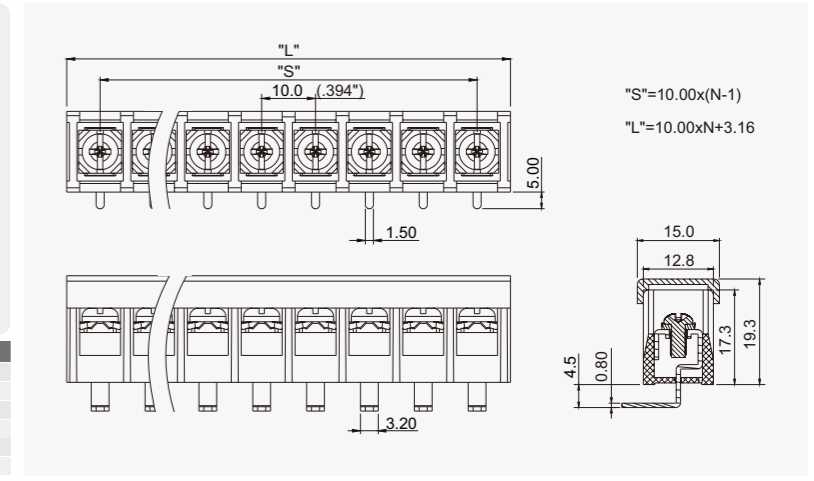
Product model	Pcs./Pkt.	Product model	Pcs./Pkt.
DG58S-B-02P	625	DG58S-B-08P	175
DG58S-B-03P	450	DG58S-B-09P	140
DG58S-B-04P	345	DG58S-B-10P	125
DG58S-B-05P	275	DG58S-B-11P	125
DG58S-B-06P	235	DG58S-B-12P	120
DG58S-B-07P	195		



DG58R-B



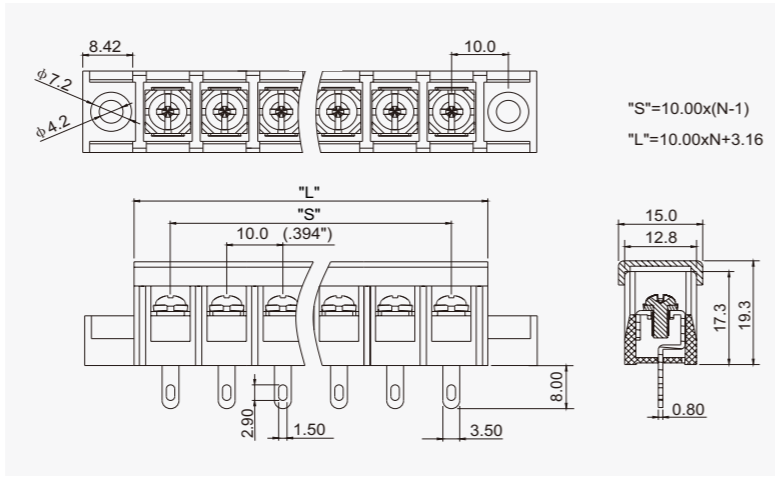
Product model	Pcs./Pkt.	Product model	Pcs./Pkt.
DG58R-B-02P	525	DG58R-B-08P	150
DG58R-B-03P	400	DG58R-B-09P	135
DG58R-B-04P	275	DG58R-B-10P	100
DG58R-B-05P	240	DG58R-B-11P	110
DG58R-B-06P	200	DG58R-B-12P	110
DG58R-B-07P	160		



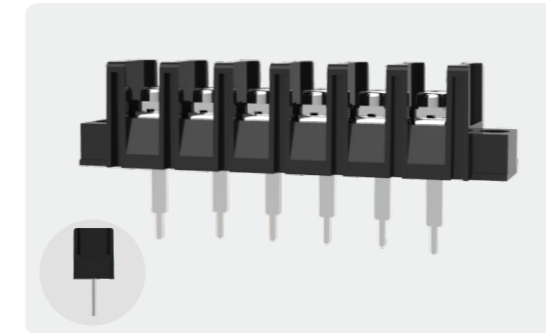
DG58H-A



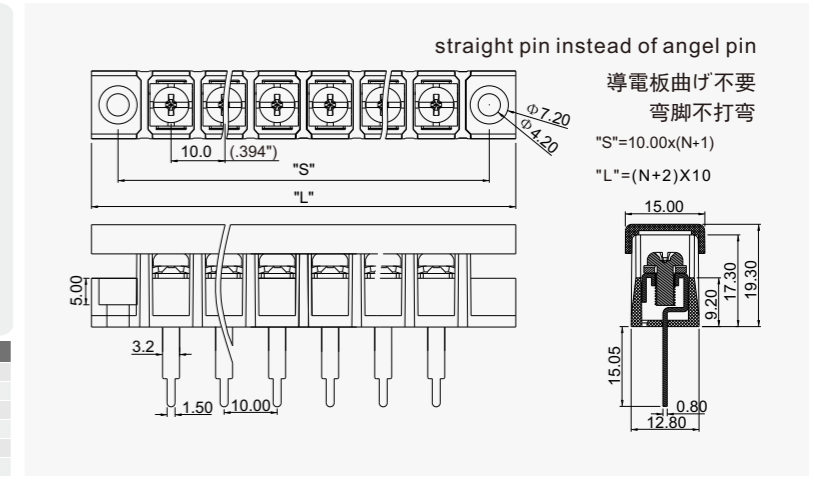
Product model	Pcs./Pkt.	Product model	Pcs./Pkt.
DG58H-A-02P	375	DG58H-A-08P	150
DG58H-A-03P	300	DG58H-A-09P	125
DG58H-A-04P	250	DG58H-A-10P	120
DG58H-A-05P	200	DG58H-A-11P	110
DG58H-A-06P	175	DG58H-A-12P	90
DG58H-A-07P	165		



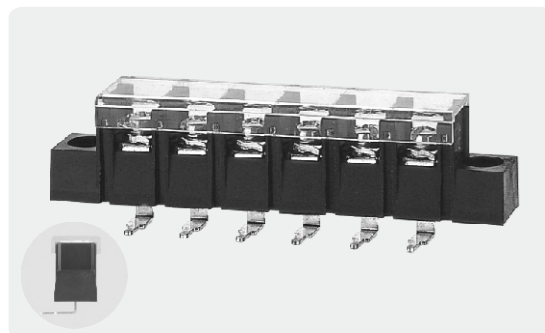
DG58R-A-XXP-1Y-11AH



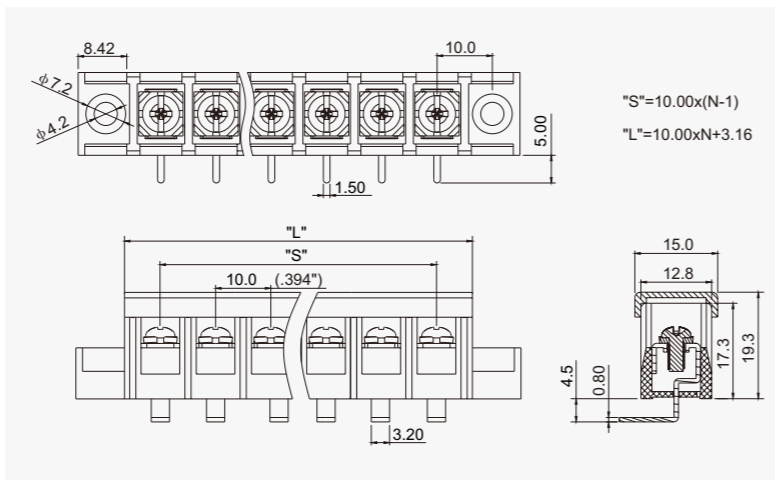
Product model	Pcs./Pkt.	Product model	Pcs./Pkt.
DG58R-A-02P	330	DG58R-A-08P	115
DG58R-A-03P	275	DG58R-A-09P	110
DG58R-A-04P	195	DG58R-A-10P	105
DG58R-A-05P	180	DG58R-A-11P	105
DG58R-A-06P	160	DG58R-A-12P	80
DG58R-A-07P	140		



DG58R-A

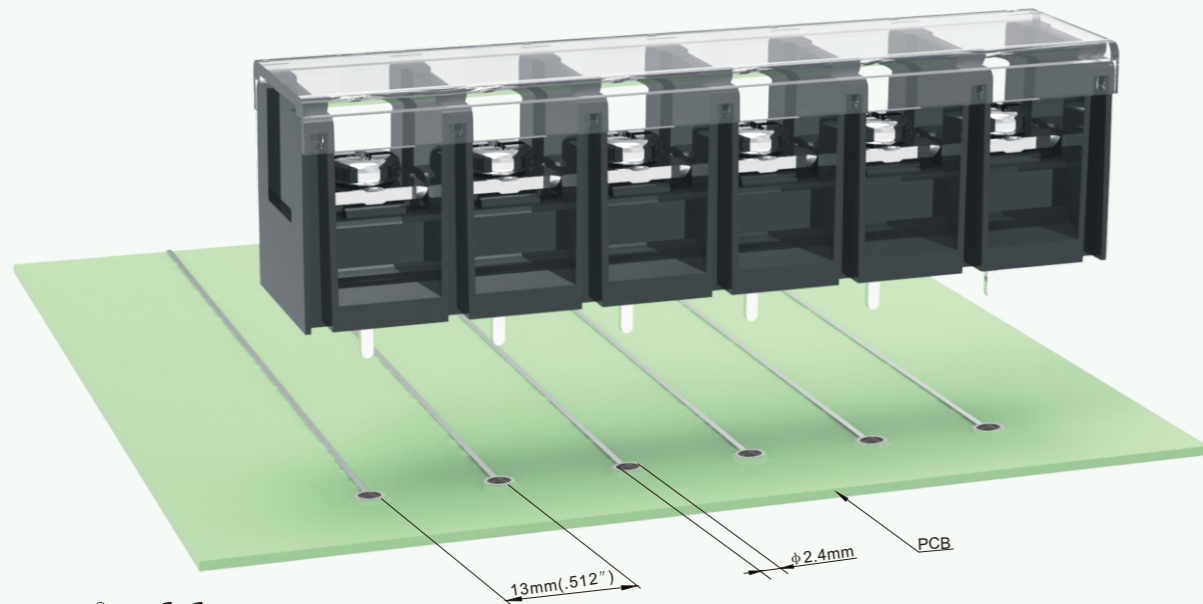


Product model	Pcs./Pkt.	Product model	Pcs./Pkt.
DG58R-A-02P	330	DG58R-A-08P	115
DG58R-A-03P	275	DG58R-A-09P	110
DG58R-A-04P	195	DG58R-A-10P	105
DG58R-A-05P	180	DG58R-A-11P	105
DG58R-A-06P	160	DG58R-A-12P	80
DG58R-A-07P	140		



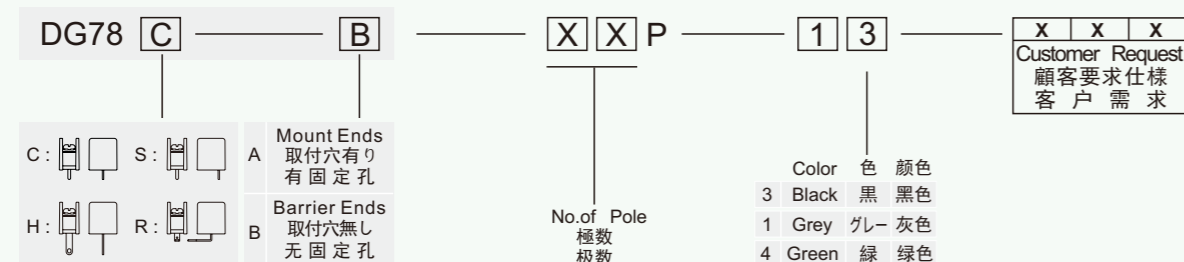
Poles	2	3	4	5	6	7	8	9	10
L	23.16mm(912")	33.16mm(1306")	43.16mm(1699")	53.16mm(2093")	63.16mm(2487")	73.16mm(2880")	83.16mm(3274")	93.16mm(3668")	103.16mm(4061")
S	10.00mm(.394")	20.00mm(.787")	30.00mm(1.181")	40.00mm(1.575")	50.00mm(1.969")	60.00mm(2.362")	70.00mm(2.756")	80.00mm(3.150")	90.00mm(3.543")
Poles	11	12	13	14	15	16	17	18	19
L	113.16mm(4.455")	123.16mm(4.849")	133.16mm(5.243")	143.16mm(5.636")	153.16mm(6.030")	163.16mm(6.424")	173.16mm(6.817")	183.16mm(7.211")	193.16mm(7.605")
S	100.00mm(3.937")	110.00mm(4.331")	120.00mm(4.724")	130.00mm(5.118")	140.00mm(5.512")	150.00mm(5.906")	160.00mm(6.299")	170.00mm(6.693")	180.00mm(7.087")
Poles	20	21	22	23	24	25	26		
L	203.16mm(7.998")	213.16mm(8.392")	223.16mm(8.786")						
S	190.00mm(7.480")	200.00mm(7.874")	210.00mm(8.268")						

DG78



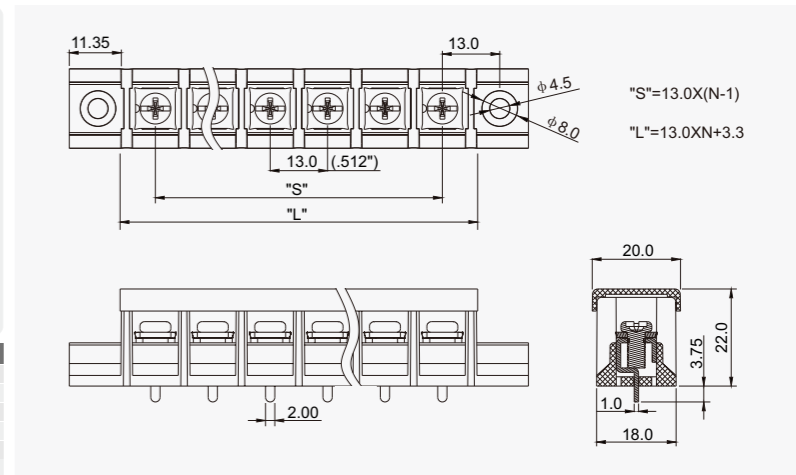
Electrical	電気性能	电气性能	UL1059 & CSA C22.2 NO.158		
Standard	安全規格	参考标准			
Use group	使用レベル	使用级别	B	C	D
Rated voltage	定格電圧	额定电压	600V	600V	600V
Rated current	定格電流	额定电流	40A	40A	5A
Wire range	電線径	导线线径	18-10AWG		
Ring/Fork terminals	丸型圧着端子 先開型圧着端子	预绝缘端子	○□ 0.2-6.0mm ² /18-10AWG □□ 0.5-6.0mm ² /18-10AWG		
Withstanding voltage	耐電圧	耐电压	AC2200V/1Min		
Insulation Resistance	絶縁抵抗	绝缘阻抗	500MΩ/DC500V		
Mechanical	機械性能	机械性能			
Torque Value	ネジ締付トルク	锁紧扭力	1.2N.m (10.5Lb.In)		
Ambient temperature	環境温度	环境温度	-40°C~+105°C		
Stripping length	電線剥き長	剥线长度	10-11mm		
Dimensions	寸法	尺寸			
Pitch	ピッチ	间距	13.0mm(.512")		
Poles	極数	极数	DG□-A	2P-20P	
			DG□-B	2P-22P	
Material	材質及びメッキ	材质及电镀	PA66+GF, UL94V-0		
Housing	本体	塑件			
Terminal	導電板	端子	Copper alloy, Tin Plated	銅合金, 錫メッキ	铜合金, 镀锡
Screws	結線ビス	螺丝	Steel, Ni Plated	鋼, ニッケルメッキ	钢, 镀锌
Other Data	他の情報	其他信息			
PCB Hole Diameter	PCB取付穴径	PCB板孔径	φ2.4mm		

HOW TO ORDER 製品型番 订货方法



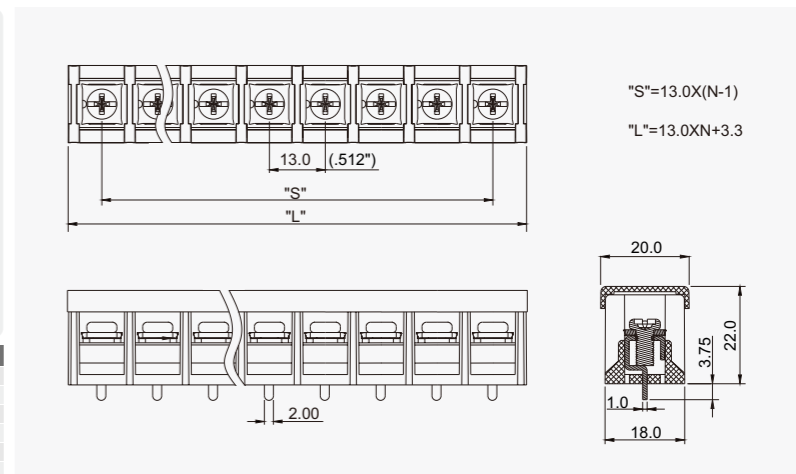
DG78C-A

Product model	Pcs./Pkt.	Product model	Pcs./Pkt.
DG78C-A-02P	175	DG78C-A-08P	65
DG78C-A-03P	155	DG78C-A-09P	60
DG78C-A-04P	125	DG78C-A-10P	55
DG78C-A-05P	110	DG78C-A-11P	50
DG78C-A-06P	80	DG78C-A-12P	50
DG78C-A-07P	75		



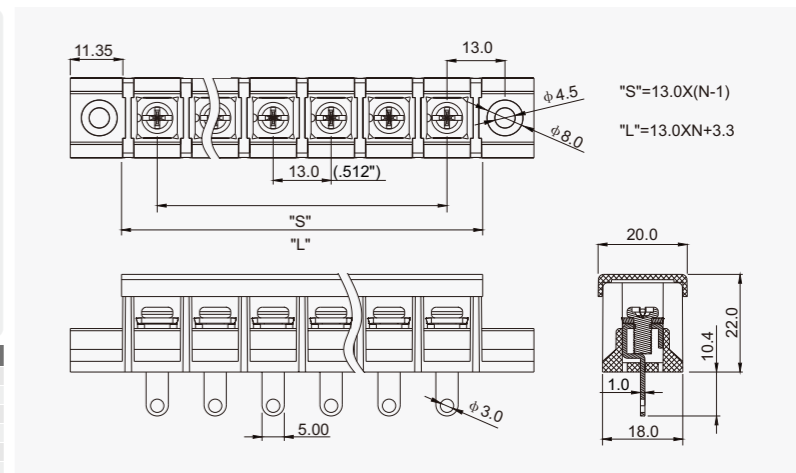
DG78C-B

Product model	Pcs./Pkt.	Product model	Pcs./Pkt.
DG78C-B-02P	300	DG78C-B-08P	80
DG78C-B-03P	220	DG78C-B-09P	75
DG78C-B-04P	165	DG78C-B-10P	60
DG78C-B-05P	130	DG78C-B-11P	55
DG78C-B-06P	110	DG78C-B-12P	55
DG78C-B-07P	100		



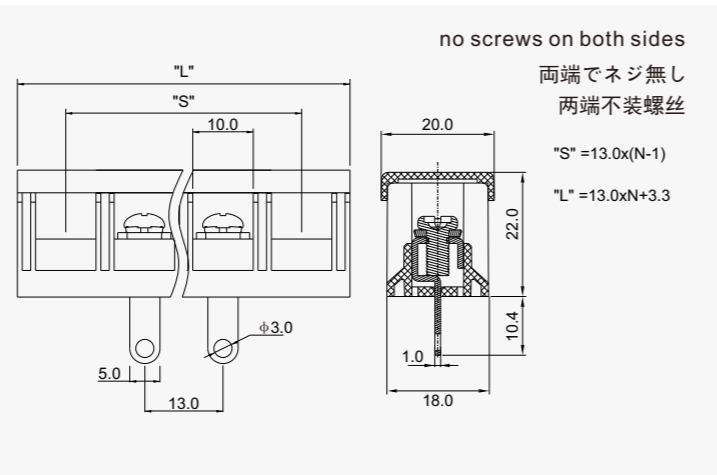
DG78H-A

Product model	Pcs./Pkt.	Product model	Pcs./Pkt.
DG78H-A-02P	175	DG78H-A-08P	70
DG78H-A-03P	150	DG78H-A-09P	55
DG78H-A-04P	115	DG78H-A-10P	55
DG78H-A-05P	100	DG78H-A-11P	50
DG78H-A-06P	80	DG78H-A-12P	50
DG78H-A-07P	75		



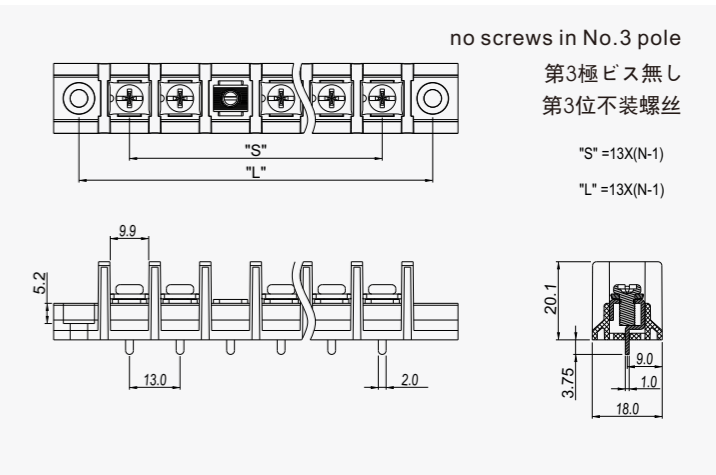
DG78H-B

Product model	Pcs./Pkt.	Product model	Pcs./Pkt.
DG78H-B-02P	270	DG78H-B-11P	50
DG78H-B-03P	200	DG78H-B-12P	50
DG78H-B-04P	140	DG78H-B-13P	45
DG78H-B-05P	120	DG78H-B-14P	40
DG78H-B-06P	100	DG78H-B-15P	35
DG78H-B-07P	90	DG78H-B-16P	35
DG78H-B-08P	70	DG78H-B-17P	35
DG78H-B-09P	70	DG78H-B-18P	30
DG78H-B-10P	55		



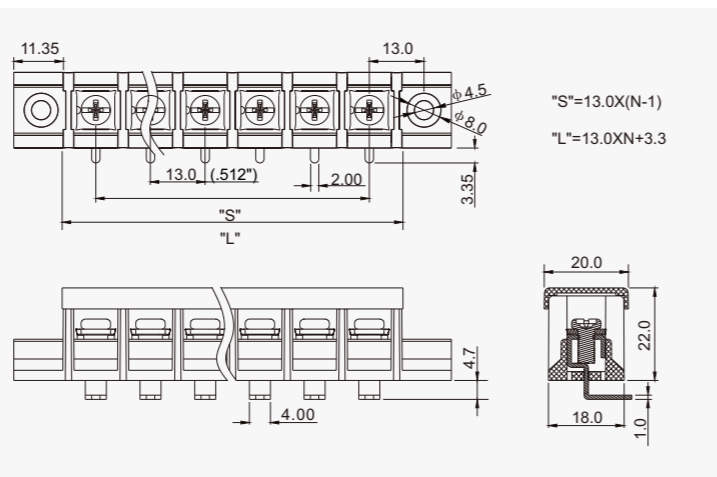
DG78C-A-XXP-1Y-09A

Product model	Pcs./Pkt.	Product model	Pcs./Pkt.
DG78C-A-02P	300	DG78C-A-08P	80
DG78C-A-03P	220	DG78C-A-09P	75
DG78C-A-04P	165	DG78C-A-10P	60
DG78C-A-05P	130	DG78C-A-11P	55
DG78C-A-06P	110	DG78C-A-12P	55
DG78C-A-07P	100		



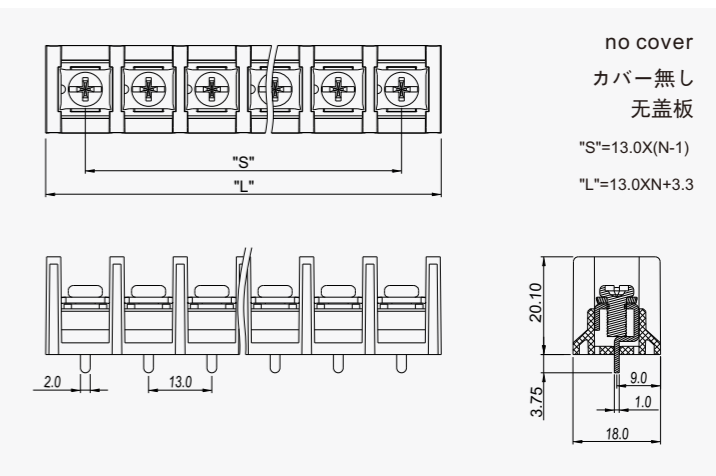
DG78R-A

Product model	Pcs./Pkt.	Product model	Pcs./Pkt.
DG78R-A-02P	100	DG78R-A-08P	60
DG78R-A-03P	120	DG78R-A-09P	45
DG78R-A-04P	95	DG78R-A-10P	45
DG78R-A-05P	80	DG78R-A-11P	40
DG78R-A-06P	65	DG78R-A-12P	40
DG78R-A-07P	60		



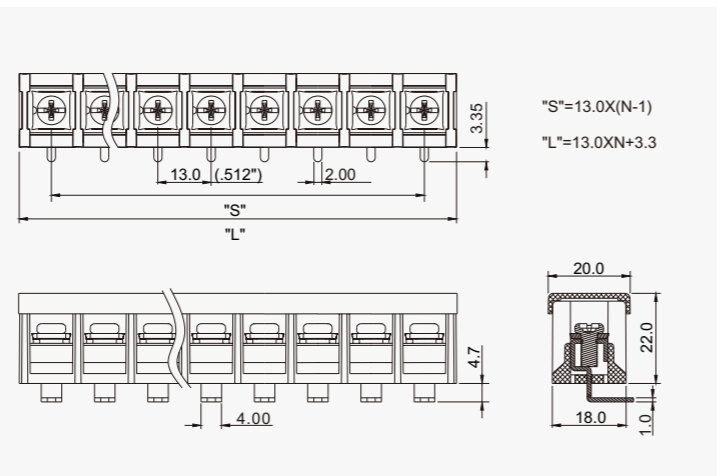
DG78C-B-XXP-1Y-08A

Product model	Pcs./Pkt.	Product model	Pcs./Pkt.
DG78C-B-02P	300	DG78C-B-08P	80
DG78C-B-03P	220	DG78C-B-09P	75
DG78C-B-04P	165	DG78C-B-10P	60
DG78C-B-05P	130	DG78C-B-11P	55
DG78C-B-06P	110	DG78C-B-12P	55
DG78C-B-07P	100		



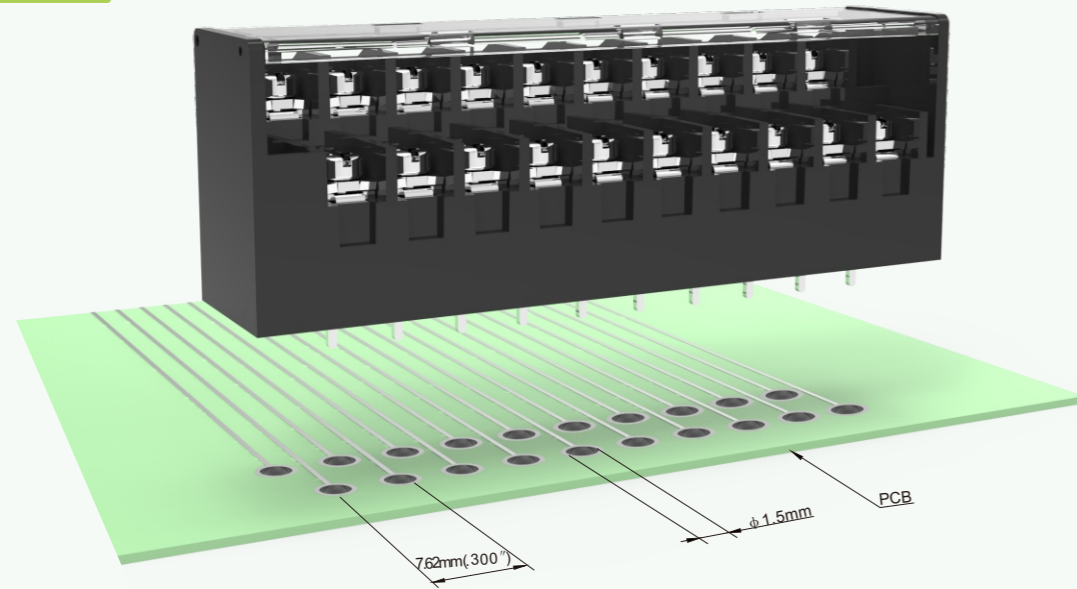
DG78R-B

Product model	Pcs./Pkt.	Product model	Pcs./Pkt.
DG78R-B-02P	300	DG78R-B-08P	80
DG78R-B-03P	180	DG78R-B-09P	80
DG78R-B-04P	165	DG78R-B-10P	55
DG78R-B-05P	155	DG78R-B-11P	55
DG78R-B-06P	110	DG78R-B-12P	50
DG78R-B-07P	100		



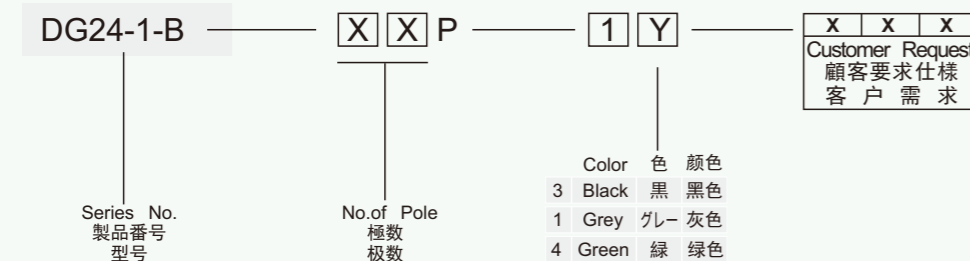
Poles	2	3	4	5	6	7	8	9	10
L	29.30mm(1.154")	42.30mm(1.665")	55.30mm(2.177")	68.30mm(2.689")	81.30mm(3.201")	94.30mm(3.713")	107.30mm(4.224")	120.30mm(4.736")	133.30mm(5.248")
S	13.00mm(.512")	26.00mm(1.024")	39.00mm(1.535")	52.00mm(2.047")	65.00mm(2.559")	78.00mm(3.071")	91.00mm(3.583")	104.00mm(4.094")	117.00mm(4.606")
Poles	11	12	13	14	15	16	17	18	19
L	146.30mm(5.760")	159.30mm(6.272")	172.30mm(6.783")	185.30mm(7.295")	198.30mm(7.807")	211.30mm(8.319")	224.30mm(8.831")	237.30mm(9.343")	250.30mm(9.854")
S	130.00mm(5.118")	143.00mm(5.630")	156.00mm(6.142")	169.00mm(6.654")	182.00mm(7.165")	195.00mm(7.677")	208.00mm(8.189")	221.00mm(8.701")	234.00mm(9.213")
Poles	20	21	22	23	24	25	26		
L	263.3mm(10.366")								
S	247.00mm(9.724")								

DG24

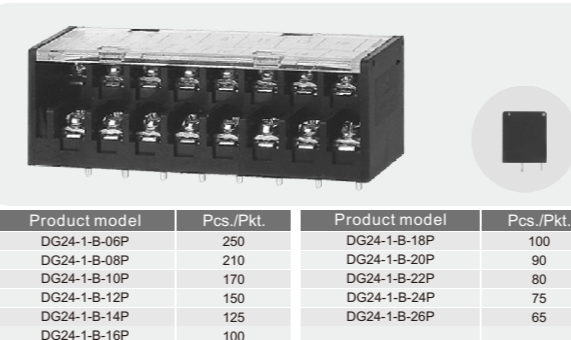


Electrical	電気性能	电气性能	UL1059 & CSA C22.2 NO.158	
Standard	安全規格	参考标准		
Use group	使用レベル	使用级别	B	C
Rated voltage	定格電圧	额定电压	300V	300V
Rated current	定格電流	额定电流	15A	10A
Wire range	電線径	导线线径	22-14AWG	
Ring/Fork terminals	丸型压着端子 先開型压着端子	预绝缘端子 ココ	1.0-2.5mm ² /16-14AWG	
Withstanding voltage	耐電圧	耐电压	AC1600V/1Min	
Insulation Resistance	絶縁抵抗	绝缘电阻	500MΩ/DC500V	
Mechanical	機械性能	机械性能		
Torque Value	ネジ締めトルク	锁紧扭力	0.5N.m (4.4Lb.In)	
Ambient temperature	环境温度	环境温度	-40°C~+105°C	
Stripping length	電線剥き長	剥线长度	7mm	
Dimensions	寸法	尺寸		
Pitch	ピッチ	间距	7.62mm (.300")	
Poles	極数	极数	DG 24-1/2	2*(3P-24P)
Material	材質及びメッキ	材质及电镀	PBT+GF, UL94V-0	
Housing	本体	塑件		
Terminal	導電板	端子	Copper alloy, Tin Plated	銅合金, 錫メッキ
Screws	結線ビス	螺丝	Steel, Ni Plated	鋼, ニッケルメッキ
				鋼合金, 鍍錫
				鋼, 鍍銀
Other Data	他の情報	其他信息		
PCB Hole Diameter	PCB取付穴径	PCB板孔径	φ1.5mm	

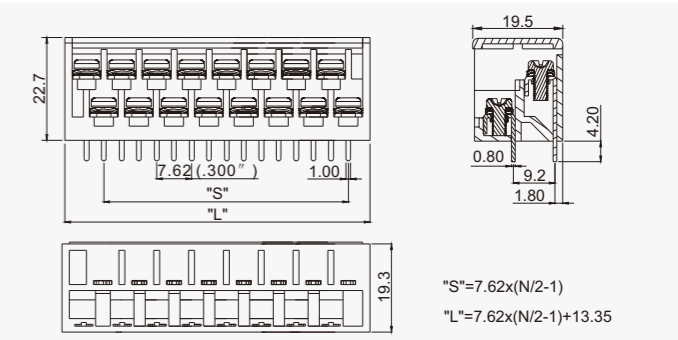
HOW TO ORDER 製品型番 订货方法



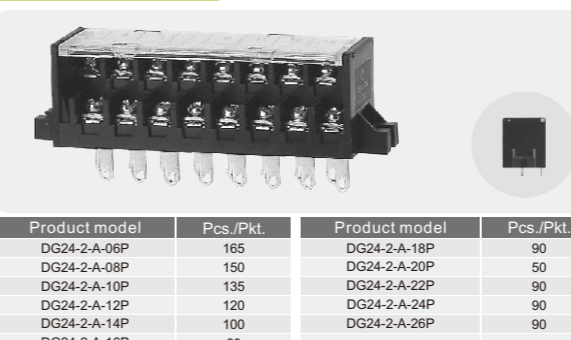
DG24-1-B



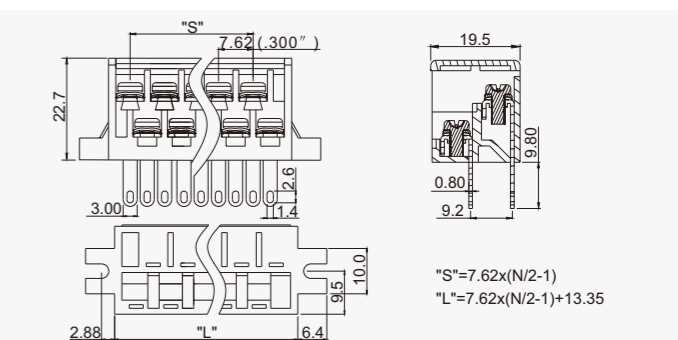
Product model	Pcs./Pkt.	Product model	Pcs./Pkt.
DG24-1-B-06P	250	DG24-1-B-18P	100
DG24-1-B-08P	210	DG24-1-B-20P	90
DG24-1-B-10P	170	DG24-1-B-22P	80
DG24-1-B-12P	150	DG24-1-B-24P	75
DG24-1-B-14P	125	DG24-1-B-26P	65
DG24-1-B-16P	100		



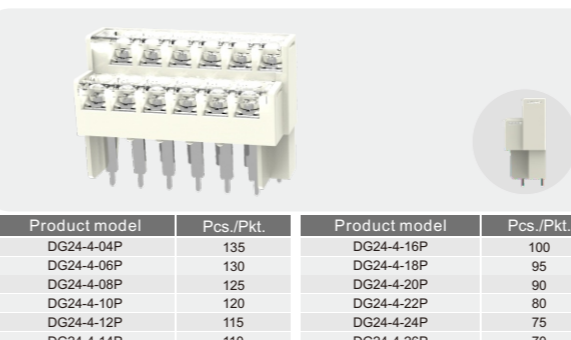
DG24-2-A



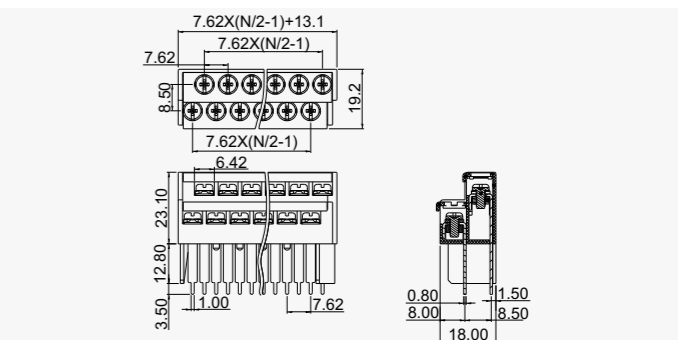
Product model	Pcs./Pkt.	Product model	Pcs./Pkt.
DG24-2-A-06P	165	DG24-2-A-18P	90
DG24-2-A-08P	150	DG24-2-A-20P	50
DG24-2-A-10P	135	DG24-2-A-22P	90
DG24-2-A-12P	120	DG24-2-A-24P	90
DG24-2-A-14P	100	DG24-2-A-26P	90
DG24-2-A-16P	60		



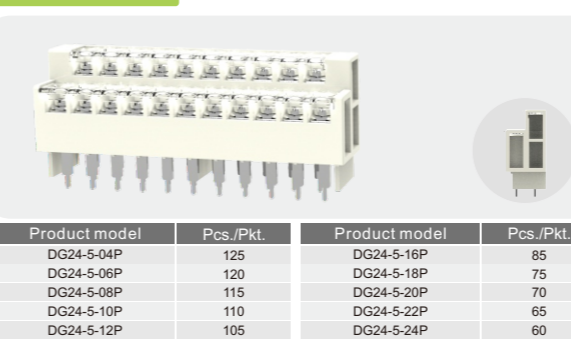
DG24-4



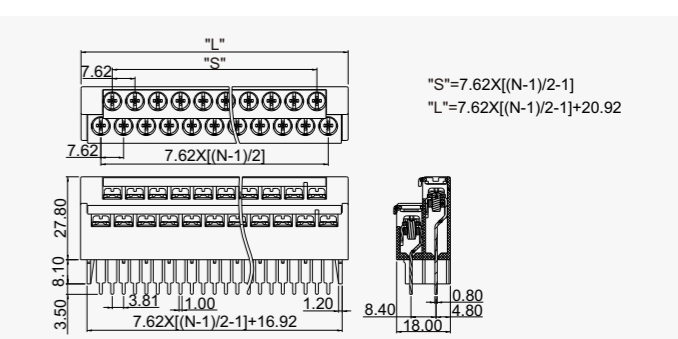
Product model	Pcs./Pkt.	Product model	Pcs./Pkt.
DG24-4-04P	135	DG24-4-16P	100
DG24-4-06P	130	DG24-4-18P	95
DG24-4-08P	125	DG24-4-20P	90
DG24-4-10P	120	DG24-4-22P	80
DG24-4-12P	115	DG24-4-24P	75
DG24-4-14P	110	DG24-4-26P	70



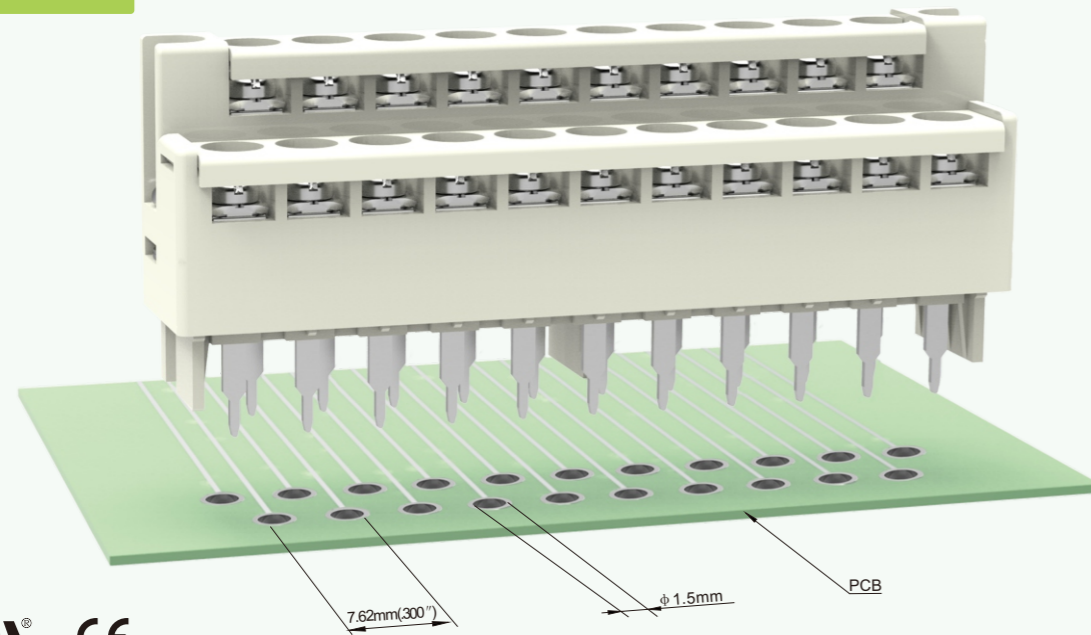
DG24-5



Product model	Pcs./Pkt.	Product model	Pcs./Pkt.
DG24-5-04P	125	DG24-5-16P	85
DG24-5-06P	120	DG24-5-18P	75
DG24-5-08P	115	DG24-5-20P	70
DG24-5-10P	110	DG24-5-22P	65
DG24-5-12P	105	DG24-5-24P	60
DG24-5-14P	100	DG24-5-26P	50

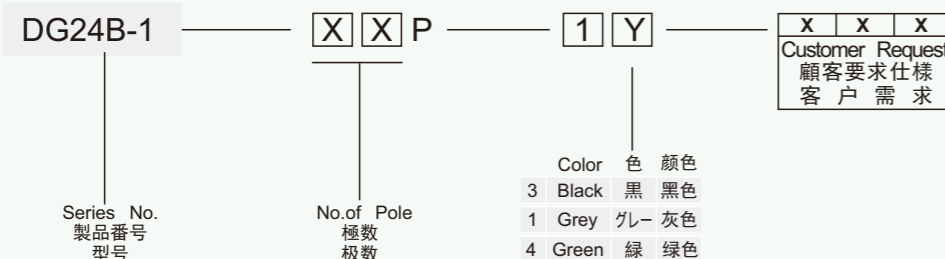


DG24B

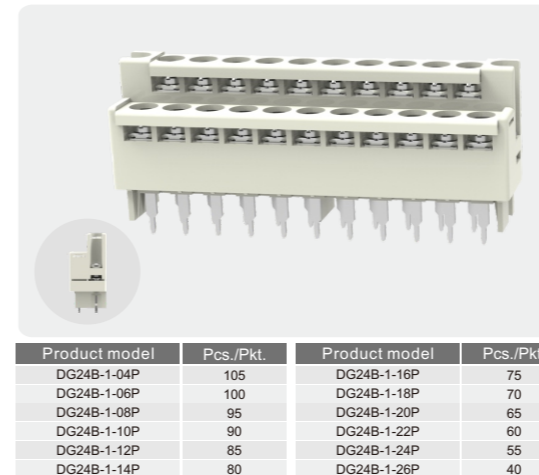


Electrical	電気性能	电气性能	UL1059 & CSA C22.2 NO.158		
Standard	安全規格	参考标准			
Use group	使用レベル	使用级别	B	C	D
Rated voltage	定格電圧	额定电压	300V	-	300V
Rated current	定格電流	额定电流	8A	-	8A
Wire range	電線径	导线线径	22-14AWG		
Ring/Fork terminals	丸型圧着端子 先開型圧着端子	预绝缘端子	1.0-2.5mm ² /16-14AWG		
Withstanding voltage	耐電圧	耐电压	AC1600V/1Min		
Insulation Resistance	絶縁抵抗	绝缘阻抗	500MΩ/DC500V		
Mechanical	機械性能	机械性能	0.5N.m (4.4Lb.In)		
Torque Value	ネジ締めトルク	锁紧扭力			
Ambient temperature	环境温度	环境温度	-40°C~+105°C		
Stripping length	電線剥き長	剥线长度	7mm		
Dimensions	寸法	尺寸	7.62mm (.300")		
Pitch	ピッチ	间距			
Poles	極数	极数	DG 24B-1	5P-49P	
			DG 24B-2	4P-48P	
Material	材質及びメッキ	材质及电镀	PBT+GF, UL94V-0		
Housing	本体	塑件			
Terminal	導電板	端子	Copper alloy, Tin Plated	銅合金, 錫メッキ	铜合金, 镀锡
Screws	結線ビス	螺丝	Steel, Ni Plated	鋼, ニッケルメッキ	钢, 镀镍
Other Data	他の情報	其他信息	φ1.5mm		
PCB Hole Diameter	PCB取付穴径	PCB板孔径			

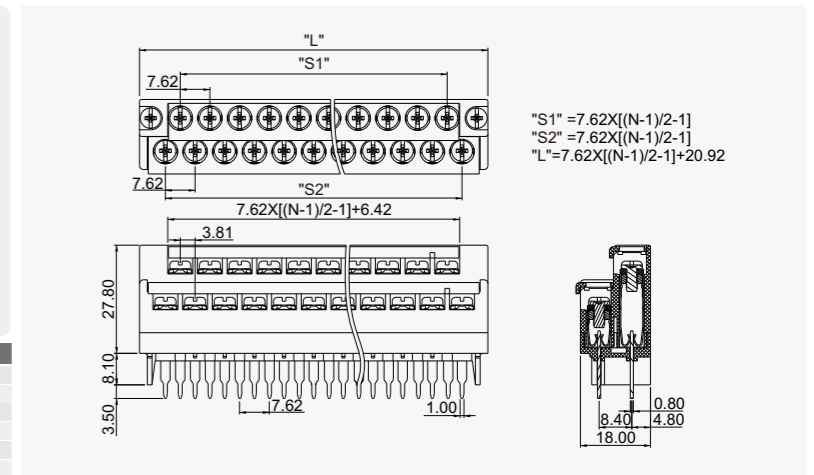
HOW TO ORDER 製品型番 订货方法



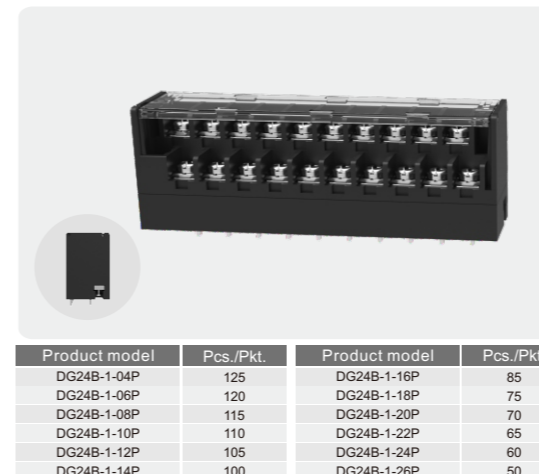
DG24B-1



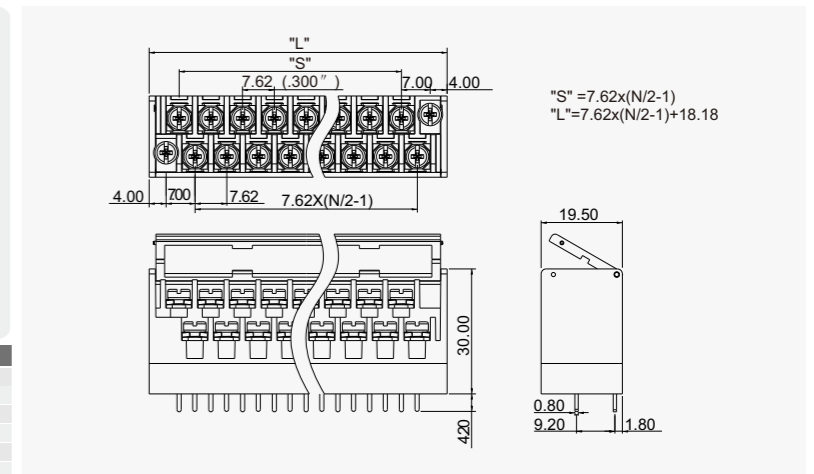
Product model	Pcs./Pkt.	Product model	Pcs./Pkt.
DG24B-1-04P	105	DG24B-1-16P	75
DG24B-1-06P	100	DG24B-1-18P	70
DG24B-1-08P	95	DG24B-1-20P	65
DG24B-1-10P	90	DG24B-1-22P	60
DG24B-1-12P	85	DG24B-1-24P	55
DG24B-1-14P	80	DG24B-1-26P	40



DG24B-2



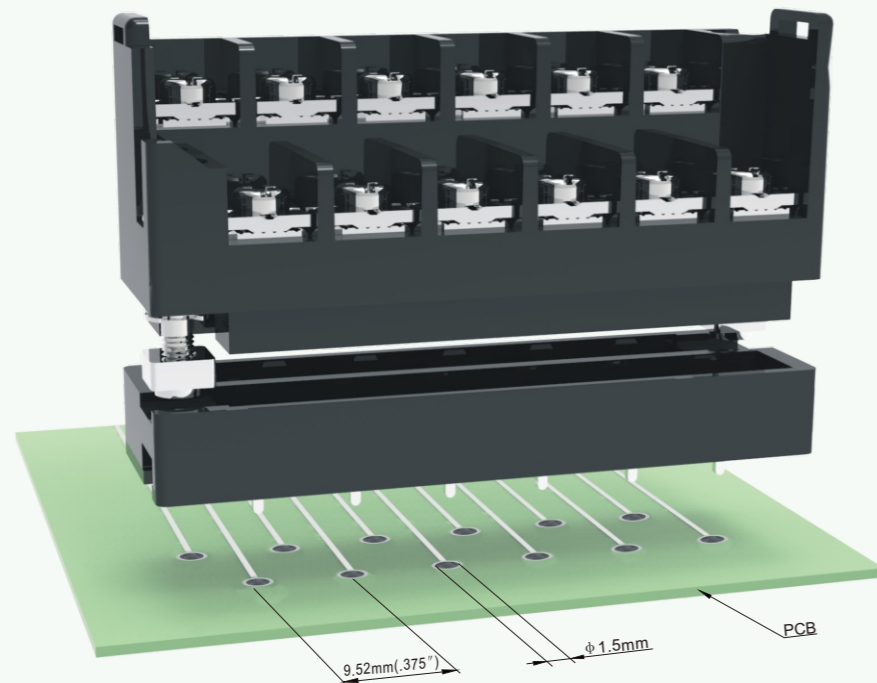
Product model	Pcs./Pkt.	Product model	Pcs./Pkt.
DG24B-1-04P	125	DG24B-1-16P	85
DG24B-1-06P	120	DG24B-1-18P	75
DG24B-1-08P	115	DG24B-1-20P	70
DG24B-1-10P	110	DG24B-1-22P	65
DG24B-1-12P	105	DG24B-1-24P	60
DG24B-1-14P	100	DG24B-1-26P	50



注: DG24长度尺寸表

Poles	4	6	8	10	12	14	15	16	18
L	20.97mm(8.26")	28.59mm(1.126")	36.21mm(1.426")	43.83mm(1.726")	51.45mm(2.026")	59.07mm(2.326")	62.88mm(2.476")	66.69mm(2.626")	74.31mm(2.926")
S	7.62mm(.300")	15.24mm(.600")	22.86mm(.900")	30.48mm(1.200")	38.10mm(1.500")	45.72mm(1.800")	49.53mm(1.950")	53.34mm(2.100")	60.69mm(2.389")
Poles	20	21	22	24	26	27	28	30	32
L	81.93mm(3.226")	93.36mm(3.676")	89.55mm(3.526")	97.17mm(3.826")	104.79mm(4.126")	116.22mm(4.576")	112.41mm(4.426")	120.03mm(4.726")	127.65mm(5.026")
S	68.58mm(2.700")	80.01mm(3.150")	76.20mm(3.000")	83.82mm(3.300")	91.44mm(3.600")	102.87mm(4.050")	99.06mm(3.900")	106.38mm(4.188")	114.30mm(4.500")
Poles	33	34	36	38	29	40	42	44	45
L	139.08mm(5.476")	135.27mm(5.326")	142.89mm(5.626")	150.51mm(5.926")	161.94mm(6.376")	158.13mm(6.226")	165.75mm(6.526")	173.37mm(6.826")	184.80mm(7.276")
S	125.73mm(4.950")	121.92mm(4.800")	129.54mm(5.100")	137.16mm(5.400")	148.59mm(5.850")	144.78mm(5.700")	152.40mm(6.000")	160.02mm(6.300")	171.45mm(6.750")
Poles	46	48	51	54	57	60	63	66	72
L	180.99mm(7.126")	188.61mm(7.426")	207.66mm(8.176")	219.09mm(8.626")	230.52mm(9.076")	241.95mm(9.526")	253.38mm(9.976")	264.81mm(10.426")	287.67mm(11.326")
S	167.64mm(6.600")	175.26mm(6.900")	194.31mm(7.650")	203.74mm(8.021")	217.17mm(8.550")	228.60mm(9.000")	240.03mm(9.450")	251.46mm(9.900")	274.32mm(10.800")

DG44B

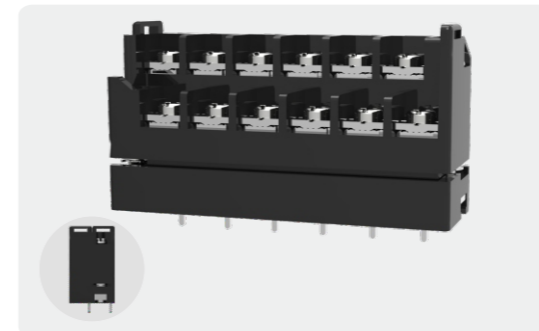


Electrical	電気性能	电气性能	
Standard	安全規格	参考标准	UL1059 & CSA C22.2 NO.158
Use group	使用レベル	使用级别	B C D
Rated voltage	定格電圧	额定电压	300V - 300V
Rated current	定格電流	额定电流	15A - 10A
Wire range	電線径	导线线径	22-14AWG
Ring/Fork terminals	丸型圧着端子 先開型圧着端子	預绝缘端子	0.5-2.5mm ² /22-14AWG 0.5-2.5mm ² /22-14AWG
Withstanding voltage	耐電圧	耐电压	AC1600V/1Min
Insulation Resistance	絶縁抵抗	绝缘阻抗	500MΩ/DC500V
Mechanical	機械性能	机械性能	
Torque Value	ネジ締めトルク	锁紧扭力	0.8N.m (7.0Lb.In)
Ambient temperature	環境温度	环境温度	-40°C~+105°C
Stripping length	電線剥き長	剥线长度	7mm
Dimensions	寸法	尺寸	
Pitch	ピッチ	间距	9.52mm(.375")
Poles	極数	极数	2*(5P-18P)
Material	材質及びメッキ	材质及电镀	
Housing	本体	塑件	PA66+GF, UL94V-0
Terminal	導電板	端子	Copper alloy, Tin Plated 銅合金, 錫メッキ 銅合金, 鍍錫
Screws	結線ビス	螺丝	Steel, Ni Plated 鋼, ニッケルメッキ 鋼, 鍍镍
Other Data	他の情報	其他信息	
PCB Hole Diameter	PCB取付穴径	PCB板孔径	φ1.5mm

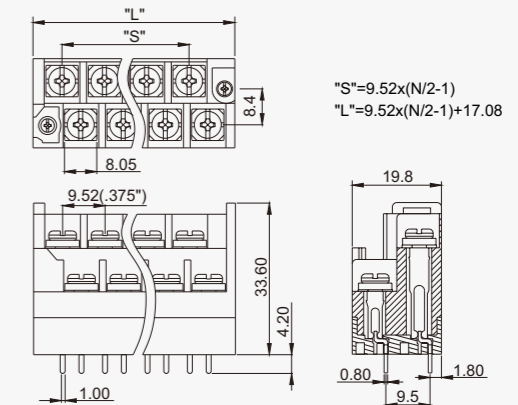
HOW TO ORDER 製品型番 订货方法



DG44B-1-B

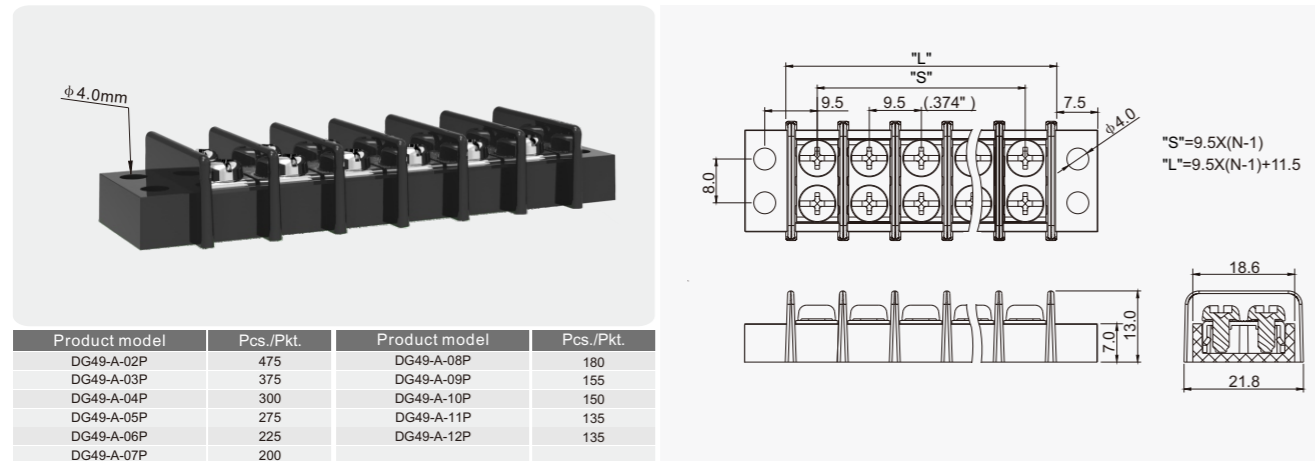


Product model	Pcs./Pkt.	Product model	Pcs./Pkt.
DG44B-1-B-04P	225	DG44B-1-B-18P	65
DG44B-1-B-08P	130	DG44B-1-B-20P	44
DG44B-1-B-10P	70	DG44B-1-B-24P	50
DG44B-1-B-12P	100	DG44B-1-B-26P	30
DG44B-1-B-14P	55	DG44B-1-B-28P	32
DG44B-1-B-16P	54		



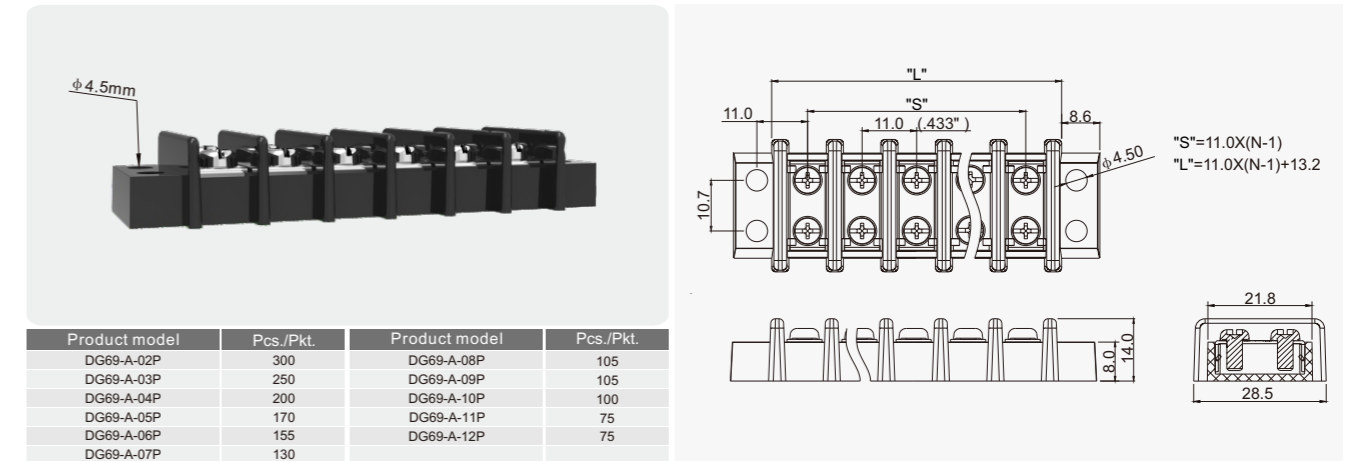
Poles	4	6	8	10	12	14	16	18	20
L	26.60mm(1.047")	36.12mm(1.422")	45.64mm(1.797")	55.16mm(1.172")	64.68mm(2.546")	74.20mm(2.921")	83.72mm(3.296")	93.24mm(3.671")	102.76mm(4.046")
S	9.52mm(.375")	19.04mm(.750")	28.56mm(1.124")	38.08mm(1.499")	47.60mm(1.874")	57.12mm(2.249")	66.64mm(2.624")	76.16mm(2.998")	85.68mm(3.373")
Poles	22	24	26	28	30	32	34	36	
L	112.28mm(4.420")	121.80mm(4.795")	131.32mm(5.170")	140.84mm(5.545")	150.36mm(5.920")	159.88mm(6.294")	169.40mm(6.669")	178.92mm(7.044")	
S	95.20mm(3.748")	104.72mm(4.123")	114.24mm(4.498")	123.76mm(4.872")	133.28mm(5.247")	142.80mm(5.622")	152.32mm(5.997")	161.84mm(6.372")	

DG49-A



Product model	Pcs./Pkt.	Product model	Pcs./Pkt.
DG49-A-02P	475	DG49-A-08P	180
DG49-A-03P	375	DG49-A-09P	155
DG49-A-04P	300	DG49-A-10P	150
DG49-A-05P	275	DG49-A-11P	135
DG49-A-06P	225	DG49-A-12P	135
DG49-A-07P	200		

DG69-A

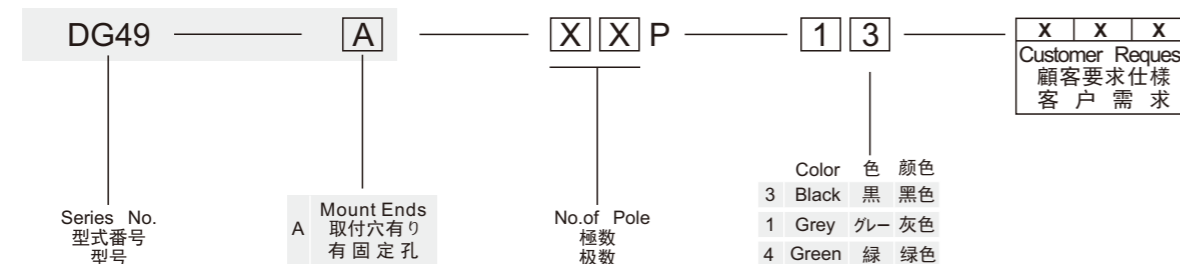


Product model	Pcs./Pkt.	Product model	Pcs./Pkt.
DG69-A-02P	300	DG69-A-08P	105
DG69-A-03P	250	DG69-A-09P	105
DG69-A-04P	200	DG69-A-10P	100
DG69-A-05P	170	DG69-A-11P	75
DG69-A-06P	155	DG69-A-12P	75
DG69-A-07P	130		



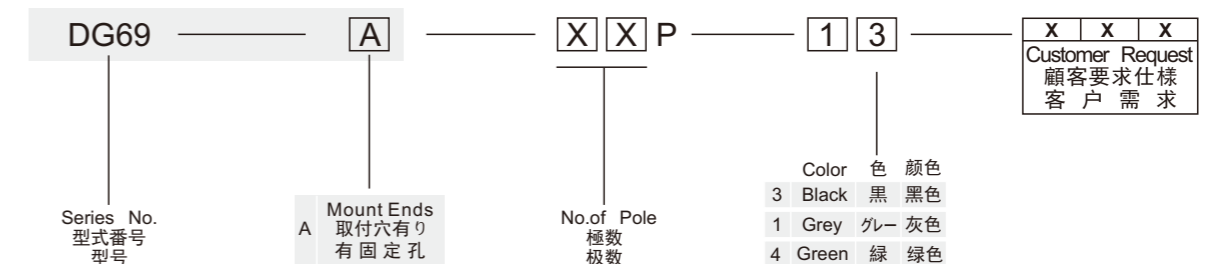
Electrical	電気性能	电气性能	UL1059 & CSA C22.2 NO.158		
Standard	安全規格	参考标准	UL1059 & CSA C22.2 NO.158		
Use group	使用レベル	使用级别	B	C	D
Rated voltage	定格電圧	额定电压	300V	150V	300V
Rated current	定格電流	额定电流	20A	20A	10A
Wire range	電線径	导线线径	22-12AWG		
Ring/Fork terminals	丸型圧着端子 先開型圧着端子	预绝缘端子 预绝缘端子	0.5-2.5mm ² /22-14AWG 0.5-2.5mm ² /22-14AWG		
Withstanding voltage	耐電圧	耐电压	AC1600V/1Min		
Insulation Resistance	絶縁抵抗	绝缘阻抗	500MΩ/DC500V		
Mechanical	機械性能	机械性能	0.8N.m (7.0Lb.In)		
Torque Value	ネジ締付トルク	锁紧扭力	0.8N.m (7.0Lb.In)		
Ambient temperature	環境温度	环境温度	-40°C~+120°C		
Stripping length	電線剥き長	剥线长度	8-9mm		
Dimensions	寸法	尺寸	9.5mm(.374")		
Pitch	ピッチ	间距	9.5mm(.374")		
Poles	極数	极数	2P-24P		
Material	材質及びメッキ	材质及电镀	PC, UL94V-2		
Housing	本体	塑件	PC, UL94V-2		
Terminal	導電板	端子	Copper alloy, Tin Plated	銅合金, 錫メッキ	铜合金, 镀锡
Screws	結線ビス	螺丝	Steel, Ni Plated	鋼, ニッケルメッキ	钢, 镀锌
Other Data	他の情報	其他信息	φ4.5mm		
PCB Hole Diameter	PCB取付穴径	PCB板孔径	φ4.5mm		

HOW TO ORDER 製品型番 订货方法

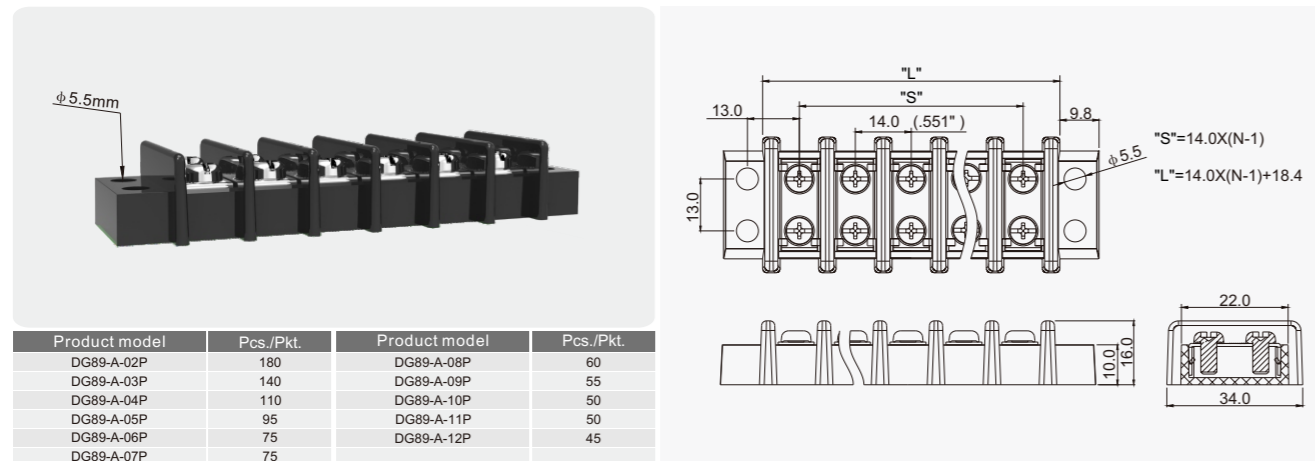


Electrical	電気性能	电气性能	UL1059 & CSA C22.2 NO.158		
Standard	安全規格	参考标准	UL1059 & CSA C22.2 NO.158		
Use group	使用レベル	使用级别	B	C	D
Rated voltage	定格電圧	额定电压	300V	300V	300V
Rated current	定格電流	额定电流	25A	25A	10A
Wire range	電線径	导线线径	22-12AWG		
Ring/Fork terminals	丸型圧着端子 先開型圧着端子	预绝缘端子 预绝缘端子	0.5-2.5mm ² /22-14AWG 0.5-4.0mm ² /22-12AWG		
Withstanding voltage	耐電圧	耐电压	AC1600V/1Min		
Insulation Resistance	絶縁抵抗	绝缘阻抗	500MΩ/DC500V		
Mechanical	機械性能	机械性能	0.8N.m (7.0Lb.In)		
Torque Value	ネジ締付トルク	锁紧扭力	0.8N.m (7.0Lb.In)		
Ambient temperature	環境温度	环境温度	-40°C~+120°C		
Stripping length	電線剥き長	剥线长度	9-10mm		
Dimensions	寸法	尺寸	11.0mm(.433")		
Pitch	ピッチ	间距	11.0mm(.433")		
Poles	極数	极数	2P-18P		
Material	材質及びメッキ	材质及电镀	PC, UL94V-2		
Housing	本体	塑件	PC, UL94V-2		
Terminal	導電板	端子	Copper alloy, Tin Plated	銅合金, 錫メッキ	铜合金, 镀锡
Screws	結線ビス	螺丝	Steel, Ni Plated	鋼, ニッケルメッキ	钢, 镀锌
Other Data	他の情報	其他信息	φ5.0mm		
PCB Hole Diameter	PCB取付穴径	PCB板孔径	φ5.0mm		

HOW TO ORDER 製品型番 订货方法

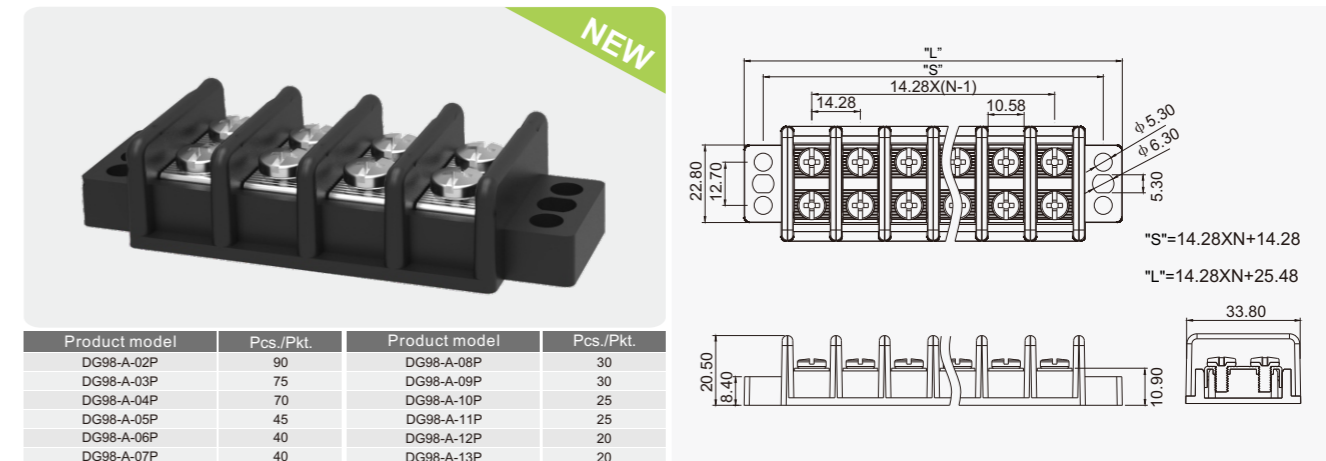


DG89-A



Product model	Pcs./Pkt.	Product model	Pcs./Pkt.
DG89-A-02P	180	DG89-A-08P	60
DG89-A-03P	140	DG89-A-09P	55
DG89-A-04P	110	DG89-A-10P	50
DG89-A-05P	95	DG89-A-11P	50
DG89-A-06P	75	DG89-A-12P	45
DG89-A-07P	75		

DG98-A

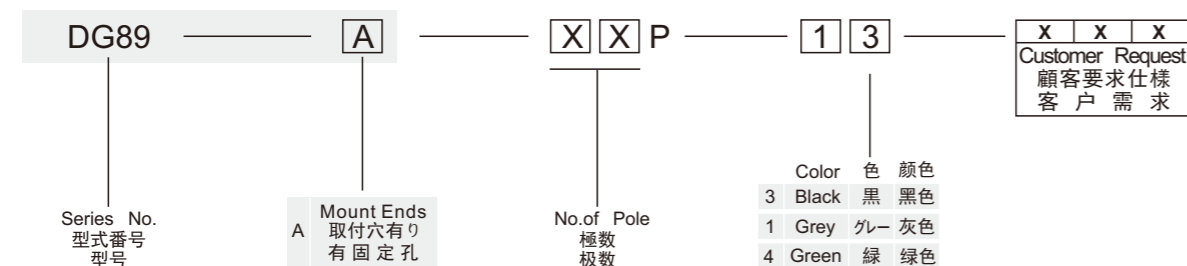


Product model	Pcs./Pkt.	Product model	Pcs./Pkt.
DG98-A-02P	90	DG98-A-08P	30
DG98-A-03P	75	DG98-A-09P	30
DG98-A-04P	70	DG98-A-10P	25
DG98-A-05P	45	DG98-A-11P	25
DG98-A-06P	40	DG98-A-12P	20
DG98-A-07P	40	DG98-A-13P	20



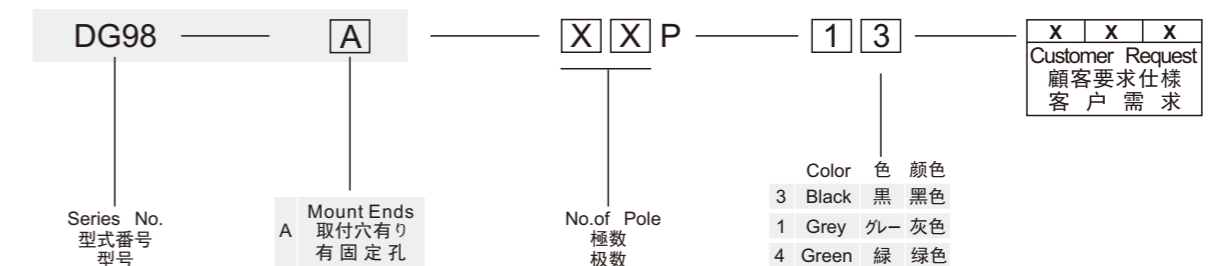
Electrical	電気性能	电气性能	UL1059 & CSA C22.2 NO.158		
Standard	安全規格	参考标准	UL1059 & CSA C22.2 NO.158		
Use group	使用レベル	使用级别	B	C	D
Rated voltage	定格電圧	额定电压	300V	300V	600V
Rated current	定格電流	额定电流	30A	30A	5A
Wire range	電線径	导线线径	22-10AWG		
Ring/Fork terminals	丸型圧着端子 先開型圧着端子	预绝缘端子	0.2-6.0mm ² /22-10AWG 0.5-6.0mm ² /22-10AWG		
Withstanding voltage	耐電圧	耐电压	AC1600V/1Min		
Insulation Resistance	絶縁阻抗	绝缘阻抗	500MΩ/DC500V		
Mechanical	機械性能	机械性能	1.2N.m (10.5Lb.In)		
Torque Value	ネジ締付トルク	锁紧扭力	1.2N.m (10.5Lb.In)		
Ambient temperature	環境温度	环境温度	-40°C~+120°C		
Stripping length	電線剥き長	剥线长度	10-11mm		
Dimensions	寸法	尺寸	14.0mm(.551")		
Pitch	ピッチ	间距	14.0mm(.551")		
Poles	極数	极数	2P-18P		
Material	材質及びメッキ	材质及电镀	PC, UL94V-2		
Housing	本体	塑件	PC, UL94V-2		
Terminal	導電板	端子	Copper alloy, Tin Plated	銅合金, 錫メッキ	铜合金, 镀锡
Screws	結線ビス	螺丝	Steel, Ni Plated	鋼, ニッケルメッキ	钢, 镀锌
Other Data	他の情報	其他信息	φ6.0mm		
PCB Hole Diameter	PCB取付穴径	PCB板孔径	φ6.0mm		

HOW TO ORDER 製品型番 订货方法

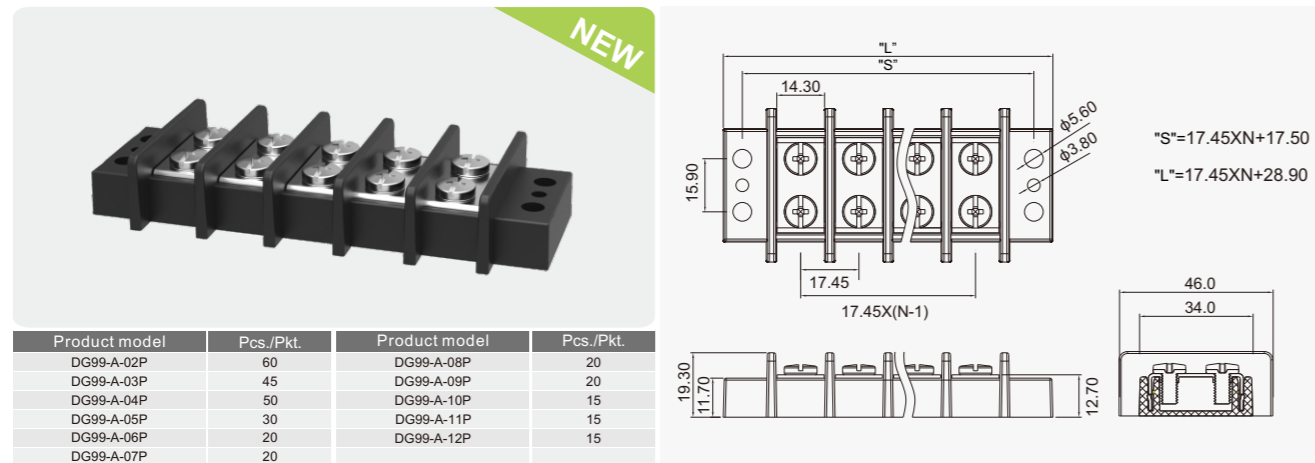


Electrical	電気性能	电气性能	UL1059 & CSA C22.2 NO.158		
Standard	安全規格	参考标准	UL1059 & CSA C22.2 NO.158		
Use group	使用レベル	使用级别	B	C	D
Rated voltage	定格電圧	额定电压	600V	600V	600V
Rated current	定格電流	额定电流	45A	45A	5A
Wire range	電線径	导线线径	22-8AWG		
Ring/Fork terminals	丸型圧着端子 先開型圧着端子	预绝缘端子	22-8AWG		
Withstanding voltage	耐電圧	耐电压	AC2200V/1Min		
Insulation Resistance	絶縁阻抗	绝缘阻抗	500MΩ/DC500V		
Mechanical	機械性能	机械性能	2.0N.m (17.5Lb.In)		
Torque Value	ネジ締付トルク	锁紧扭力	2.0N.m (17.5Lb.In)		
Ambient temperature	環境温度	环境温度	-40°C~+105°C		
Stripping length	電線剥き長	剥线长度	-		
Dimensions	寸法	尺寸	14.28mm(.56")		
Pitch	ピッチ	间距	14.28mm(.56")		
Poles	極数	极数	2P-13P		
Material	材質及びメッキ	材质及电镀	PC, UL94V-0		
Housing	本体	塑件	PC, UL94V-0		
Terminal	導電板	端子	Copper alloy, Tin Plated	銅合金, 錫メッキ	铜合金, 镀锡
Screws	結線ビス	螺丝	Steel, Cr ³⁺ zn Plated	鋼, 亜鉛メッキ	钢, 镀锌
Other Data	他の情報	其他信息	-		
PCB Hole Diameter	PCB取付穴径	PCB板孔径	-		

HOW TO ORDER 製品型番 订货方法



DG99-A

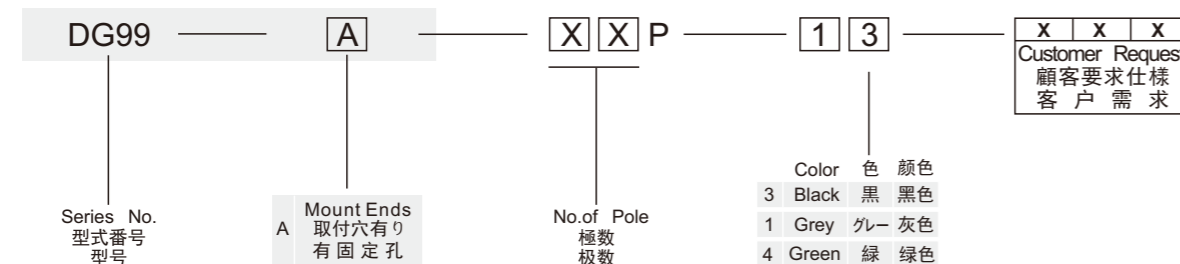


Product model	Pcs./Pkt.	Product model	Pcs./Pkt.
DG99-A-02P	60	DG99-A-08P	20
DG99-A-03P	45	DG99-A-09P	20
DG99-A-04P	50	DG99-A-10P	15
DG99-A-05P	30	DG99-A-11P	15
DG99-A-06P	20	DG99-A-12P	15
DG99-A-07P	20		

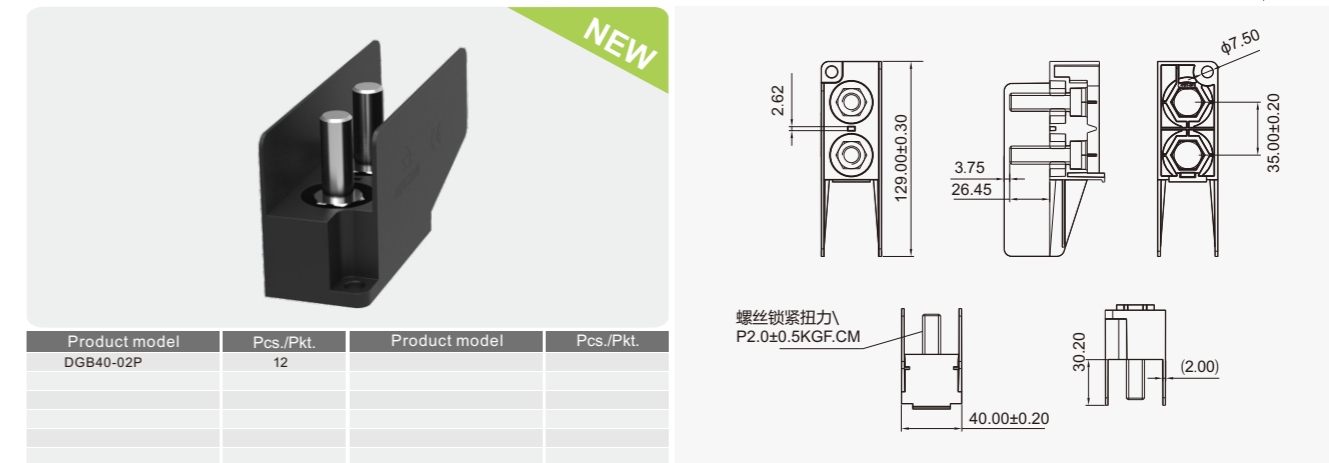


Electrical	電気性能	电气性能	UL1059 & CSA C22.2 NO.158		
Standard	安全規格	参考标准	UL1059 & CSA C22.2 NO.158		
Use group	使用レベル	使用级别	B	C	D
Rated voltage	定格電圧	额定电压	600V	600V	600V
Rated current	定格電流	额定电流	75A	75A	5A
Wire range	電線径	导线线径	14-4AWG		
Ring/Fork terminals	<input type="checkbox"/> 丸型圧着端子 <input type="checkbox"/> 先開型圧着端子	<input type="checkbox"/> 预绝缘端子 <input type="checkbox"/> 预绝缘端子	14-4AWG		
Withstanding voltage	耐電圧	耐电压	AC2200V/1Min		
Insulation Resistance	絶縁阻抗	绝缘阻抗	500MΩ/DC500V		
Mechanical	機械性能	机械性能			
Torque Value	ネジ締付トルク	锁紧扭力	2.0N.m (17.5Lb.In)		
Ambient temperature	環境温度	环境温度	-40°C~+125°C		
Stripping length	電線剥き長	剥线长度	-		
Dimensions	寸法	尺寸			
Pitch	ピッチ	间距	17.45mm(.687")		
Poles	極数	极数	2P-12P		
Material	材質及びメッキ	材质及电镀			
Housing	本体	塑件	PC, UL94V-2		
Terminal	導電板	端子	Copper alloy, Tin Plated	銅合金, 錫メッキ	铜合金, 镀锡
Screws	結線ビス	螺丝	Steel, Cr ³⁺ zn Plated	鋼, 亜鉛メッキ	钢, 镀锌
Other Data	他の情報	其他信息			
PCB Hole Diameter	PCB取付穴径	PCB板孔径	-		

HOW TO ORDER 製品型番 订货方法



DGB40



Product model	Pcs./Pkt.	Product model	Pcs./Pkt.
DGB40-02P	12		

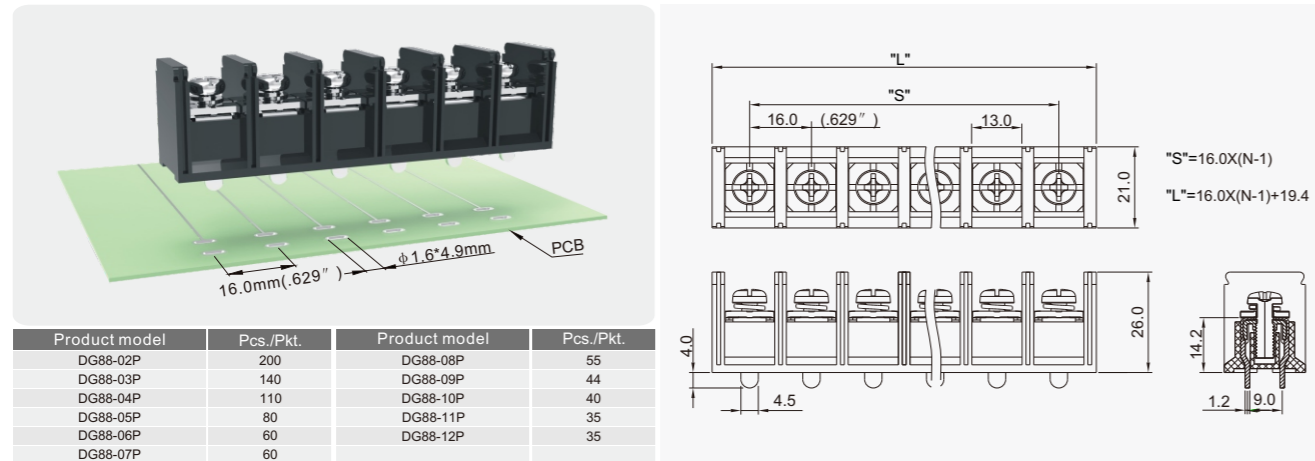


Electrical	電気性能	电气性能	UL1059 & CSA C22.2 NO.158		
Standard	安全規格	参考标准	UL1059 & CSA C22.2 NO.158		
Use group	使用レベル	使用级别	B	C	D
Rated voltage	定格電圧	额定电压	600V	600V	600V
Rated current	定格電流	额定电流	-	-	-
Wire range	電線径	导线线径	-		
Ring/Fork terminals	<input type="checkbox"/> 丸型圧着端子 <input type="checkbox"/> 先開型圧着端子	<input type="checkbox"/> 预绝缘端子 <input type="checkbox"/> 预绝缘端子	-		
Withstanding voltage	耐電圧	耐电压	AC2200V/1Min		
Insulation Resistance	絶縁阻抗	绝缘阻抗	500MΩ/DC500V		
Mechanical	機械性能	机械性能			
Torque Value	ネジ締付トルク	锁紧扭力	10N.m (350.0Lb.In)		
Ambient temperature	環境温度	环境温度	-30°C~+120°C		
Stripping length	電線剥き長	剥线长度	-		
Dimensions	寸法	尺寸			
Pitch	ピッチ	间距	40		
Poles	極数	极数	2P		
Material	材質及びメッキ	材质及电镀			
Housing	本体	塑件	PC, UL94V-0		
Screws	結線ビス	螺丝	Steel, Cr ³⁺ zn Plated, Nut Cr ³⁺ zn Plated	鋼, 亜鉛メッキ, ナット亜鉛メッキ	钢, 镀锌, 螺母镀锌
Other Data	他の情報	其他信息			
PCB Hole Diameter	PCB取付穴径	PCB板孔径	φ1.2*2.2mm		

HOW TO ORDER 製品型番 订货方法

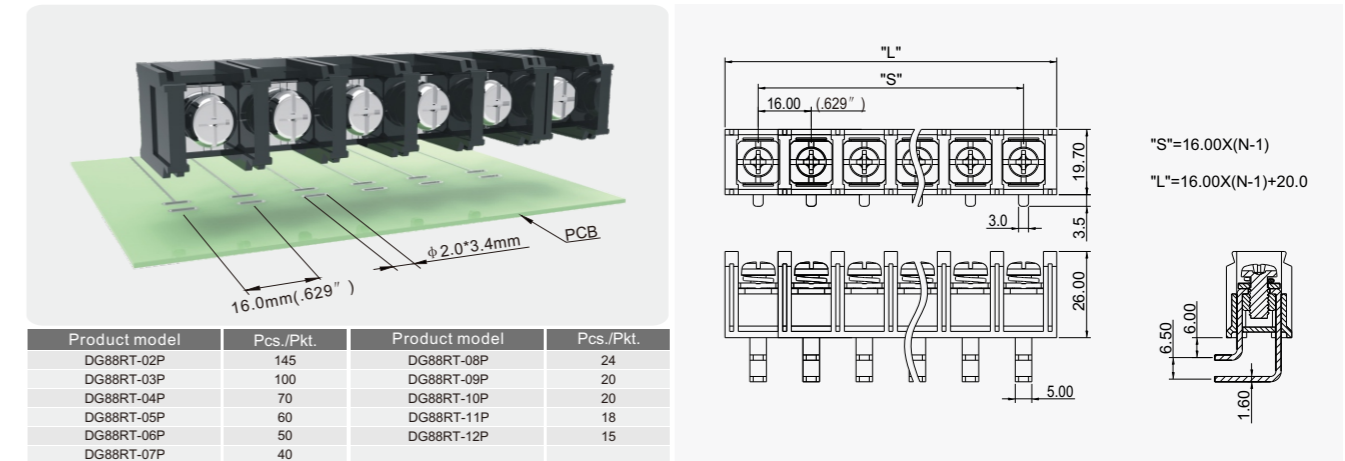


DG88



Product model	Pcs./Pkt.	Product model	Pcs./Pkt.
DG88-02P	200	DG88-08P	55
DG88-03P	140	DG88-09P	44
DG88-04P	110	DG88-10P	40
DG88-05P	80	DG88-11P	35
DG88-06P	60	DG88-12P	35
DG88-07P	60		

DG88RT

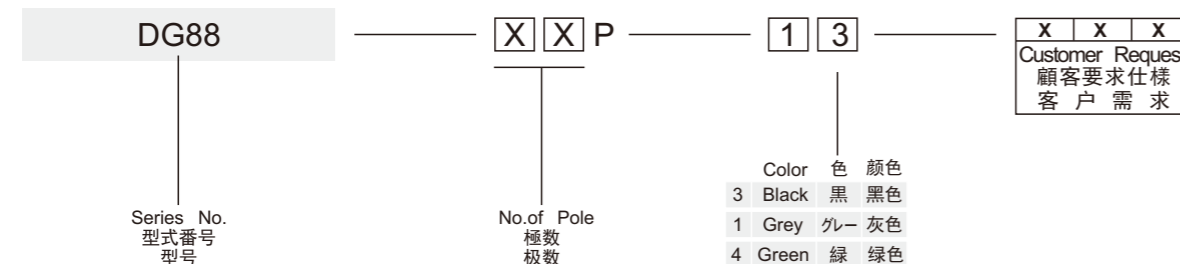


Product model	Pcs./Pkt.	Product model	Pcs./Pkt.
DG88RT-02P	145	DG88RT-08P	24
DG88RT-03P	100	DG88RT-09P	20
DG88RT-04P	70	DG88RT-10P	20
DG88RT-05P	60	DG88RT-11P	18
DG88RT-06P	50	DG88RT-12P	15
DG88RT-07P	40		



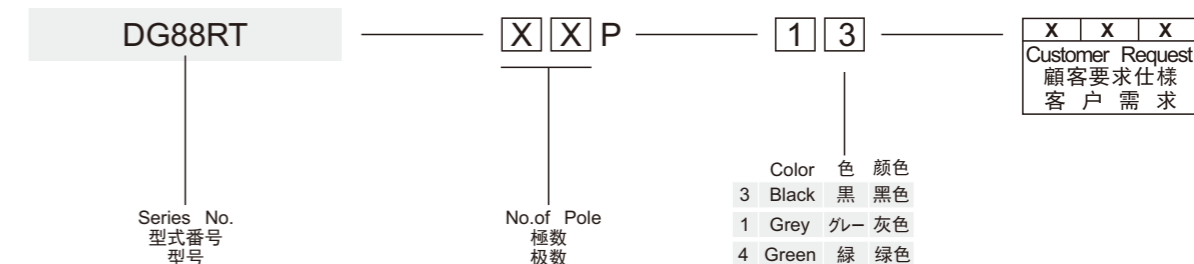
Electrical	電気性能	电气性能	UL1059 & CSA C22.2 NO.158		
Standard	安全規格	参考标准	UL1059 & CSA C22.2 NO.158		
Use group	使用レベル	使用级别	B	C	D
Rated voltage	定格電圧	额定电压	600V	600V	600V
Rated current	定格電流	额定电流	100A	100A	5A
Wire range	電線径	导线线径	14-3AWG		
Ring/Fork terminals	丸型圧着端子 先開型圧着端子	预绝缘端子	0.2-6.0mm ² /14-10AWG 0.5-6.0mm ² /14-10AWG		
Withstanding voltage	耐電圧	耐电压	AC2200V/1Min		
Insulation Resistance	絶縁阻抗	绝缘阻抗	500MΩ/DC500V		
Mechanical	機械性能	机械性能	2.0N.m (17.5Lb.In)		
Torque Value	ネジ締付トルク	锁紧扭力	2.0N.m (17.5Lb.In)		
Ambient temperature	環境温度	环境温度	-40°C~+105°C		
Stripping length	電線剥き長	剥线长度	12-13mm		
Dimensions	寸法	尺寸	16.0mm(.629")		
Pitch	ピッチ	间距	16.0mm(.629")		
Poles	極数	极数	2P-20P		
Material	材質及びメッキ	材质及电镀	PA66, UL94V-0		
Housing	本体	塑件	PA66, UL94V-0		
Terminal	導電板	端子	Copper, Tin Plated	赤銅, 錫メッキ	紫銅, 鍍錫
Screws	結線ビス	螺丝	Steel, Ni Plated	鋼, ニッケルメッキ	鋼, 鍍銀
Other Data	他の情報	其他信息	φ1.6*4.9mm		
PCB Hole Diameter	PCB取付穴径	PCB板孔径	φ1.6*4.9mm		

HOW TO ORDER 製品型番 订货方法



Electrical	電気性能	电气性能	UL1059 & CSA C22.2 NO.158		
Standard	安全規格	参考标准	UL1059 & CSA C22.2 NO.158		
Use group	使用レベル	使用级别	B	C	D
Rated voltage	定格電圧	额定电压	600V	600V	600V
Rated current	定格電流	额定电流	100A	100A	5A
Wire range	電線径	导线线径	8-3AWG		
Ring/Fork terminals	丸型圧着端子 先開型圧着端子	预绝缘端子	0.5-16mm ² /10-6AWG 1.0-16mm ² /10-6AWG		
Withstanding voltage	耐電圧	耐电压	AC2200V/1Min		
Insulation Resistance	絶縁阻抗	绝缘阻抗	500MΩ/DC500V		
Mechanical	機械性能	机械性能	2.5N.m (22.15Lb.In)		
Torque Value	ネジ締付トルク	锁紧扭力	2.5N.m (22.15Lb.In)		
Ambient temperature	環境温度	环境温度	-40°C~+105°C		
Stripping length	電線剥き長	剥线长度	11-12mm		
Dimensions	寸法	尺寸	16.0mm(.629")		
Pitch	ピッチ	间距	16.0mm(.629")		
Poles	極数	极数	2P-12P		
Material	材質及びメッキ	材质及电镀	PA66, UL94V-0		
Housing	本体	塑件	PA66, UL94V-0		
Terminal	導電板	端子	Copper, Tin Plated	赤銅, 錫メッキ	紫銅, 鍍錫
Screws	結線ビス	螺丝	Steel, Ni Plated	鋼, ニッケルメッキ	鋼, 鍍銀
Other Data	他の情報	其他信息	φ2.0*3.4mm		
PCB Hole Diameter	PCB取付穴径	PCB板孔径	φ2.0*3.4mm		

HOW TO ORDER 製品型番 订货方法



DG46-DA/DB

Product model	Pcs./Pkt.	Product model	Pcs./Pkt.
DG46-DA/DB-02P	300	DG46-DA/DB-08P	170
DG46-DA/DB-03P	450	DG46-DA/DB-09P	150
DG46-DA/DB-04P	350	DG46-DA/DB-10P	140
DG46-DA/DB-05P	270	DG46-DA/DB-11P	130
DG46-DA/DB-06P	230	DG46-DA/DB-12P	110
DG46-DA/DB-07P	200		

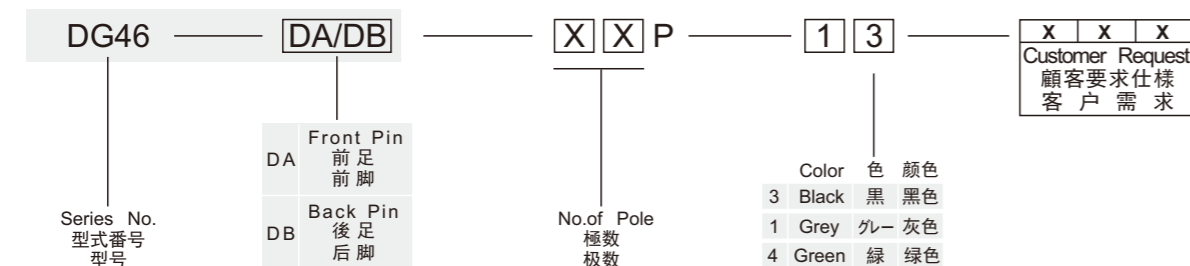
DG66-DA/DB

Product model	Pcs./Pkt.	Product model	Pcs./Pkt.
DG66-DA/DB-02P	200	DG66-DA/DB-08P	120
DG66-DA/DB-03P	315	DG66-DA/DB-09P	100
DG66-DA/DB-04P	245	DG66-DA/DB-10P	95
DG66-DA/DB-05P	195	DG66-DA/DB-11P	95
DG66-DA/DB-06P	155	DG66-DA/DB-12P	70
DG66-DA/DB-07P	145		



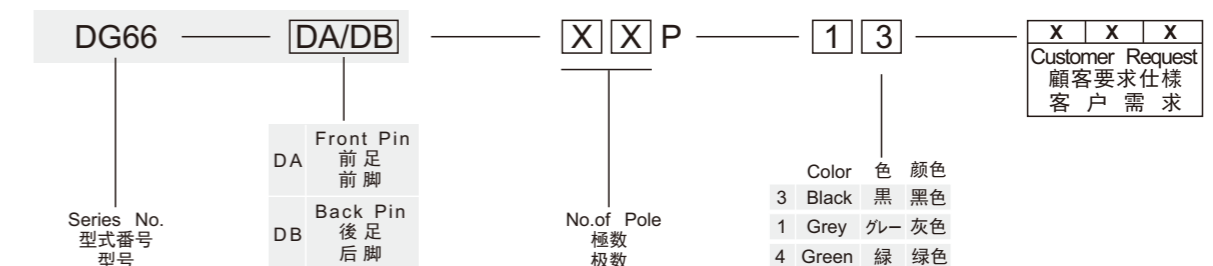
Electrical	電気性能	电气性能	UL1059 & CSA C22.2 NO.158		
Standard	安全規格	参考标准	UL1059 & CSA C22.2 NO.158		
Use group	使用レベル	使用级别	B	C	D
Rated voltage	定格電圧	额定电压	600V	600V	600V
Rated current	定格電流	额定电流	20A	20A	5A
Wire range	電線径	导线线径	24-12AWG		
Ring/Fork terminals	丸型圧着端子 先開型圧着端子	预绝缘端子	0.5-2.5mm ² /22-14AWG 0.5-2.5mm ² /22-14AWG		
Withstanding voltage	耐電圧	耐电压	AC2200V/1Min		
Insulation Resistance	絶縁抵抗	绝缘阻抗	500MΩ/DC500V		
Mechanical	機械性能	机械性能	0.8N.m (7.0Lb.In)		
Torque Value	ネジ締めトルク	锁紧扭力	0.8N.m (7.0Lb.In)		
Ambient temperature	環境温度	环境温度	-40°C~+105°C		
Stripping length	電線剥き長	剥线长度	7-8mm		
Dimensions	寸法	尺寸	8.8mm (.346")		
Pitch	ピッチ	间距	8.8mm (.346")		
Poles	極数	极数	2P-24P		
Material	材質及びメッキ	材质及电镀	PA66, UL94V-0		
Housing	本体	塑件	PA66, UL94V-0		
Terminal	導電板	端子	Copper, Tin Plated	赤銅, 錫メッキ	紫銅, 鍍錫
Screws	結線ビス	螺丝	Steel, Ni Plated	鋼, ニッケルメッキ	鋼, 鍍銀
Other Data	他の情報	其他信息	φ1.2*2.2mm		
PCB Hole Diameter	PCB取付穴径	PCB板孔径	φ1.2*2.2mm		

HOW TO ORDER 製品型番 订货方法

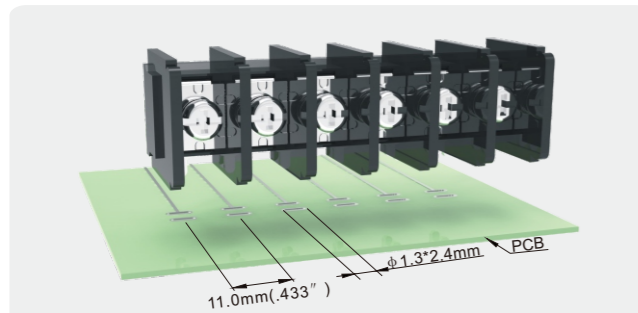


Electrical	電気性能	电气性能	UL1059 & CSA C22.2 NO.158		
Standard	安全規格	参考标准	UL1059 & CSA C22.2 NO.158		
Use group	使用レベル	使用级别	B	C	D
Rated voltage	定格電圧	额定电压	600V	600V	600V
Rated current	定格電流	额定电流	30A	30A	5A
Wire range	電線径	导线线径	22-10AWG		
Ring/Fork terminals	丸型圧着端子 先開型圧着端子	预绝缘端子	0.2-2.5mm ² /22-14AWG 0.2-4.0mm ² /22-10AWG		
Withstanding voltage	耐電圧	耐电压	AC2200V/1Min		
Insulation Resistance	絶縁抵抗	绝缘阻抗	500MΩ/DC500V		
Mechanical	機械性能	机械性能	1.2N.m (10.5Lb.In)		
Torque Value	ネジ締めトルク	锁紧扭力	1.2N.m (10.5Lb.In)		
Ambient temperature	環境温度	环境温度	-40°C~+105°C		
Stripping length	電線剥き長	剥线长度	8-9mm		
Dimensions	寸法	尺寸	11.0mm (.433")		
Pitch	ピッチ	间距	11.0mm (.433")		
Poles	極数	极数	2P-25P		
Material	材質及びメッキ	材质及电镀	PA66, UL94V-0		
Housing	本体	塑件	PA66, UL94V-0		
Terminal	導電板	端子	Copper, Tin Plated	赤銅, 錫メッキ	紫銅, 鍍錫
Screws	結線ビス	螺丝	Steel, Ni Plated	鋼, ニッケルメッキ	鋼, 鍍銀
Other Data	他の情報	其他信息	φ1.3*2.4mm		
PCB Hole Diameter	PCB取付穴径	PCB板孔径	φ1.3*2.4mm		

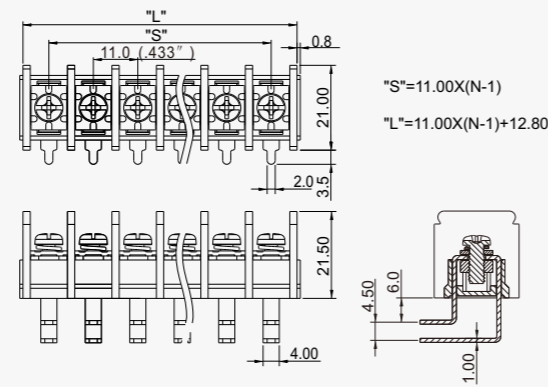
HOW TO ORDER 製品型番 订货方法



DG66RT



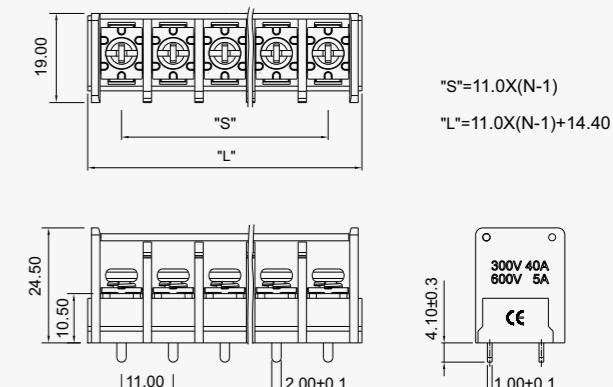
Product model	Pcs./Pkt.	Product model	Pcs./Pkt.
DG66RT-02P	300	DG66RT-08P	54
DG66RT-03P	200	DG66RT-09P	50
DG66RT-04P	140	DG66RT-10P	45
DG66RT-05P	110	DG66RT-11P	50
DG66RT-06P	90	DG66RT-12P	40
DG66RT-07P	80		



DG66VT

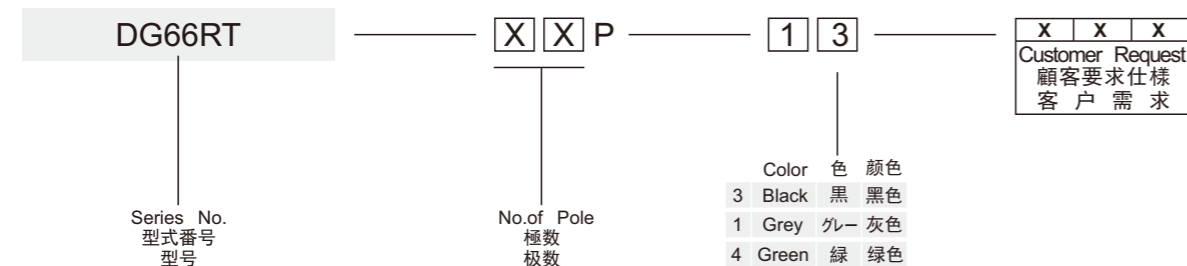


Product model	Pcs./Pkt.	Product model	Pcs./Pkt.
DG66VT-02P	300	DG66VT-08P	80
DG66VT-03P	210	DG66VT-09P	75
DG66VT-04P	150	DG66VT-10P	60
DG66VT-05P	120	DG66VT-11P	60
DG66VT-06P	90	DG66VT-12P	45
DG66VT-07P	90		



Electrical	電気性能	电气性能	UL1059 & CSA C22.2 NO.158		
Standard	安全規格	参考标准	UL1059 & CSA C22.2 NO.158		
Use group	使用レベル	使用级别	B	C	D
Rated voltage	定格電圧	额定电压	300V	300V	300V
Rated current	定格電流	额定电流	40A	40A	10A
Wire range	電線径	导线线径	18-8AWG		
Ring/Fork terminals	丸型圧着端子 先開型圧着端子	预绝缘端子 预绝缘端子	0.2-2.5mm ² /22-14AWG 0.5-4.0mm ² /22-10AWG		
Withstanding voltage	耐電圧	耐电压	AC1600V/1Min		
Insulation Resistance	絶縁阻抗	绝缘阻抗	500MΩ/DC500V		
Mechanical	機械性能	机械性能	1.2N.m (10.5Lb.In)		
Torque Value	ネジ締付トルク	锁紧扭力	1.2N.m (10.5Lb.In)		
Ambient temperature	環境温度	环境温度	-40°C~+105°C		
Stripping length	電線剥き長	剥线长度	7-8mm		
Dimensions	寸法	尺寸	11.0mm(.433")		
Pitch	ピッチ	间距	11.0mm(.433")		
Poles	極数	极数	2P-24P		
Material	材質及びメッキ	材质及电镀	PA66, UL94V-0		
Housing	本体	塑件	PA66, UL94V-0		
Terminal	導電板	端子	Copper, Tin Plated	赤銅, 錫メッキ	紫銅, 鍍錫
Screws	結線ビス	螺丝	Steel, Ni Plated	鋼, ニッケルメッキ	鋼, 鍍銀
Other Data	他の情報	其他信息	φ1.3*2.4mm		
PCB Hole Diameter	PCB取付穴径	PCB板孔径	φ1.3*2.4mm		

HOW TO ORDER 製品型番 订货方法

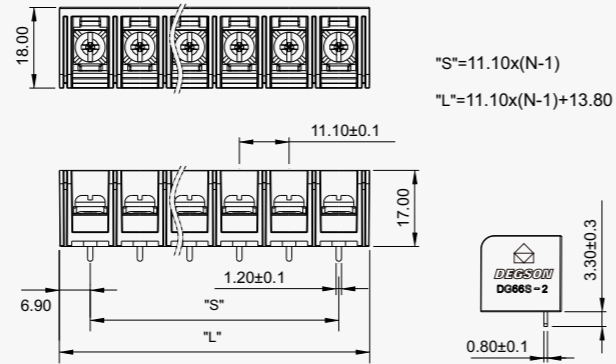
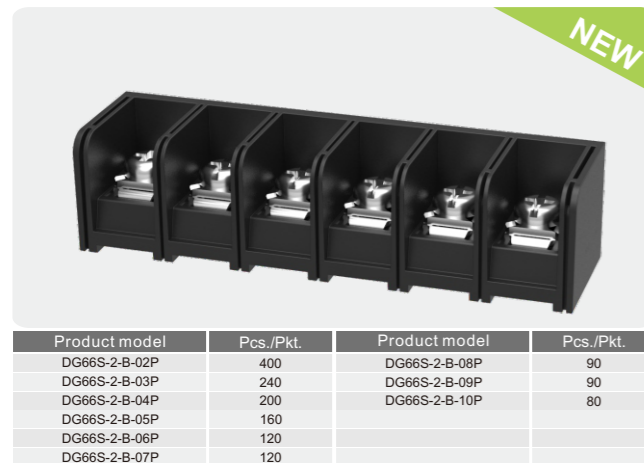


Electrical	電気性能	电气性能	UL1059 & CSA C22.2 NO.158		
Standard	安全規格	参考标准	UL1059 & CSA C22.2 NO.158		
Use group	使用レベル	使用级别	B	C	D
Rated voltage	定格電圧	额定电压	300V	300V	600V
Rated current	定格電流	额定电流	40A	40A	5A
Wire range	電線径	导线线径	18-8AWG		
Ring/Fork terminals	丸型圧着端子 先開型圧着端子	预绝缘端子 预绝缘端子	18-8AWG		
Withstanding voltage	耐電圧	耐电压	AC1600V/1Min		
Insulation Resistance	絶縁阻抗	绝缘阻抗	500MΩ/DC500V		
Mechanical	機械性能	机械性能	1.69N.m (14.8Lb.In)		
Torque Value	ネジ締付トルク	锁紧扭力	1.69N.m (14.8Lb.In)		
Ambient temperature	環境温度	环境温度	-40°C~+105°C		
Stripping length	電線剥き長	剥线长度	-		
Dimensions	寸法	尺寸	11.0mm(.433")		
Pitch	ピッチ	间距	11.0mm(.433")		
Poles	極数	极数	2P-12P		
Material	材質及びメッキ	材质及电镀	PC, UL94V-0		
Cover	カバー	盖板	PC, UL94V-0		
Housing	本体	塑件	PA66, UL94V-0		
Terminal	導電板	端子	Copper alloy, Tin Plated	銅合金, 錫メッキ	銅合金, 鍍錫
Screws	結線ビス	螺丝	Steel, Ni Plated, Nut Cr ²⁺ Zn Plated	鋼, ニッケルメッキ, ナット亜鉛メッキ	鋼, 鍍銀, 螺母鍍錫
Other Data	他の情報	其他信息	φ2.7mm		
PCB Hole Diameter	PCB取付穴径	PCB板孔径	φ2.7mm		

HOW TO ORDER 製品型番 订货方法

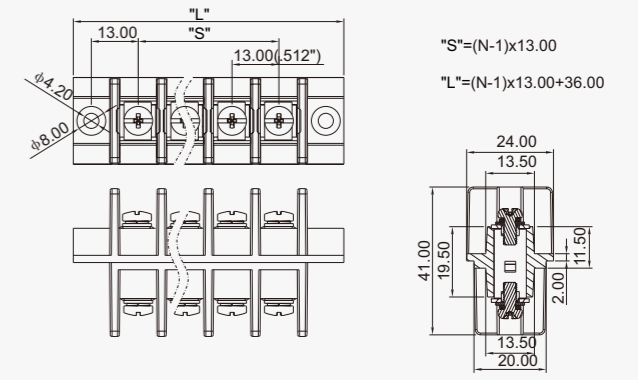
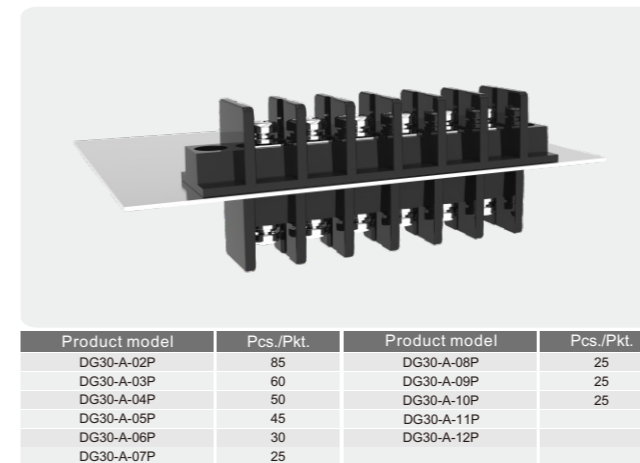


DG66S-2-B



Product model	Pcs./Pkt.	Product model	Pcs./Pkt.
DG66S-2-B-02P	400	DG66S-2-B-08P	90
DG66S-2-B-03P	240	DG66S-2-B-09P	90
DG66S-2-B-04P	200	DG66S-2-B-10P	80
DG66S-2-B-05P	160		
DG66S-2-B-06P	120		
DG66S-2-B-07P	120		

DG30-A

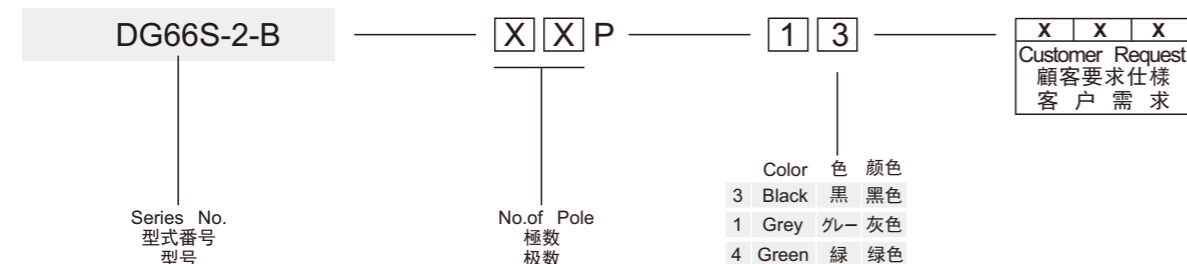


Product model	Pcs./Pkt.	Product model	Pcs./Pkt.
DG30-A-02P	85	DG30-A-08P	25
DG30-A-03P	60	DG30-A-09P	25
DG30-A-04P	50	DG30-A-10P	25
DG30-A-05P	45	DG30-A-11P	25
DG30-A-06P	30	DG30-A-12P	25
DG30-A-07P	25		



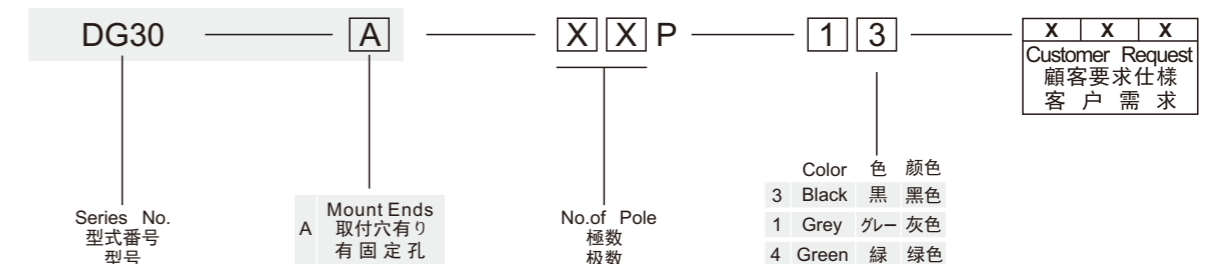
Electrical	電気性能	电气性能	UL1059 & CSA C22.2 NO.158		
Standard	安全規格	参考标准	UL1059 & CSA C22.2 NO.158		
Use group	使用レベル	使用级别	B	C	D
Rated voltage	定格電圧	额定电压	600V	600V	600V
Rated current	定格電流	额定电流	30A	30A	5A
Wire range	電線径	导线线径	22-10AWG		
Ring/Fork terminals	丸型圧着端子 先開型圧着端子	预绝缘端子	22-10AWG		
Withstanding voltage	耐電圧	耐电压	AC2200V/1Min		
Insulation Resistance	絶縁阻抗	绝缘阻抗	500MΩ/DC500V		
Mechanical	機械性能	机械性能	1.2N.m (10.5Lb.In)		
Torque Value	ネジ締付トルク	锁紧扭力	1.2N.m (10.5Lb.In)		
Ambient temperature	環境温度	环境温度	-40°C~+105°C		
Stripping length	電線剥き長	剥线长度	7-8mm		
Dimensions	寸法	尺寸	11.1mm (.437")		
Pitch	ピッチ	间距	11.1mm (.437")		
Poles	極数	极数	2P-10P		
Material	材質及びメッキ	材质及电镀	PA66, UL94V-0		
Housing	本体	塑件	PA66, UL94V-0		
Terminal	導電板	端子	Copper alloy, Tin Plated	銅合金, 錫メッキ	铜合金, 镀锡
Screws	結線ビス	螺丝	Steel, Ni Plated	鋼, ニッケルメッキ	钢, 镀镍
Other Data	他の情報	其他信息	φ1.8mm		
PCB Hole Diameter	PCB取付穴径	PCB板孔径	φ1.8mm		

HOW TO ORDER 製品型番 订货方法

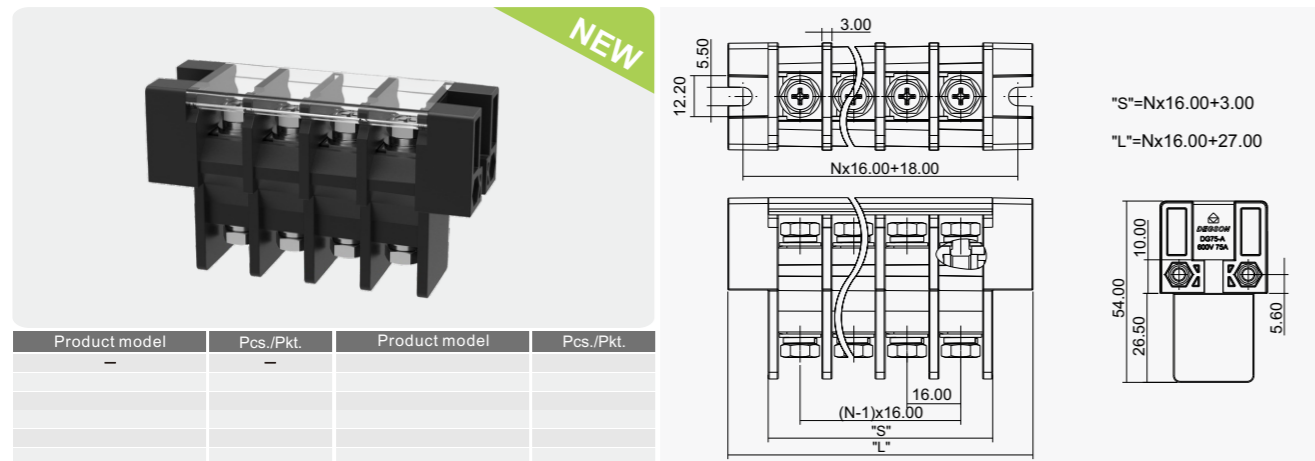


Electrical	電気性能	电气性能	UL1059 & CSA C22.2 NO.158		
Standard	安全規格	参考标准	UL1059 & CSA C22.2 NO.158		
Use group	使用レベル	使用级别	B	C	D
Rated voltage	定格電圧	额定电压	600V	600V	600V
Rated current	定格電流	额定电流	40A	40A	5A
Wire range	電線径	导线线径	28-10AWG		
Ring/Fork terminals	丸型圧着端子 先開型圧着端子	预绝缘端子	0.2-6.0mm ² /22-10AWG 0.5-6.0mm ² /22-10AWG		
Withstanding voltage	耐電圧	耐电压	AC2200V/1Min		
Insulation Resistance	絶縁阻抗	绝缘阻抗	500MΩ/DC500V		
Mechanical	機械性能	机械性能	1.2N.m (10.5Lb.In)		
Torque Value	ネジ締付トルク	锁紧扭力	1.2N.m (10.5Lb.In)		
Ambient temperature	環境温度	环境温度	-40°C~+105°C		
Stripping length	電線剥き長	剥线长度	8mm		
Dimensions	寸法	尺寸	13.0mm (.512")		
Pitch	ピッチ	间距	13.0mm (.512")		
Poles	極数	极数	2P-10P		
Material	材質及びメッキ	材质及电镀	PA66+GF, UL94V-0		
Housing	本体	塑件	PA66+GF, UL94V-0		
Terminal	導電板	端子	Copper alloy, Tin Plated	銅合金, 錫メッキ	铜合金, 镀锡
Screws	結線ビス	螺丝	Steel, Ni Plated	鋼, ニッケルメッキ	钢, 镀镍
Other Data	他の情報	其他信息	M4.0		
PCB Hole Diameter	PCB取付穴径	PCB板孔径	M4.0		

HOW TO ORDER 製品型番 订货方法

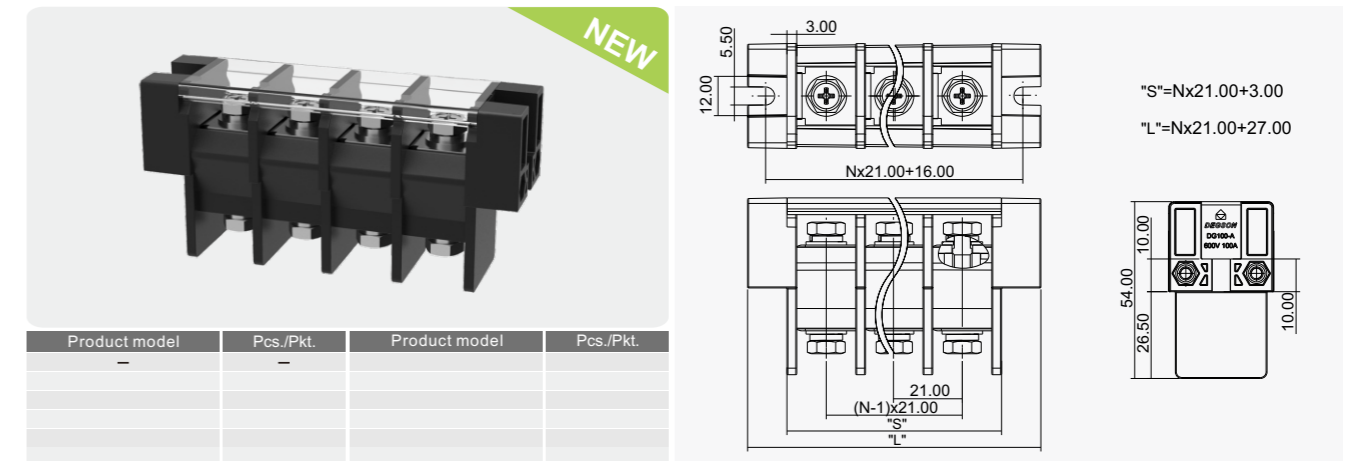


DG75-A



Product model	Pcs./Pkt.	Product model	Pcs./Pkt.
-	-	-	-
-	-	-	-
-	-	-	-

DG100-A

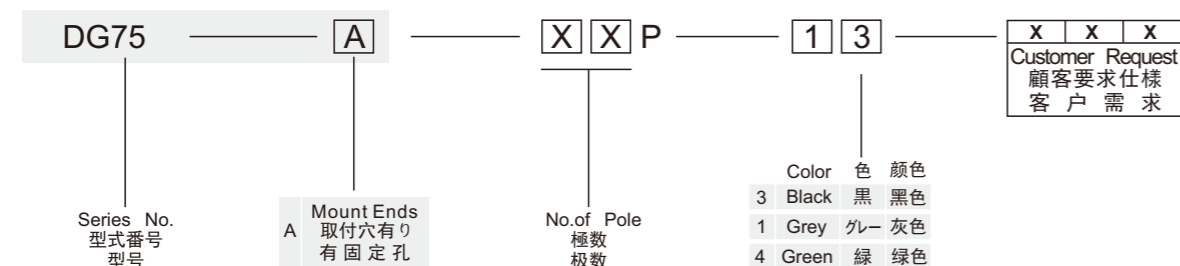


Product model	Pcs./Pkt.	Product model	Pcs./Pkt.
-	-	-	-
-	-	-	-
-	-	-	-

CE

Electrical	電気性能	电气性能	UL1059 & CSA C22.2 NO.158		
Standard	安全規格	参考标准	UL1059 & CSA C22.2 NO.158		
Use group	使用レベル	使用级别	B	C	D
Rated voltage	定格電圧	额定电压	600V	600V	600V
Rated current	定格電流	额定电流	75A	75A	5A
Wire range	電線径	导线线径	22-4AWG		
Ring/Fork terminals	<input type="checkbox"/> 丸型圧着端子 <input type="checkbox"/> 先開型圧着端子	<input type="checkbox"/> 预绝缘端子 <input type="checkbox"/> 预绝缘端子	22-4AWG		
Withstanding voltage	耐電圧	耐电压	AC2200V/1Min		
Insulation Resistance	絶縁抵抗	绝缘阻抗	500MΩ/DC500V		
Mechanical	機械性能	机械性能			
Torque Value	ネジ締付トルク	锁紧扭力	5.0N.m (43.75Lb.In)		
Ambient temperature	環境温度	环境温度	-40°C~+105°C		
Stripping length	電線剥き長	剥线长度	7-8mm		
Dimensions	寸法	尺寸			
Pitch	ピッチ	间距	16.0mm (.630")		
Poles	極数	极数	2P-10P		
Material	材質及びメッキ	材质及电镀			
Cover	カバー	盖板	PC, UL94V-2		
	本体	塑件	PBT, UL94V-0		
Terminal	導電板	端子	Copper alloy, Tin Plated	銅合金, 錫メッキ	铜合金, 鍍錫
Screws	結線ビス	螺丝	Steel, Ni Plated	鋼, ニッケルメッキ	钢, 鍍镍
Other Data	他の情報	其他信息			
PCB Hole Diameter	PCB取付穴径	PCB板孔径	-		

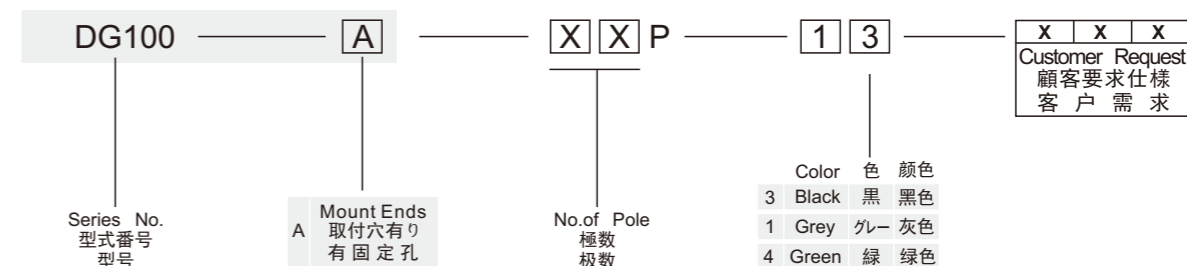
HOW TO ORDER 製品型番 订货方法



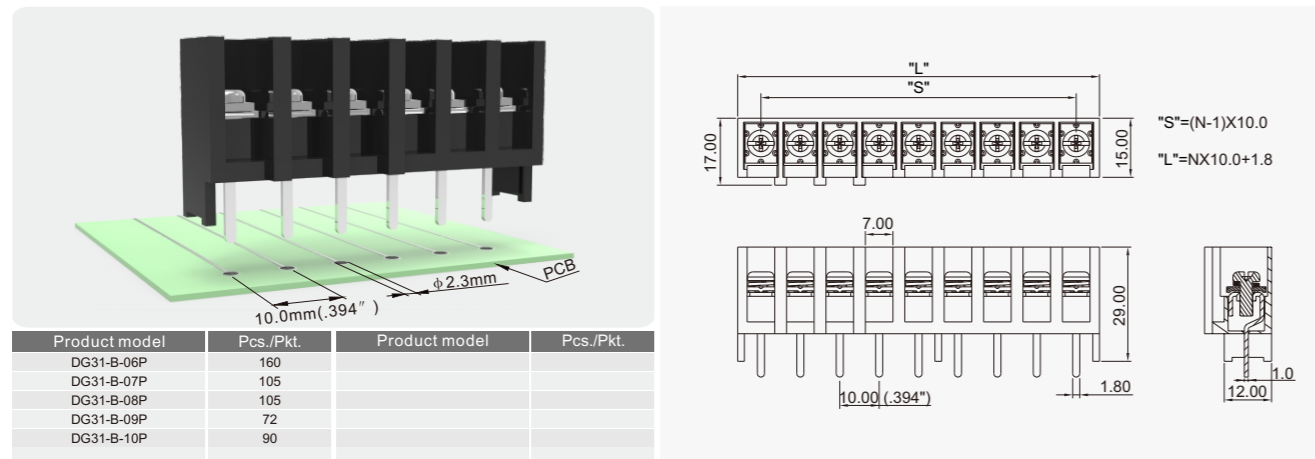
CE

Electrical	電気性能	电气性能	UL1059 & CSA C22.2 NO.158		
Standard	安全規格	参考标准	UL1059 & CSA C22.2 NO.158		
Use group	使用レベル	使用级别	B	C	D
Rated voltage	定格電圧	额定电压	600V	600V	600V
Rated current	定格電流	额定电流	100A	100A	5A
Wire range	電線径	导线线径	10-2AWG		
Ring/Fork terminals	<input type="checkbox"/> 丸型圧着端子 <input type="checkbox"/> 先開型圧着端子	<input type="checkbox"/> 预绝缘端子 <input type="checkbox"/> 预绝缘端子	10-2AWG		
Withstanding voltage	耐電圧	耐电压	AC1600V/1Min		
Insulation Resistance	絶縁抵抗	绝缘阻抗	500MΩ/DC500V		
Mechanical	機械性能	机械性能			
Torque Value	ネジ締付トルク	锁紧扭力	5.0N.m (43.75Lb.In)		
Ambient temperature	環境温度	环境温度	-40°C~+120°C		
Stripping length	電線剥き長	剥线长度	12-13mm		
Dimensions	寸法	尺寸			
Pitch	ピッチ	间距	21.0mm (.827")		
Poles	極数	极数	2P-10P		
Material	材質及びメッキ	材质及电镀			
Cover	カバー	盖板	PC, UL94V-2		
	本体	塑件	PBT, UL94V-0		
Terminal	導電板	端子	Copper alloy, Tin Plated	銅合金, 錫メッキ	铜合金, 鍍錫
Screws	結線ビス	螺丝	Steel, Ni Plated	鋼, ニッケルメッキ	钢, 鍍镍
Other Data	他の情報	其他信息			
PCB Hole Diameter	PCB取付穴径	PCB板孔径	-		

HOW TO ORDER 製品型番 订货方法

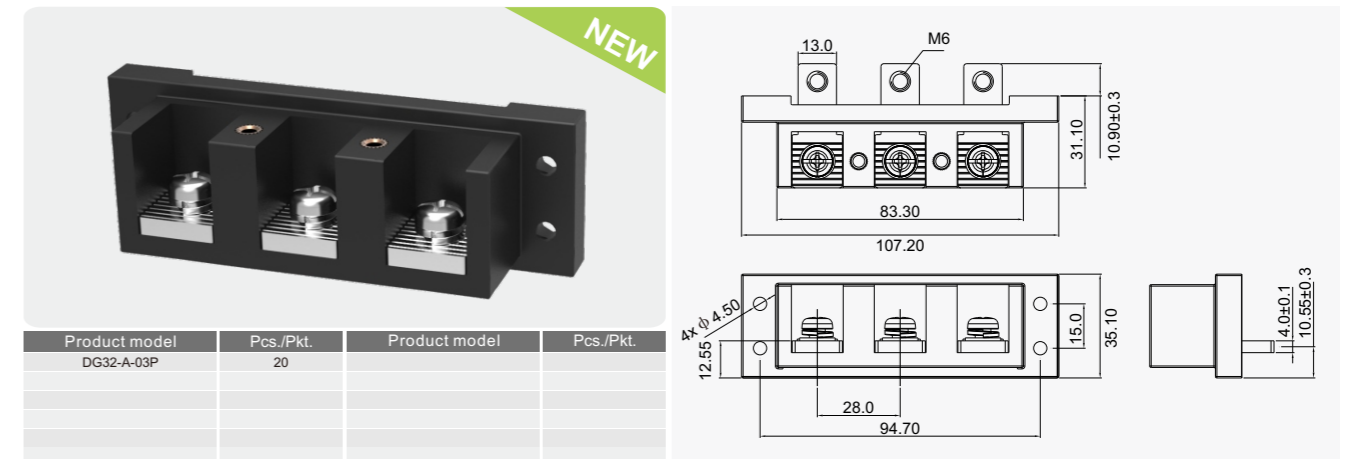


DG31-B



Product model	Pcs./Pkt.	Product model	Pcs./Pkt.
DG31-B-06P	160		
DG31-B-07P	105		
DG31-B-08P	105		
DG31-B-09P	72		
DG31-B-10P	90		

DG32-A

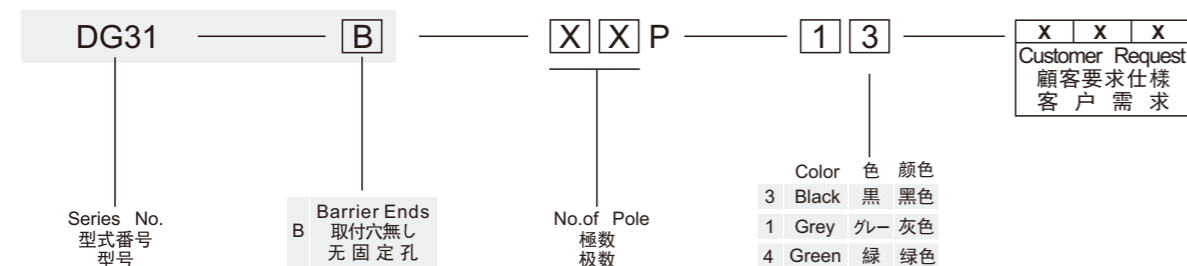


Product model	Pcs./Pkt.	Product model	Pcs./Pkt.
DG32-A-03P	20		



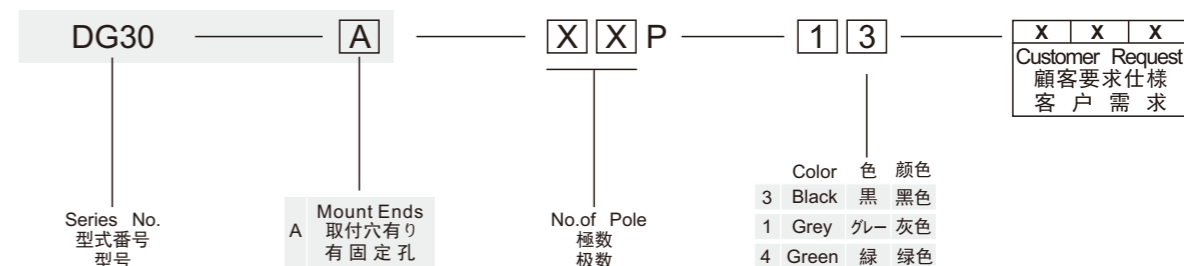
Electrical	電気性能	电气性能	UL1059 & CSA C22.2 NO.158		
Standard	安全規格	参考标准	UL1059 & CSA C22.2 NO.158		
Use group	使用レベル	使用级别	B	C	D
Rated voltage	定格電圧	额定电压	300V	300V	600V
Rated current	定格電流	额定电流	30A	30A	5A
Wire range	電線径	导线线径	18-10AWG		
Ring/Fork terminals	丸型圧着端子 先開型圧着端子	预绝缘端子	0.5-2.5mm ² /18-16AWG 0.5-2.5mm ² /18-14AWG		
Withstanding voltage	耐電圧	耐电压	AC1600V/1Min		
Insulation Resistance	絶縁抵抗	绝缘阻抗	500MΩ/DC500V		
Mechanical	機械性能	机械性能	1.2N.m (10.5Lb.In)		
Torque Value	ネジ締めトルク	锁紧扭力	1.2N.m (10.5Lb.In)		
Ambient temperature	環境温度	环境温度	-40°C~+105°C		
Stripping length	電線剥き長	剥线长度	7-10mm		
Dimensions	寸法	尺寸	10.0mm (.394")		
Pitch	ピッチ	间距	10.0mm (.394")		
Poles	極数	极数	6P-10P		
Material	材質及びメッキ	材质及电镀	PA66+GF, UL94V-0		
Housing	本体	塑件	PA66+GF, UL94V-0		
Terminal	導電板	端子	Copper alloy, Tin Plated	銅合金, 錫メッキ	铜合金, 镀锡
Screws	結線ビス	螺丝	Steel, Ni Plated	鋼, ニッケルメッキ	钢, 镀锌
Other Data	他の情報	其他信息	φ2.3mm		
PCB Hole Diameter	PCB取付穴径	PCB板孔径	φ2.3mm		

HOW TO ORDER 製品型番 订货方法

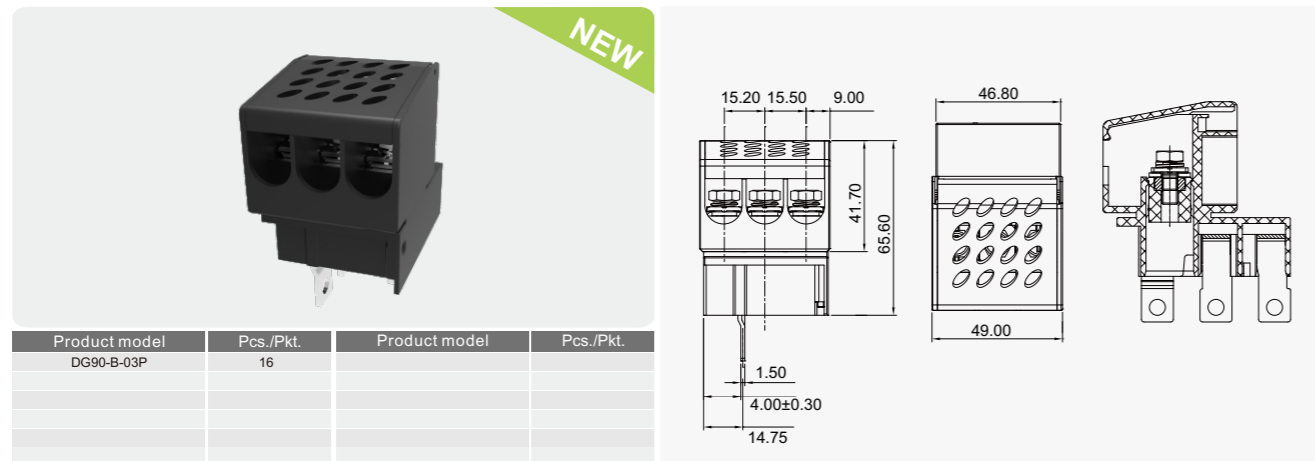


Electrical	電気性能	电气性能	UL1059 & CSA C22.2 NO.158		
Standard	安全規格	参考标准	UL1059 & CSA C22.2 NO.158		
Use group	使用レベル	使用级别	B	C	D
Rated voltage	定格電圧	额定电压	600V	600V	600V
Rated current	定格電流	额定电流	120A	120A	5A
Wire range	電線径	导线线径	20-2AWG		
Ring/Fork terminals	丸型圧着端子 先開型圧着端子	预绝缘端子	20-2AWG		
Withstanding voltage	耐電圧	耐电压	AC2200V/1Min		
Insulation Resistance	絶縁抵抗	绝缘阻抗	500MΩ/DC500V		
Mechanical	機械性能	机械性能	2.5N.m (21.9Lb.In)		
Torque Value	ネジ締めトルク	锁紧扭力	2.5N.m (21.9Lb.In)		
Ambient temperature	環境温度	环境温度	-40°C~+125°C		
Stripping length	電線剥き長	剥线长度	-		
Dimensions	寸法	尺寸	28.0mm (1.103")		
Pitch	ピッチ	间距	28.0mm (1.103")		
Poles	極数	极数	3P		
Material	材質及びメッキ	材质及电镀	PC, UL94V-0		
Cover	カバー	盖板	PC, UL94V-0		
Housing	本体	塑件	PC, UL94V-0		
Terminal	導電板	端子	Copper alloy, Tin Plated	銅合金, 錫メッキ	铜合金, 镀锡
Screws	結線ビス	螺丝	Steel, Ni Plated	鋼, ニッケルメッキ	钢, 镀锌
Other Data	他の情報	其他信息	-		
PCB Hole Diameter	PCB取付穴径	PCB板孔径	-		

HOW TO ORDER 製品型番 订货方法

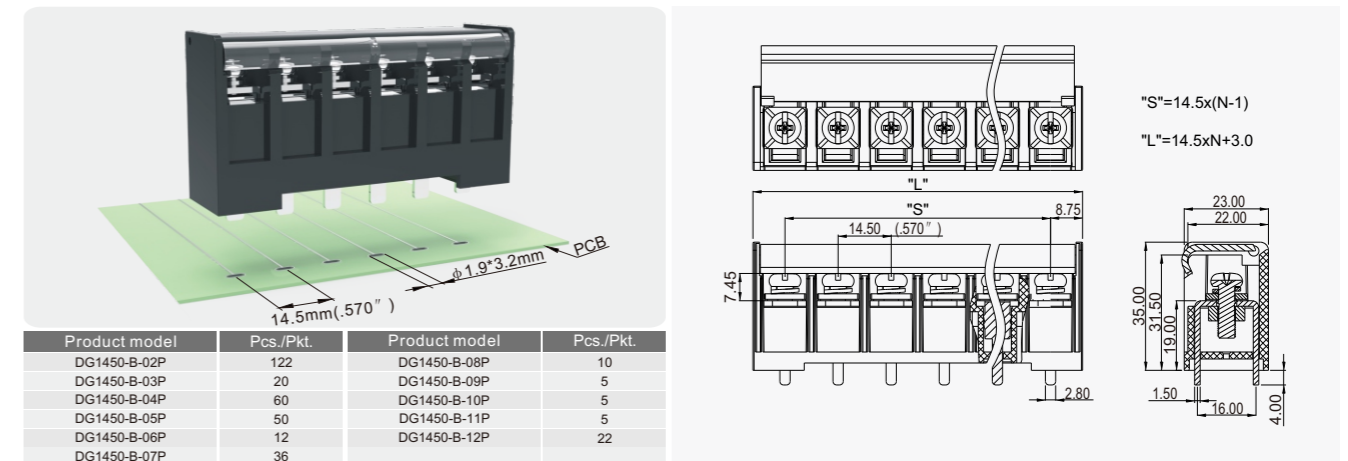


DG90-B



Product model	Pcs./Pkt.	Product model	Pcs./Pkt.
DG90-B-03P	16		

DG1450-B

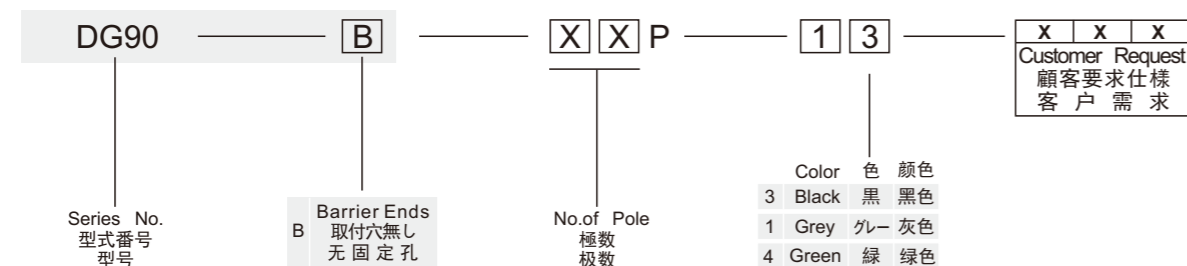


Product model	Pcs./Pkt.	Product model	Pcs./Pkt.
DG1450-B-02P	122	DG1450-B-08P	10
DG1450-B-03P	20	DG1450-B-09P	5
DG1450-B-04P	60	DG1450-B-10P	5
DG1450-B-05P	50	DG1450-B-11P	5
DG1450-B-06P	12	DG1450-B-12P	22
DG1450-B-07P	36		



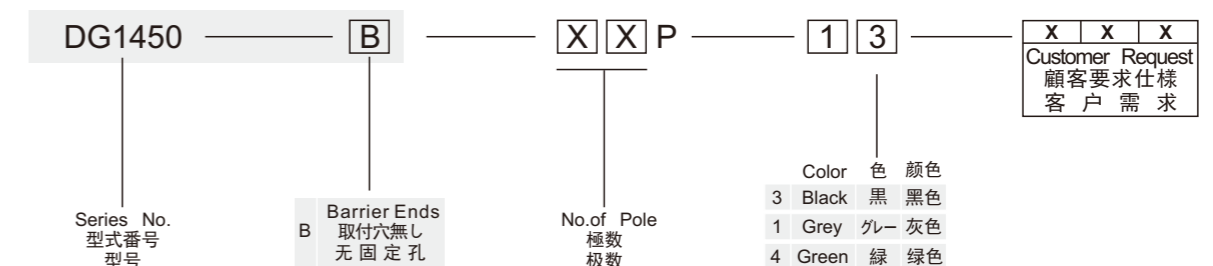
Electrical	電気性能	电气性能	UL1059 & CSA C22.2 NO.158		
Standard	安全規格	参考标准	UL1059 & CSA C22.2 NO.158		
Use group	使用レベル	使用级别	B	C	D
Rated voltage	定格電圧	额定电压	600V	600V	600V
Rated current	定格電流	额定电流	90A	90A	5A
Wire range	電線径	导线线径	22-4AWG (STR OT冷压端子)		
Ring/Fork terminals	丸型压着端子 先開型压着端子	预绝缘端子	22-4AWG (STR OT冷压端子)		
Withstanding voltage	耐電圧	耐电压	AC2200V/1Min		
Insulation Resistance	絶縁抵抗	绝缘阻抗	500MΩ/DC500V		
Mechanical	機械性能	机械性能	3.5N.m (30.625Lb.In)		
Torque Value	ネジ締めトルク	锁紧扭力	3.5N.m (30.625Lb.In)		
Ambient temperature	環境温度	环境温度	-30°C~+120°C		
Stripping length	電線剥き長	剥线长度	20-22mm		
Dimensions	寸法	尺寸	-		
Pitch	ピッチ	间距	-		
Poles	極数	极数	3P		
Material	材質及びメッキ	材质及电镀	PC, UL94V-0		
Cover	カバー	盖板	PC, UL94V-0		
Housing	本体	塑件	PBT, UL94V-0		
Terminal	導電板	端子	Copper alloy, Ni Plated	銅合金, ニッケルメッキ	铜合金, 镀镍
Screws	結線ビス	螺丝	Steel, Ni Plated, Nut Cr ³ zn Plated	鋼, ニッケルメッキ, ナット亜鉛メッキ	钢, 镀镍, 螺母镀锌
Other Data	他の情報	其他信息	-		
PCB Hole Diameter	PCB取付穴径	PCB板孔径	-		

HOW TO ORDER 製品型番 订货方法

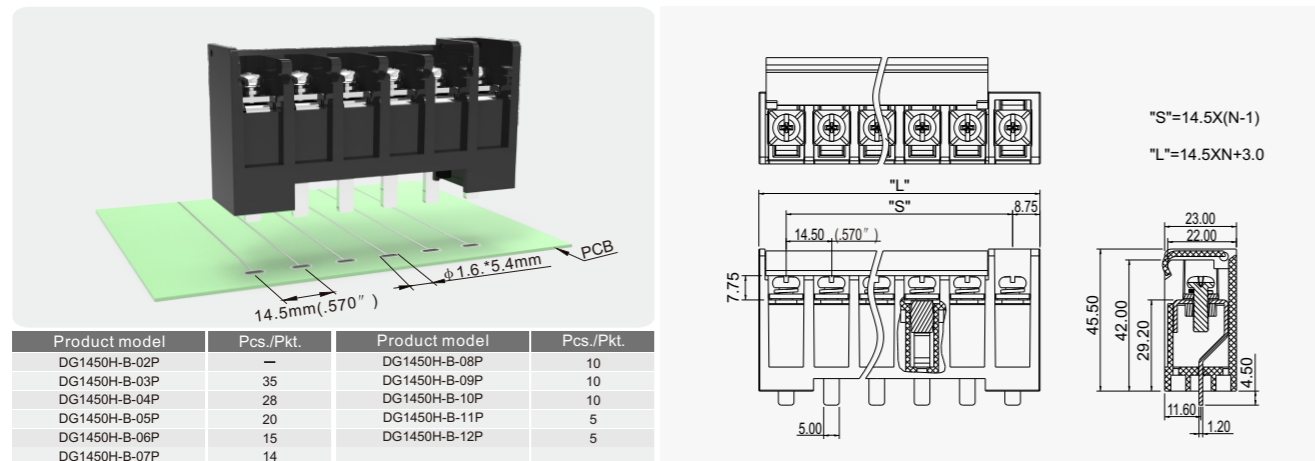


Electrical	電気性能	电气性能	UL1059 & CSA C22.2 NO.158		
Standard	安全規格	参考标准	UL1059 & CSA C22.2 NO.158		
Use group	使用レベル	使用级别	B	C	D
Rated voltage	定格電圧	额定电压	300V	300V	300V
Rated current	定格電流	额定电流	50A	50A	10A
Wire range	電線径	导线线径	22-8AWG		
Ring/Fork terminals	丸型压着端子 先開型压着端子	预绝缘端子	0.5-6.0mm ² /22-8AWG 0.5-6.0mm ² /22-10AWG		
Withstanding voltage	耐電圧	耐电压	AC1600V/1Min		
Insulation Resistance	絶縁抵抗	绝缘阻抗	500MΩ/DC500V		
Mechanical	機械性能	机械性能	2.0N.m (17.5Lb.In)		
Torque Value	ネジ締めトルク	锁紧扭力	2.0N.m (17.5Lb.In)		
Ambient temperature	環境温度	环境温度	-40°C~+120°C		
Stripping length	電線剥き長	剥线长度	12-15mm		
Dimensions	寸法	尺寸	14.5mm(570")		
Pitch	ピッチ	间距	14.5mm(570")		
Poles	極数	极数	2P-14P		
Material	材質及びメッキ	材质及电镀	PBT+GF., UL94V-0		
Housing	本体	塑件	PBT+GF., UL94V-0		
Terminal	導電板	端子	Copper alloy, 1.5t, Tin Plated	銅合金, 1.5厚, 錫メッキ	铜合金, 1.5厚, 镀锡
Screws	結線ビス	螺丝	Steel, Cr ³ zn Plated	鋼, 亜鉛メッキ	钢, 镀锌
Other Data	他の情報	其他信息	φ1.9*3.2mm		
PCB Hole Diameter	PCB取付穴径	PCB板孔径	φ1.9*3.2mm		

HOW TO ORDER 製品型番 订货方法

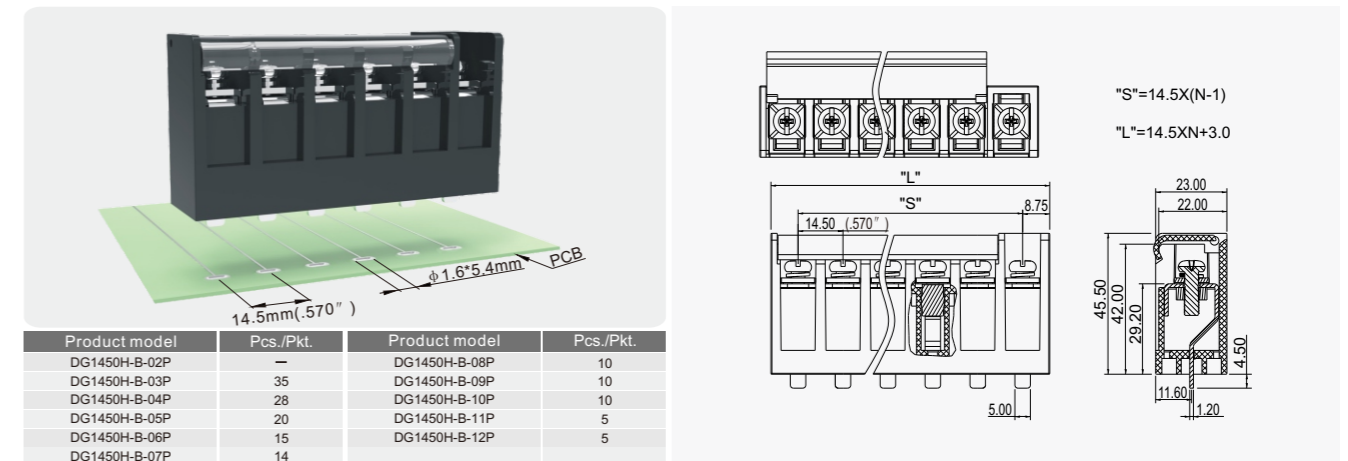


DG1450H-B



Product model	Pcs./Pkt.	Product model	Pcs./Pkt.
DG1450H-B-02P	—	DG1450H-B-08P	10
DG1450H-B-03P	35	DG1450H-B-09P	10
DG1450H-B-04P	28	DG1450H-B-10P	10
DG1450H-B-05P	20	DG1450H-B-11P	5
DG1450H-B-06P	15	DG1450H-B-12P	5
DG1450H-B-07P	14		

DG1450H-B-10A

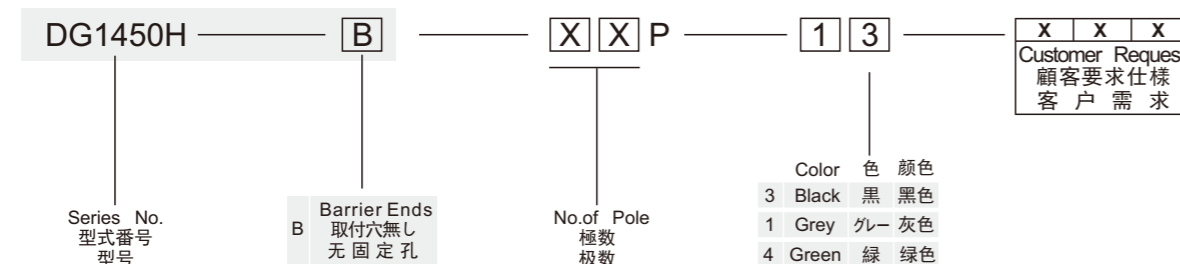


Product model	Pcs./Pkt.	Product model	Pcs./Pkt.
DG1450H-B-02P	—	DG1450H-B-08P	10
DG1450H-B-03P	35	DG1450H-B-09P	10
DG1450H-B-04P	28	DG1450H-B-10P	10
DG1450H-B-05P	20	DG1450H-B-11P	5
DG1450H-B-06P	15	DG1450H-B-12P	5
DG1450H-B-07P	14		



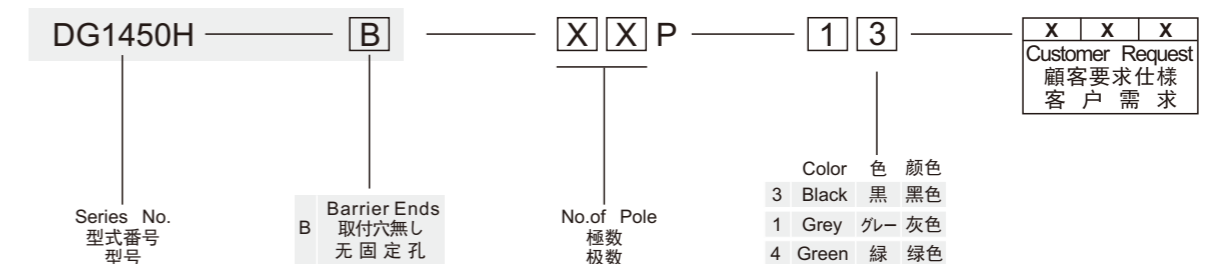
Electrical	電気性能	电气性能	UL1059 & CSA C22.2 NO.158		
Standard	安全規格	参考标准			
Use group	使用レベル	使用级别	B	C	D
Rated voltage	定格電圧	额定电压	600V	600V	600V
Rated current	定格電流	额定电流	45A	45A	5A
Wire range	電線径	导线线径	22-8AWG		
Ring/Fork terminals	丸型圧着端子 先開型圧着端子	预绝缘端子 预绝缘端子	0.5-6.0mm ² /22-8AWG 0.5-6.0mm ² /22-10AWG		
Withstanding voltage	耐電圧	耐电压	AC2200V/1Min		
Insulation Resistance	絶縁阻抗	绝缘阻抗	500MΩ/DC500V		
Mechanical	機械性能	机械性能			
Torque Value	ネジ締めトルク	锁紧扭力	2.0N.m (17.5Lb.In)		
Ambient temperature	環境温度	环境温度	-40°C~+120°C		
Stripping length	電線剥き長	剥线长度	12-15mm		
Dimensions	寸法	尺寸			
Pitch	ピッチ	间距	14.50mm(.570")		
Poles	極数	极数	2P-14P		
Material	材質及びメッキ	材质及电镀	PBT+GF, UL94V-0		
Housing	本体	塑件			
Terminal	導電板	端子	Copper alloy, Tin Plated	銅合金, 錫メッキ	铜合金, 镀锡
Screws	結線ビス	螺丝	Steel, Cr ³⁺ zn Plated	鋼, 亜鉛メッキ	钢, 镀锌
Other Data	他の情報	其他信息			
PCB Hole Diameter	PCB取付穴径	PCB板孔径	φ1.6*5.4mm		

HOW TO ORDER 製品型番 订货方法

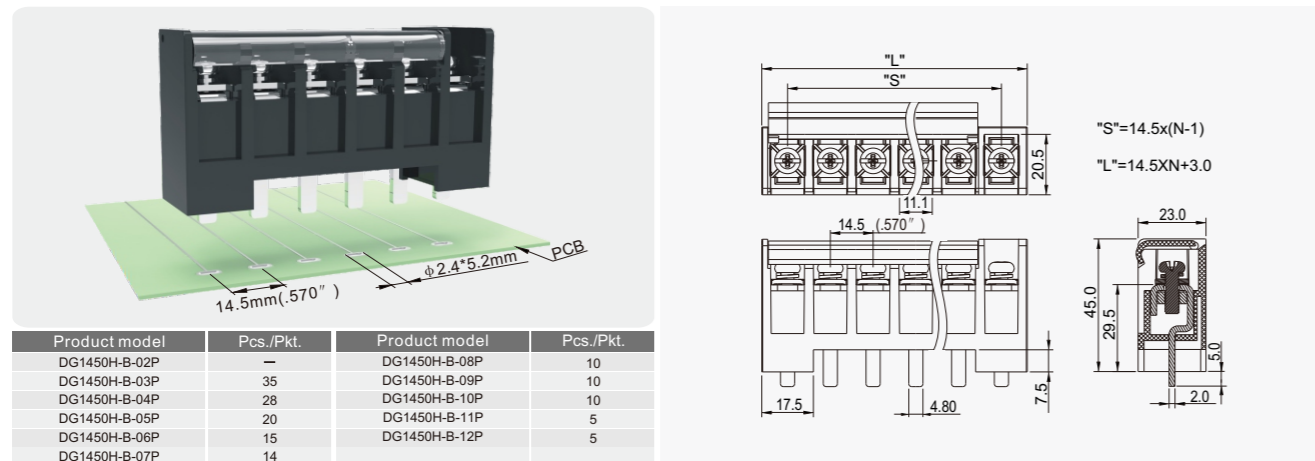


Electrical	電気性能	电气性能	UL1059 & CSA C22.2 NO.158		
Standard	安全規格	参考标准			
Use group	使用レベル	使用级别	B	C	D
Rated voltage	定格電圧	额定电压	600V	600V	600V
Rated current	定格電流	额定电流	45A	45A	5A
Wire range	電線径	导线线径	22-8AWG		
Ring/Fork terminals	丸型圧着端子 先開型圧着端子	预绝缘端子 预绝缘端子	0.5-6.0mm ² /22-8AWG 0.5-6.0mm ² /22-10AWG		
Withstanding voltage	耐電圧	耐电压	AC2200V/1Min		
Insulation Resistance	絶縁阻抗	绝缘阻抗	500MΩ/DC500V		
Mechanical	機械性能	机械性能			
Torque Value	ネジ締めトルク	锁紧扭力	2.0N.m (17.5Lb.In)		
Ambient temperature	環境温度	环境温度	-40°C~+120°C		
Stripping length	電線剥き長	剥线长度	12-15mm		
Dimensions	寸法	尺寸			
Pitch	ピッチ	间距	14.50mm(.570")		
Poles	極数	极数	2P-14P		
Material	材質及びメッキ	材质及电镀	PBT+GF, UL94V-0		
Housing	本体	塑件			
Terminal	導電板	端子	Copper alloy, Tin Plated	銅合金, 錫メッキ	铜合金, 镀锡
Screws	結線ビス	螺丝	Steel, Cr ³⁺ zn Plated	鋼, 亜鉛メッキ	钢, 镀锌
Other Data	他の情報	其他信息			
PCB Hole Diameter	PCB取付穴径	PCB板孔径	φ1.6*5.4mm		

HOW TO ORDER 製品型番 订货方法

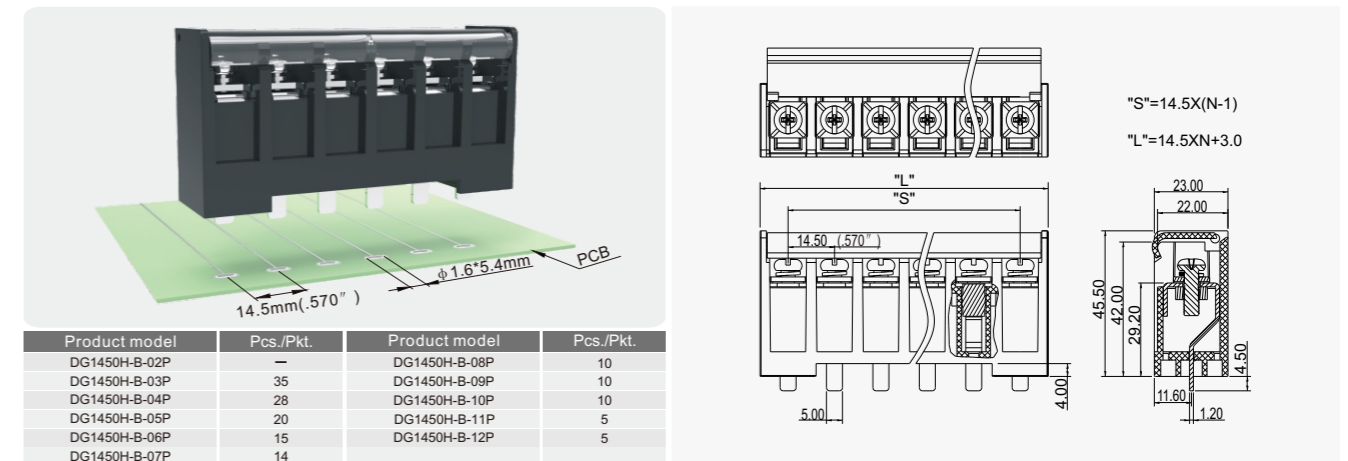


DG1450H-B-20A



Product model	Pcs./Pkt.	Product model	Pcs./Pkt.
DG1450H-B-02P	—	DG1450H-B-08P	10
DG1450H-B-03P	35	DG1450H-B-09P	10
DG1450H-B-04P	28	DG1450H-B-10P	10
DG1450H-B-05P	20	DG1450H-B-11P	5
DG1450H-B-06P	15	DG1450H-B-12P	5
DG1450H-B-07P	14		

DG1450H-B-30A

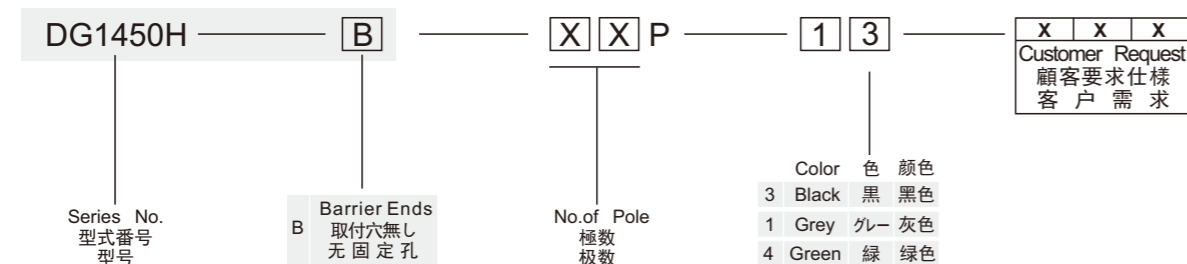


Product model	Pcs./Pkt.	Product model	Pcs./Pkt.
DG1450H-B-02P	—	DG1450H-B-08P	10
DG1450H-B-03P	35	DG1450H-B-09P	10
DG1450H-B-04P	28	DG1450H-B-10P	10
DG1450H-B-05P	20	DG1450H-B-11P	5
DG1450H-B-06P	15	DG1450H-B-12P	5
DG1450H-B-07P	14		



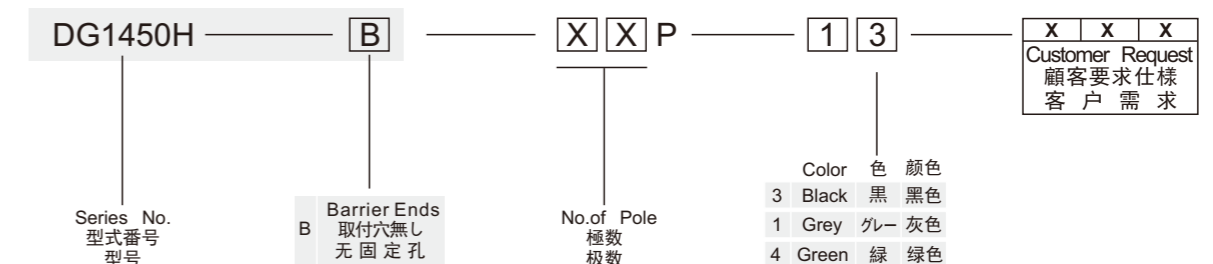
Electrical	電気性能	电气性能	UL1059 & CSA C22.2 NO.158		
Standard	安全規格	参考标准			
Use group	使用レベル	使用级别	B	C	D
Rated voltage	定格電圧	额定电压	600V	600V	600V
Rated current	定格電流	额定电流	57A	57A	5A
Wire range	電線径	导线线径	22-8AWG		
Ring/Fork terminals	丸型圧着端子 先開型圧着端子	预绝缘端子	0.5-6.0mm ² /22-8AWG 0.5-6.0mm ² /22-10AWG		
Withstanding voltage	耐電圧	耐电压	AC2200V/1Min		
Insulation Resistance	絶縁阻抗	绝缘阻抗	500MΩ/DC500V		
Mechanical	機械性能	机械性能			
Torque Value	ネジ締付トルク	锁紧扭力	2.0N.m (17.5Lb.In)		
Ambient temperature	環境温度	环境温度	-40°C~+120°C		
Stripping length	電線剥き長	剥线长度	12-15mm		
Dimensions	寸法	尺寸			
Pitch	ピッチ	间距	14.50mm(.570")		
Poles	極数	极数	2P-14P		
Material	材質及びメッキ	材质及电镀	PBT+GF, UL94V-0		
Housing	本体	塑件			
Terminal	導電板	端子	Copper alloy, Tin Plated	銅合金, 錫メッキ	铜合金, 镀锡
Screws	結線ビス	螺丝	Steel, Cr ³⁺ zn Plated	鋼, 亜鉛メッキ	钢, 镀锌
Other Data	他の情報	其他信息			
PCB Hole Diameter	PCB取付穴径	PCB板孔径	φ2.4*5.2mm		

HOW TO ORDER 製品型番 订货方法

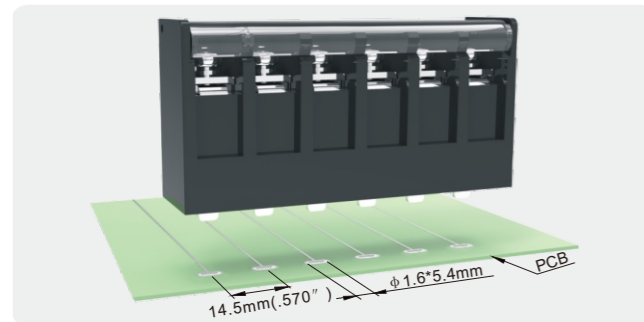


Electrical	電気性能	电气性能	UL1059 & CSA C22.2 NO.158		
Standard	安全規格	参考标准			
Use group	使用レベル	使用级别	B	C	D
Rated voltage	定格電圧	额定电压	600V	600V	600V
Rated current	定格電流	额定电流	45A	45A	5A
Wire range	電線径	导线线径	22-8AWG		
Ring/Fork terminals	丸型圧着端子 先開型圧着端子	预绝缘端子	0.5-6.0mm ² /22-8AWG 0.5-6.0mm ² /22-10AWG		
Withstanding voltage	耐電圧	耐电压	AC2200V/1Min		
Insulation Resistance	絶縁阻抗	绝缘阻抗	500MΩ/DC500V		
Mechanical	機械性能	机械性能			
Torque Value	ネジ締付トルク	锁紧扭力	2.0N.m (17.5Lb.In)		
Ambient temperature	環境温度	环境温度	-40°C~+120°C		
Stripping length	電線剥き長	剥线长度	12-15mm		
Dimensions	寸法	尺寸			
Pitch	ピッチ	间距	14.50mm(.570")		
Poles	極数	极数	2P-14P		
Material	材質及びメッキ	材质及电镀	PBT+GF, UL94V-0		
Housing	本体	塑件			
Terminal	導電板	端子	Copper alloy, Tin Plated	銅合金, 錫メッキ	铜合金, 镀锡
Screws	結線ビス	螺丝	Steel, Cr ³⁺ zn Plated	鋼, 亜鉛メッキ	钢, 镀锌
Other Data	他の情報	其他信息			
PCB Hole Diameter	PCB取付穴径	PCB板孔径	φ1.6*5.4mm		

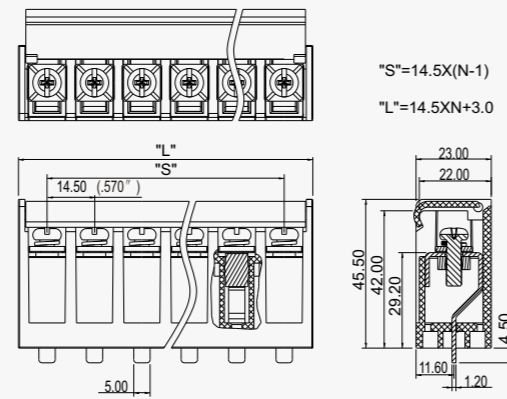
HOW TO ORDER 製品型番 订货方法



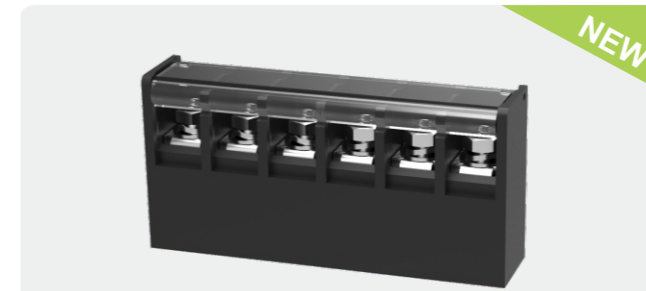
DG1450H-B-40A



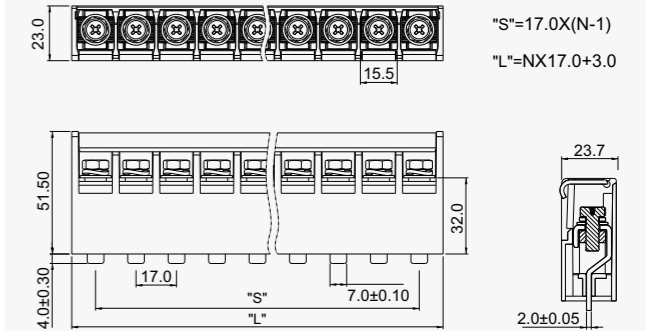
Product model	Pcs./Pkt.	Product model	Pcs./Pkt.
DG1450H-B-02P	—	DG1450H-B-08P	10
DG1450H-B-03P	35	DG1450H-B-09P	10
DG1450H-B-04P	28	DG1450H-B-10P	10
DG1450H-B-05P	20	DG1450H-B-11P	5
DG1450H-B-06P	15	DG1450H-B-12P	5
DG1450H-B-07P	14		



DG1700-B

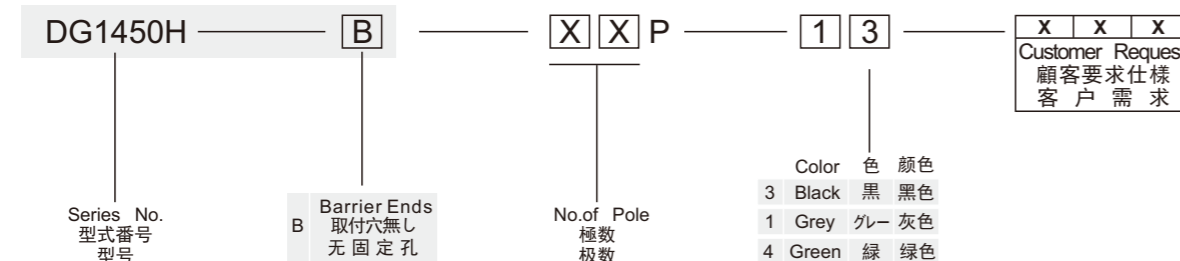


Product model	Pcs./Pkt.	Product model	Pcs./Pkt.
DG1700-B-03P	20	DG1700-B-09P	5
DG1700-B-04P	15	DG1700-B-10P	5
DG1700-B-05P	10	DG1700-B-11P	5
DG1700-B-06P	10	DG1700-B-12P	5
DG1700-B-07P	5	DG1700-B-13P	4
DG1700-B-08P	5	DG1700-B-14P	4



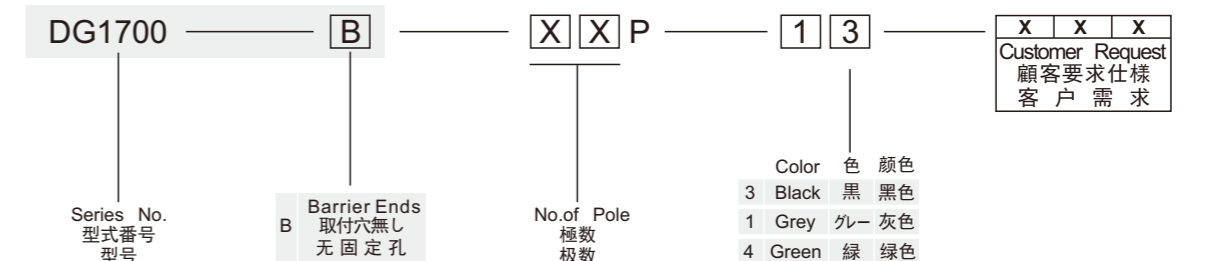
Electrical	電気性能	电气性能	UL1059 & CSA C22.2 NO.158		
Standard	安全規格	参考标准	UL1059 & CSA C22.2 NO.158		
Use group	使用レベル	使用级别	B	C	D
Rated voltage	定格電圧	额定电压	600V	600V	600V
Rated current	定格電流	额定电流	45A	45A	5A
Wire range	電線径	导线线径	22-8AWG		
Ring/Fork terminals	丸型圧着端子 先開型圧着端子	预绝缘端子 ココ	0.5-6.0mm ² /22-8AWG 0.5-6.0mm ² /22-10AWG		
Withstanding voltage	耐電圧	耐电压	AC2200V/1Min		
Insulation Resistance	絶縁阻抗	绝缘阻抗	500MΩ/DC500V		
Mechanical	機械性能	机械性能	2.0N.m (17.5Lb.In.)		
Torque Value	ネジ締付トルク	锁紧扭力	2.0N.m (17.5Lb.In.)		
Ambient temperature	環境温度	环境温度	-40°C~+120°C		
Stripping length	電線剥き長	剥线长度	12-15mm		
Dimensions	寸法	尺寸	14.50mm(.570")		
Pitch	ピッチ	间距	14.50mm(.570")		
Poles	極数	极数	2P-14P		
Material	材質及びメッキ	材质及电镀	PBT+GF, UL94V-0		
Housing	本体	塑件	PBT+GF, UL94V-0		
Terminal	導電板	端子	Copper alloy, Tin Plated	銅合金, 錫メッキ	铜合金, 镀锡
Screws	結線ビス	螺丝	Steel, Cr ³⁺ zn Plated	鋼, 亜鉛メッキ	钢, 镀锌
Other Data	他の情報	其他信息	φ1.6*5.4mm		
PCB Hole Diameter	PCB取付穴径	PCB板孔径	φ1.6*5.4mm		

HOW TO ORDER 製品型番 订货方法

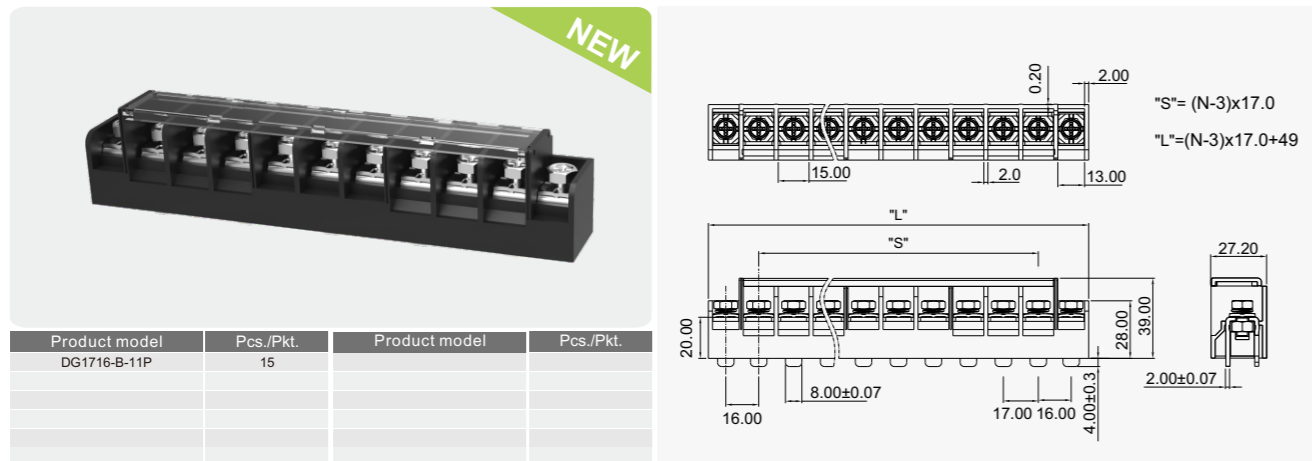


Electrical	電気性能	电气性能	UL1059 & CSA C22.2 NO.158		
Standard	安全規格	参考标准	UL1059 & CSA C22.2 NO.158		
Use group	使用レベル	使用级别	B	C	D
Rated voltage	定格電圧	额定电压	600V	600V	600V
Rated current	定格電流	额定电流	65A	65A	5A
Wire range	電線径	导线线径	22-6AWG		
Ring/Fork terminals	丸型圧着端子 先開型圧着端子	预绝缘端子 ココ	22-6AWG		
Withstanding voltage	耐電圧	耐电压	AC2200V/1Min		
Insulation Resistance	絶縁阻抗	绝缘阻抗	500MΩ/DC500V		
Mechanical	機械性能	机械性能	2.5N.m (21.875Lb.In)		
Torque Value	ネジ締付トルク	锁紧扭力	2.5N.m (21.875Lb.In)		
Ambient temperature	環境温度	环境温度	-30°C~+120°C		
Stripping length	電線剥き長	剥线长度	—		
Dimensions	寸法	尺寸	17.00mm(.668")		
Pitch	ピッチ	间距	17.00mm(.668")		
Poles	極数	极数	3P-14P		
Material	材質及びメッキ	材质及电镀	PC, UL94V-0		
Cover	カバー	盖板	PC, UL94V-0		
	本体	塑件	PBT, UL94V-0		
Terminal	導電板	端子	Copper alloy, Tin Plated	銅合金, 錫メッキ	铜合金, 镀锡
Screws	結線ビス	螺丝	Steel, Cr ³⁺ zn Plated, Nut, Cr ³⁺ zn Plated	鋼, 亜鉛メッキ, ナット, 亜鉛メッキ	钢, 镀锌, 螺母镀锌
Other Data	他の情報	其他信息	φ9.0*2.7mm		
PCB Hole Diameter	PCB取付穴径	PCB板孔径	φ9.0*2.7mm		

HOW TO ORDER 製品型番 订货方法

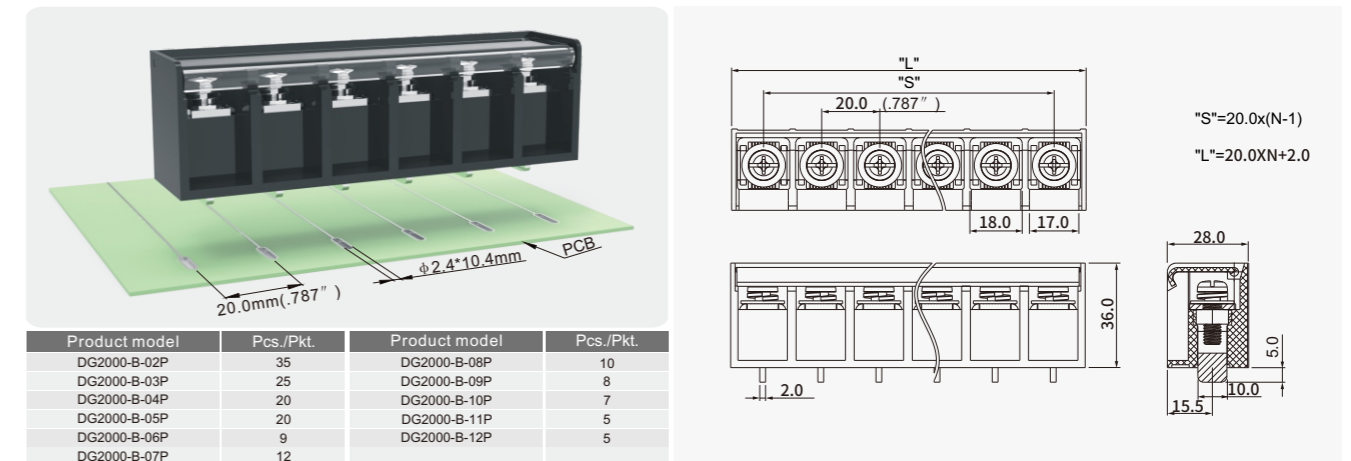


DG1716-B



Product model	Pcs./Pkt.	Product model	Pcs./Pkt.
DG1716-B-11P	15		

DG2000-B

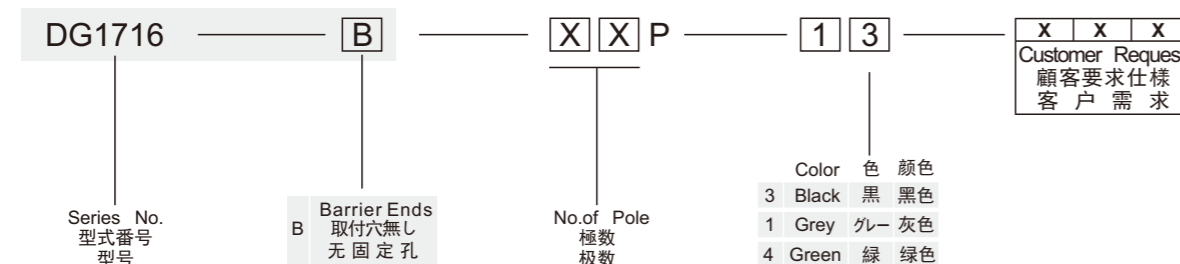


Product model	Pcs./Pkt.	Product model	Pcs./Pkt.
DG2000-B-02P	35	DG2000-B-08P	10
DG2000-B-03P	25	DG2000-B-09P	8
DG2000-B-04P	20	DG2000-B-10P	7
DG2000-B-05P	20	DG2000-B-11P	5
DG2000-B-06P	9	DG2000-B-12P	5
DG2000-B-07P	12		



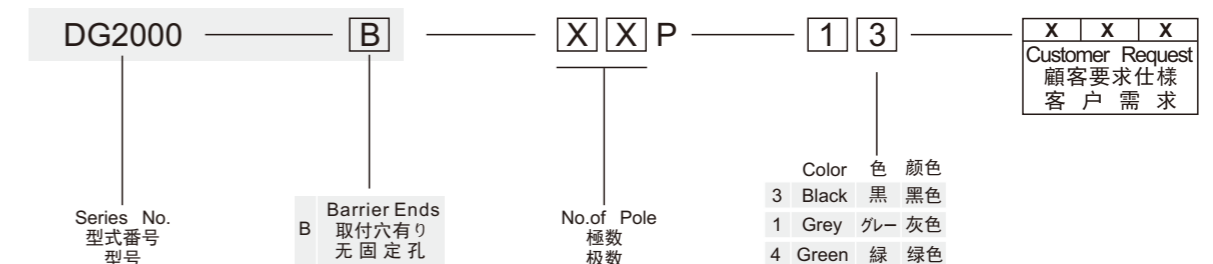
Electrical	電気性能	电气性能	UL1059 & CSA C22.2 NO.158		
Standard	安全規格	参考标准	UL1059 & CSA C22.2 NO.158		
Use group	使用レベル	使用级别	B	C	D
Rated voltage	定格電圧	额定电压	600V	600V	600V
Rated current	定格電流	额定电流	80A	80A	5A
Wire range	電線径	导线线径	26-4AWG		
Ring/Fork terminals	丸型圧着端子 先開型圧着端子	预绝缘端子	26-4AWG		
Withstanding voltage	耐電圧	耐电压	AC2200V/1Min		
Insulation Resistance	絶縁抵抗	绝缘阻抗	500MΩ/DC500V		
Mechanical	機械性能	机械性能			
Torque Value	ネジ締付トルク	锁紧扭力	7.9N.m (69.1Lb.In.)		
Ambient temperature	環境温度	环境温度	-40°C~+120°C		
Stripping length	電線剥き長	剥线长度	16-18mm		
Dimensions	寸法	尺寸			
Pitch	ピッチ	间距	17.00mm(.668")		
Poles	極数	极数	4P-14P		
Material	材質及びメッキ	材质及电镀			
Cover	カバー	盖板	PC, UL94V-2		
Housing	本体	塑件	PBT, UL94V-0		
Terminal	導電板	端子	Copper alloy, Tin Plated	銅合金, 錫メッキ	铜合金, 镀锡
Screws	結線ビス	螺丝	Steel, Ni Plated, Nut Cr ² zn Plated	鋼, ニッケルメッキ, ナット亜鉛メッキ	钢, 镀锌, 螺母镀锌
Other Data	他の情報	其他信息			
PCB Hole Diameter	PCB取付穴径	PCB板孔径	φ8.4*2.4mm		

HOW TO ORDER 製品型番 订货方法

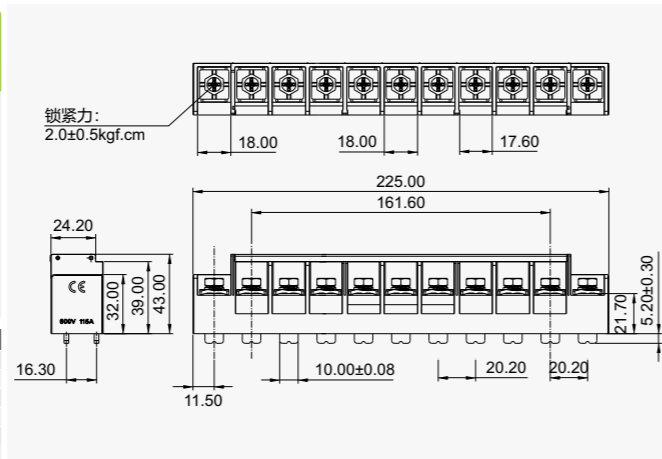


Electrical	電気性能	电气性能	UL1059 & CSA C22.2 NO.158		
Standard	安全規格	参考标准	UL1059 & CSA C22.2 NO.158		
Use group	使用レベル	使用级别	B	C	D
Rated voltage	定格電圧	额定电压	600V	600V	600V
Rated current	定格電流	额定电流	75A	75A	5A
Wire range	電線径	导线线径	26-4AWG		
Ring/Fork terminals	丸型圧着端子 先開型圧着端子	预绝缘端子	0.5-16mm ² /22-4AWG 1.0-16mm ² /16-6AWG		
Withstanding voltage	耐電圧	耐电压	AC2200V/1Min		
Insulation Resistance	絶縁抵抗	绝缘阻抗	500MΩ/DC500V		
Mechanical	機械性能	机械性能			
Torque Value	ネジ締付トルク	锁紧扭力	2.5N.m (22.15Lb.In.)		
Ambient temperature	環境温度	环境温度	-40°C~+120°C		
Stripping length	電線剥き長	剥线长度	16-18mm		
Dimensions	寸法	尺寸			
Pitch	ピッチ	间距	20.0mm(.787")		
Poles	極数	极数	2P-12P		
Material	材質及びメッキ	材质及电镀			
Housing	本体	塑件	PBT+GF, UL94V-0		
Terminal	導電板	端子	Copper alloy, Tin Plated	銅合金, 錫メッキ	铜合金, 镀锡
Screws	結線ビス	螺丝	Steel, Ni Plated	鋼, ニッケルメッキ	钢, 镀锌
Other Data	他の情報	其他信息			
PCB Hole Diameter	PCB取付穴径	PCB板孔径	φ2.4*10.4mm		

HOW TO ORDER 製品型番 订货方法

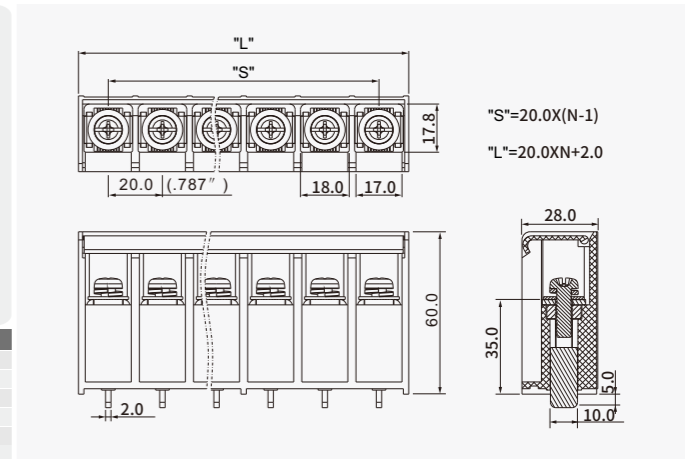
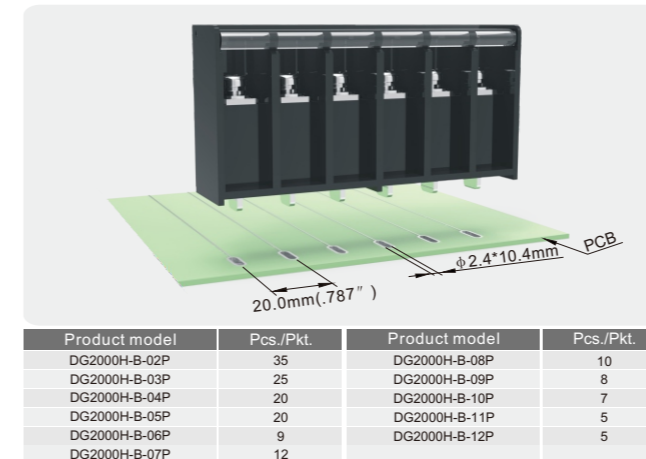


DG2020-B



Product model	Pcs./Pkt.	Product model	Pcs./Pkt.
DG2020-B-11P	12		

DG2000H-B

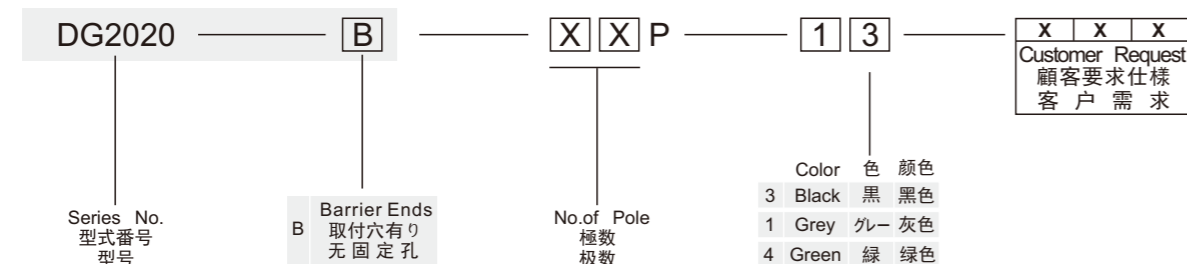


Product model	Pcs./Pkt.	Product model	Pcs./Pkt.
DG2000H-B-02P	35	DG2000H-B-08P	10
DG2000H-B-03P	25	DG2000H-B-09P	8
DG2000H-B-04P	20	DG2000H-B-10P	7
DG2000H-B-05P	20	DG2000H-B-11P	5
DG2000H-B-06P	9	DG2000H-B-12P	5
DG2000H-B-07P	12		



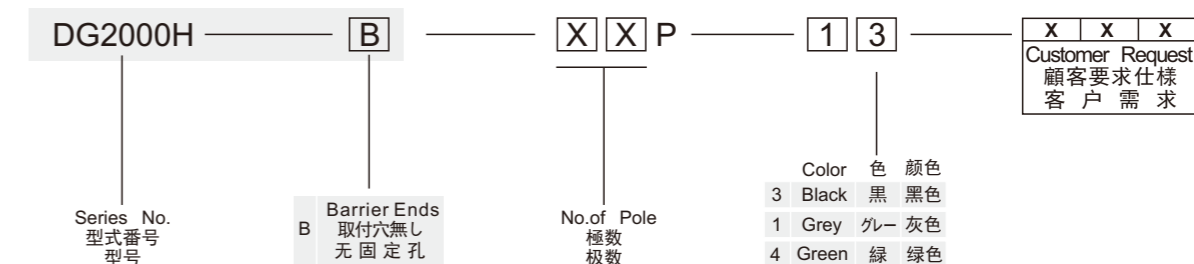
Electrical	電気性能	电气性能	UL1059 & CSA C22.2 NO.158		
Standard	安全規格	参考标准	UL1059 & CSA C22.2 NO.158		
Use group	使用レベル	使用级别	B	C	D
Rated voltage	定格電圧	额定电压	600V	600V	600V
Rated current	定格電流	额定电流	115A	115A	5A
Wire range	電線径	导线线径	18~2AWG(2AWG(仅适用于部分冷压端子))		
Ring/Fork terminals	丸型圧着端子 先開型圧着端子	预绝缘端子	18~2AWG		
Withstanding voltage	耐電圧	耐电压	AC2200V/1Min		
Insulation Resistance	絶縁抵抗	绝缘阻抗	500MQ/DC500V		
Mechanical	機械性能	机械性能	7.9N.m (69.13Lb.In)		
Torque Value	ネジ締付トルク	锁紧扭力	7.9N.m (69.13Lb.In)		
Ambient temperature	環境温度	环境温度	-40°C~+120°C		
Stripping length	電線剥き長	剥线长度	17-19mm		
Dimensions	寸法	尺寸	20.2mm(.795")		
Pitch	ピッチ	间距	20.2mm(.795")		
Poles	極数	极数	11P		
Material	材質及びメッキ	材质及电镀	PC, UL94V-2		
Cover	カバー	盖板	PC, UL94V-2		
Housing	本体	塑件	PBT, UL94V-0		
Terminal	導電板	端子	Copper alloy, Tin Plated	銅合金, 錫メッキ	铜合金, 镀锡
Screws	結線ビス	螺丝	Steel, Cr ²⁺ Zn Plated, Nut, Cr ²⁺ Zn Plated	鋼, 亜鉛メッキ, ナット, 亜鉛メッキ	钢, 镀锌, 螺母镀锌
Other Data	他の情報	其他信息	φ10.4*2.9mm		
PCB Hole Diameter	PCB取付穴径	PCB板孔径	φ10.4*2.9mm		

HOW TO ORDER 製品型番 订货方法

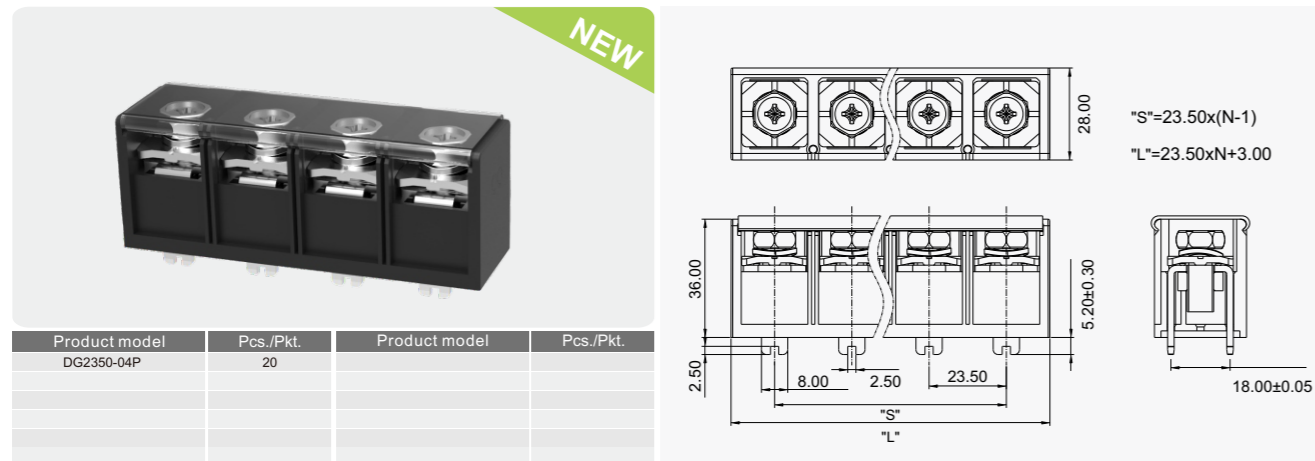


Electrical	電気性能	电气性能	UL1059 & CSA C22.2 NO.158		
Standard	安全規格	参考标准	UL1059 & CSA C22.2 NO.158		
Use group	使用レベル	使用级别	B	C	D
Rated voltage	定格電圧	额定电压	600V	600V	600V
Rated current	定格電流	额定电流	80A	80A	5A
Wire range	電線径	导线线径	26-4AWG		
Ring/Fork terminals	丸型圧着端子 先開型圧着端子	预绝缘端子	1.0-16mm ² /16-6AWG 0.5-16mm ² /26-4AWG		
Withstanding voltage	耐電圧	耐电压	AC2200V/1Min		
Insulation Resistance	絶縁抵抗	绝缘阻抗	500MQ/DC500V		
Mechanical	機械性能	机械性能	2.5N.m (22.15Lb.In)		
Torque Value	ネジ締付トルク	锁紧扭力	2.5N.m (22.15Lb.In)		
Ambient temperature	環境温度	环境温度	-40°C~+120°C		
Stripping length	電線剥き長	剥线长度	16-18mm		
Dimensions	寸法	尺寸	20.0mm(.787")		
Pitch	ピッチ	间距	20.0mm(.787")		
Poles	極数	极数	2P-12P		
Material	材質及びメッキ	材质及电镀	PBT+GF, UL94V-0		
Housing	本体	塑件	PBT+GF, UL94V-0		
Terminal	導電板	端子	Copper alloy, Tin Plated	銅合金, 錫メッキ	铜合金, 镀锡
Screws	結線ビス	螺丝	Steel, Ni Plated	鋼, ニッケルメッキ	钢, 镀镍
Other Data	他の情報	其他信息	φ2.4*10.4mm		
PCB Hole Diameter	PCB取付穴径	PCB板孔径	φ2.4*10.4mm		

HOW TO ORDER 製品型番 订货方法

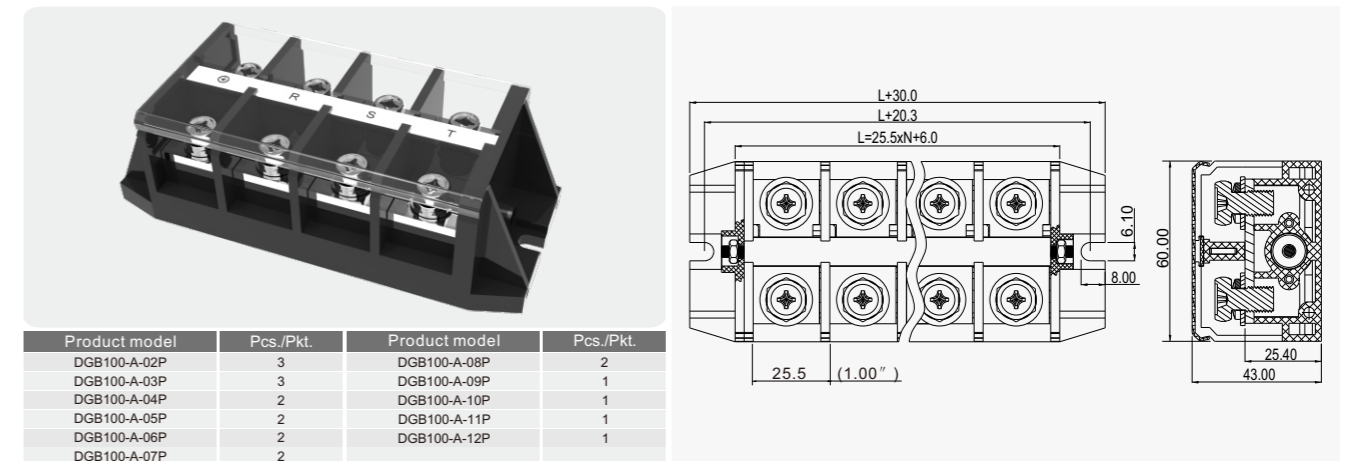


DG2350



Product model	Pcs./Pkt.	Product model	Pcs./Pkt.
DG2350-04P	20		

DGB100-A-10A



Product model	Pcs./Pkt.	Product model	Pcs./Pkt.
DGB100-A-02P	3	DGB100-A-08P	2
DGB100-A-03P	3	DGB100-A-09P	1
DGB100-A-04P	2	DGB100-A-10P	1
DGB100-A-05P	2	DGB100-A-11P	1
DGB100-A-06P	2	DGB100-A-12P	1
DGB100-A-07P	2		



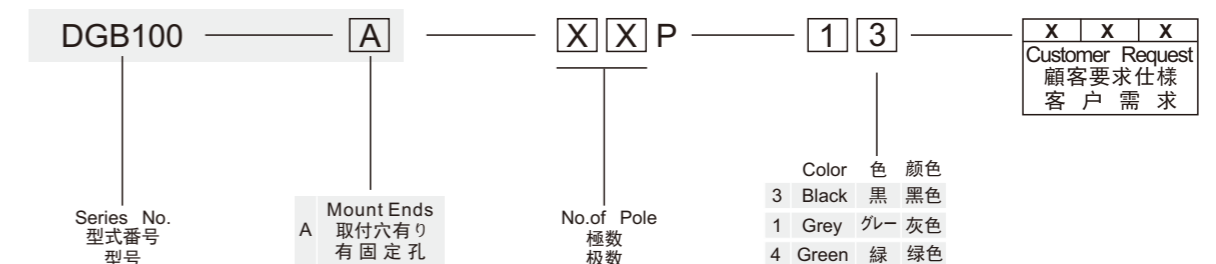
Electrical	電気性能	电气性能	UL1059 & CSA C22.2 NO.158		
Standard	安全規格	参考标准			
Use group	使用レベル	使用级别	B	C	D
Rated voltage	定格電圧	额定电压	600V	600V	600V
Rated current	定格電流	额定电流	120A	120A	5A
Wire range	電線径	导线线径	2-1/0AWG		
Ring/Fork terminals	丸型圧着端子 先開型圧着端子	预绝缘端子	2-1/0AWG		
Withstanding voltage	耐電圧	耐电压	AC2200V/1Min		
Insulation Resistance	絶縁阻抗	绝缘阻抗	500MQ/DC500V		
Mechanical	機械性能	机械性能			
Torque Value	ネジ締付トルク	锁紧扭力	5.5N.m (48.13Lb.In)		
Ambient temperature	環境温度	环境温度	-40°C~+130°C		
Stripping length	電線剥き長	剥线长度	-		
Dimensions	寸法	尺寸			
Pitch	ピッチ	间距	23.5mm(.925")		
Poles	極数	极数	11P		
Material	材質及びメッキ	材质及电镀			
Cover	カバー	盖板	PC, UL94V-2		
Housing	本体	塑件	PBT, UL94V-0		
Terminal	導電板	端子	Copper alloy, Tin Plated	銅合金, 錫メッキ	铜合金, 镀锡
Screws	結線ビス	螺丝	Steel, Cr ²⁺ Zn Plated, Nut, Cr ²⁺ Zn Plated	鋼, 亜鉛メッキ, ナット, 亜鉛メッキ	钢, 镀锌, 螺母镀锌
Other Data	他の情報	其他信息			
PCB Hole Diameter	PCB取付穴径	PCB板孔径	φ10.4*2.9mm		

HOW TO ORDER 製品型番 订货方法

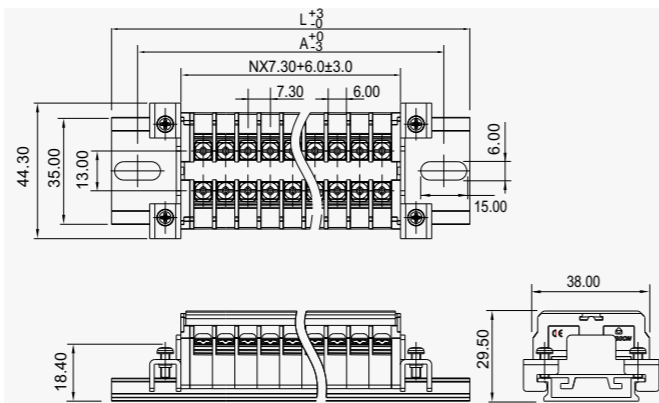
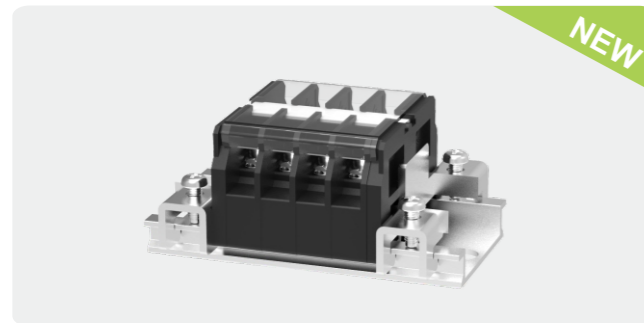


Electrical	電気性能	电气性能	UL1059 & CSA C22.2 NO.158		
Standard	安全規格	参考标准			
Use group	使用レベル	使用级别	B	C	D
Rated voltage	定格電圧	额定电压	600V	600V	600V
Rated current	定格電流	额定电流	130A	130A	5A
Wire range	電線径	导线线径	20-2AWG		
Ring/Fork terminals	裸圧着端子	铜管端子	2.5-35mm ²		
Withstanding voltage	耐電圧	耐电压	AC2200V/1Min		
Insulation Resistance	絶縁阻抗	绝缘阻抗	500MQ/DC500V		
Mechanical	機械性能	机械性能			
Torque Value	ネジ締付トルク	锁紧扭力	3.5N.m (31.0Lb.In)		
Ambient temperature	環境温度	环境温度	-40°C~+120°C		
Stripping length	電線剥き長	剥线长度	10-12mm		
Dimensions	寸法	尺寸			
Pitch	ピッチ	间距	25.5mm(1.00")		
Poles	極数	极数	2P-11P		
Material	材質及びメッキ	材质及电镀			
Housing	本体	塑件	PC, UL94V-0		
Terminal	導電板	端子	Copper alloy, Tin Plated	銅合金, 錫メッキ	铜合金, 镀锡
Screws	結線ビス	螺丝	Steel, Cr ²⁺ Zn Plated	鋼, 亜鉛メッキ	钢, 镀锌
Other Data	他の情報	其他信息			
PCB Hole Diameter	PCB取付穴径	PCB板孔径	-		

HOW TO ORDER 製品型番 订货方法



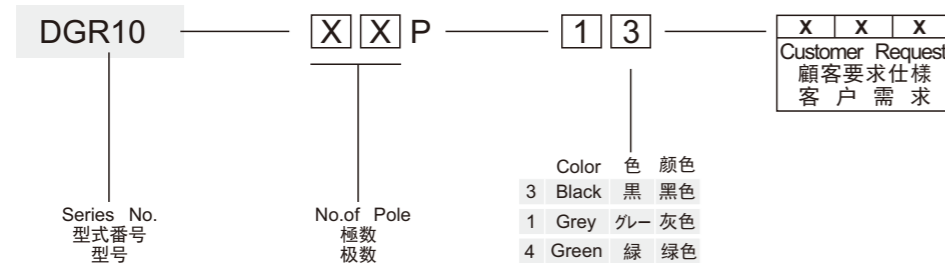
DGR10



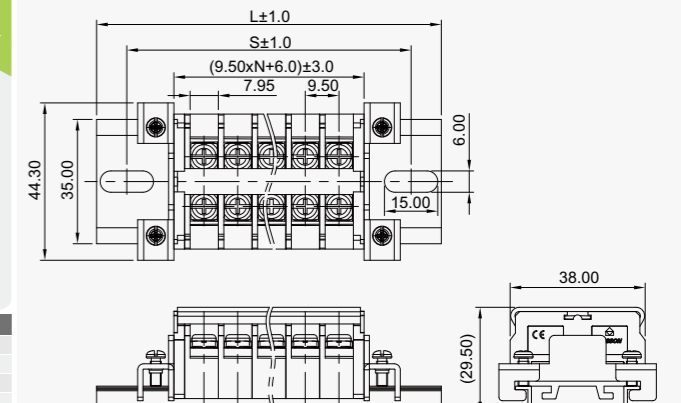
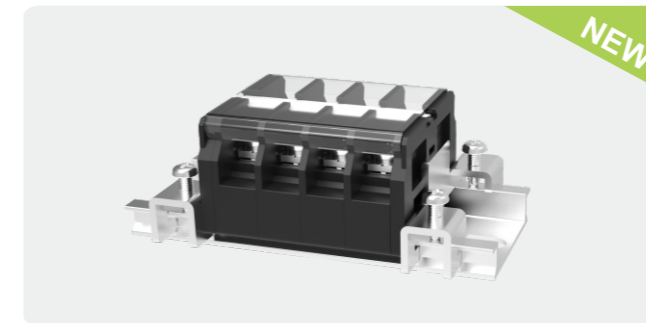
Product model	Pcs./Pkt.	Product model	Pcs./Pkt.
DGR10-01P	192	DGR10-10P	48
DGR10-02P	192	DGR10-11P	48
DGR10-03P	192	DGR10-12P	48
DGR10-04P	144	DGR10-13P	48
DGR10-05P	144	DGR10-14P	48
DGR10-06P	96	DGR10-15P	48
DGR10-07P	96	DGR10-16P	48
DGR10-08P	48	DGR10-33P	18
DGR10-09P	48		

Electrical	電気性能	电气性能	UL1059 & CSA C22.2 NO.158		
Standard	安全規格	参考标准	UL1059 & CSA C22.2 NO.158		
Use group	使用レベル	使用级别	B	C	D
Rated voltage	定格電圧	额定电压	600V	600V	600V
Rated current	定格電流	额定电流	10A	10A	5A
Wire range	電線径	导线线径	24-16AWG		
Ring/Fork terminals	○ □ 丸型圧着端子 □ □ 先開型圧着端子	○ □ 预绝缘端子 □ □ 预绝缘端子	24-16AWG		
Withstanding voltage	耐電圧	耐电压	AC2200V/1Min		
Insulation Resistance	絶縁抵抗	绝缘阻抗	500MΩ/DC500V		
Mechanical	機械性能	机械性能			
Torque Value	ネジ締めトルク	锁紧扭力	0.5N.m (4.38Lb.In)		
Ambient temperature	環境温度	环境温度	-40°C~+125°C		
Stripping length	電線剥き長	剥线长度	10-12		
Dimensions	寸法	尺寸			
Pitch	ピッチ	间距	7.3mm(.287")		
Poles	極数	极数	01-21P		
Material	材質及びメッキ	材质及电镀			
Cover	カバー	盖板	PC, UL94V-2		
Housing	本体	塑件	PC, UL94V-0		
Side Cover	側カバー	侧盖	PC, UL94V-0		
Marker	標識マーカー	标记条	PVC, V-2		
Terminal	導電板	端子	Copper alloy, Ni Plated	銅合金, ニッケルメッキ	铜合金, 鍍镍
DIN Rail	DINレール	轨道条	Aluminum	アルミニウム	铝
Fastener	ブラケット	固定件	Steel, Cr ³⁺ Zn Plated	鋼, 亜鉛メッキ	钢, 镀锌
Screws	結線ビス	螺丝	Steel, Cr ³⁺ Zn Plated	鋼, 亜鉛メッキ	钢, 镀锌
Other Data	他の情報	其他信息			
PCB Hole Diameter	PCB取付穴径	PCB板孔径	-		

HOW TO ORDER 製品型番 订货方法



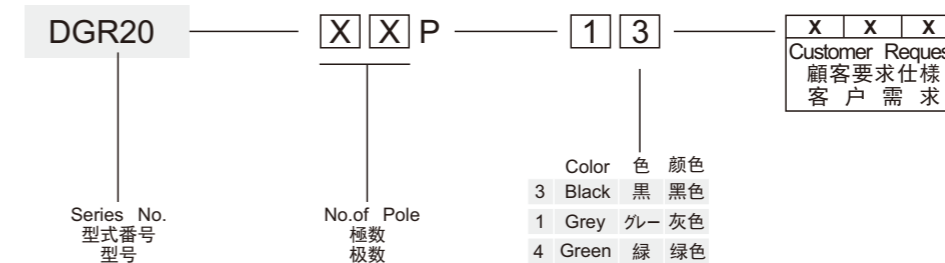
DGR20



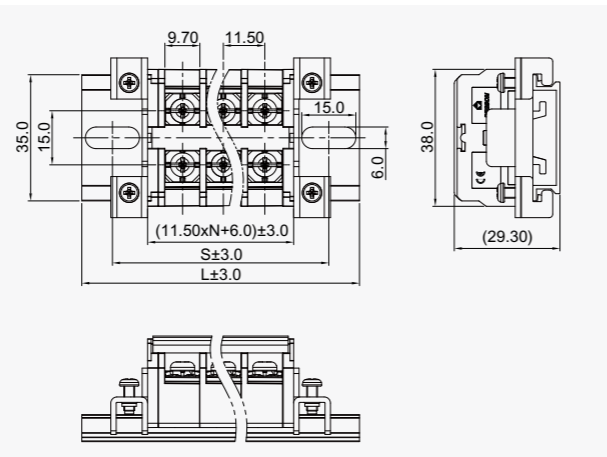
Product model	Pcs./Pkt.	Product model	Pcs./Pkt.
DGR20-01P	1600	DGR20-09P	60
DGR20-02P	1600	DGR20-10P	60
DGR20-03P	140	DGR20-12P	60
DGR20-04P	140	DGR20-13P	60
DGR20-05P	120	DGR20-14P	40
DGR20-06P	120	DGR20-16P	40
DGR20-07P	80	DGR20-20P	40
DGR20-08P	80	DGR20-22P	40

Electrical	電気性能	电气性能	UL1059 & CSA C22.2 NO.158		
Standard	安全規格	参考标准	UL1059 & CSA C22.2 NO.158		
Use group	使用レベル	使用级别	B	C	D
Rated voltage	定格電圧	额定电压	600V	600V	600V
Rated current	定格電流	额定电流	20A	20A	5A
Wire range	電線径	导线线径	24-12AWG		
Ring/Fork terminals	○ □ 丸型圧着端子 □ □ 先開型圧着端子	○ □ 预绝缘端子 □ □ 预绝缘端子	24-12AWG		
Withstanding voltage	耐電圧	耐电压	AC2200V/1Min		
Insulation Resistance	絶縁抵抗	绝缘阻抗	500MΩ/DC500V		
Mechanical	機械性能	机械性能			
Torque Value	ネジ締めトルク	锁紧扭力	0.8N.m (7.01Lb.In)		
Ambient temperature	環境温度	环境温度	-40°C~+125°C		
Stripping length	電線剥き長	剥线长度	10-12		
Dimensions	寸法	尺寸			
Pitch	ピッチ	间距	9.5mm(.373")		
Poles	極数	极数	01-21P		
Material	材質及びメッキ	材质及电镀			
Cover	カバー	盖板	PC, UL94V-2		
Housing	本体	塑件	PC, UL94V-0		
Side Cover	側カバー	侧盖	PC, UL94V-0		
Marker	標識マーカー	标记条	PVC, V-2		
Terminal	導電板	端子	Copper alloy, Ni Plated	銅合金, ニッケルメッキ	铜合金, 鍍镍
DIN Rail	DINレール	轨道条	Aluminum	アルミニウム	铝
Fastener	ブラケット	固定件	Steel, Cr ³⁺ Zn Plated	鋼, 亜鉛メッキ	钢, 镀锌
Screws	結線ビス	螺丝	Steel, Cr ³⁺ Zn Plated	鋼, 亜鉛メッキ	钢, 镀锌
Other Data	他の情報	其他信息			
PCB Hole Diameter	PCB取付穴径	PCB板孔径	-		

HOW TO ORDER 製品型番 订货方法



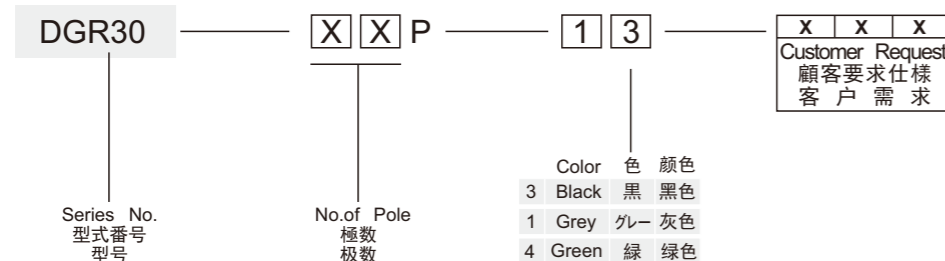
DGR30



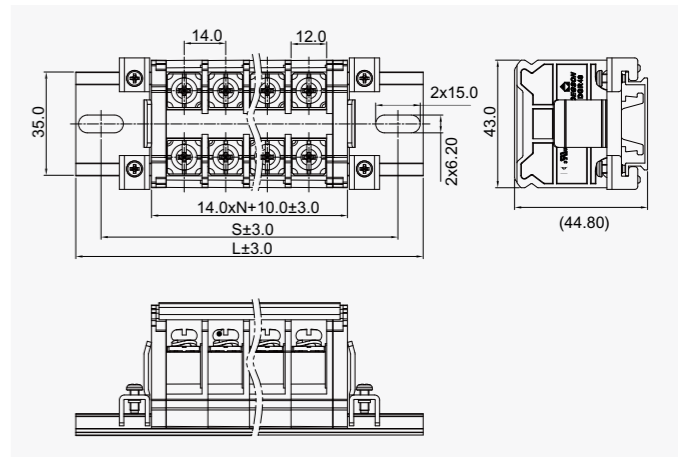
Product model	Pcs./Pkt.	Product model	Pcs./Pkt.
DGR30-01P	216	DGR30-09P	72
DGR30-02P	144	DGR30-10P	72
DGR30-03P	144	DGR30-11P	60
DGR30-04P	120	DGR30-12P	60
DGR30-05P	120	DGR30-13P	60
DGR30-06P	96	DGR30-14P	60
DGR30-07P	96	DGR30-15P	60
DGR30-08P	72	DGR30-16P	48

Electrical	電気性能	电气性能	UL1059 & CSA C22.2 NO.158		
Standard	安全規格	参考标准			
Use group	使用レベル	使用级别	B	C	D
Rated voltage	定格電圧	额定电压	600V	600V	600V
Rated current	定格電流	额定电流	30A	30A	5A
Wire range	電線径	导线线径	20-10AWG		
Ring/Fork terminals	丸型圧着端子 先開型圧着端子	预绝缘端子	20-10AWG		
Withstanding voltage	耐電圧	耐电压	AC2200V/1Min		
Insulation Resistance	絶縁抵抗	绝缘阻抗	500MΩ/DC500V		
Mechanical	機械性能	机械性能			
Torque Value	ネジ締付トルク	锁紧扭力	1. 2N.m (10. 51Lb.In)		
Ambient temperature	环境温度	环境温度	-40°C~+125°C		
Stripping length	電線剥き長	剥线长度	10-12		
Dimensions	寸法	尺寸			
Pitch	ピッチ	间距	11. 5mm(.452")		
Poles	極数	极数	01-21P		
Material	材質及びメッキ	材质及电镀			
Cover	カバー	盖板	PC, UL94V-2		
Housing	本体	塑件	PC, UL94V-0		
Side Cover	側カバー	侧盖	PC, UL94V-0		
Marker	標識マーカー	标记条	PVC, V-2		
Terminal	導電板	端子	Copper alloy,Ni Plated	銅合金,ニッケルメッキ	铜合金,鍍镍
DIN Rail	DINレール	轨道条	Aluminum	アルミニウム	铝
Fastener	ブラケット	固定件	Steel,Cr ³⁺ zn Plated	鋼,亜鉛メッキ	钢, 镀锌
Screws	結線ビス	螺丝	Steel,Cr ³⁺ zn Plated	鋼,亜鉛メッキ	钢, 镀锌
Other Data	他の情報	其他信息			
PCB Hole Diameter	PCB取付穴径	PCB板孔径	-		

HOW TO ORDER 製品型番 订货方法



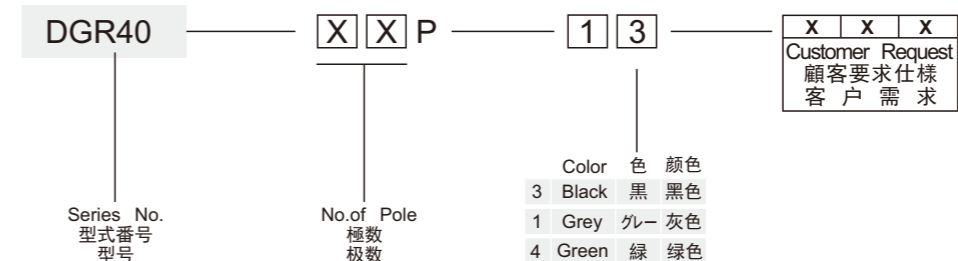
DGR40



Product model	Pcs./Pkt.	Product model	Pcs./Pkt.
DGR40-01P	36	DGR40-09P	24
DGR40-02P	36	DGR40-10P	24
DGR40-03P	36	DGR40-11P	12
DGR40-04P	24	DGR40-12P	12
DGR40-05P	24	DGR40-13P	12
DGR40-06P	24	DGR40-14P	12
DGR40-07P	24	DGR40-15P	12
DGR40-08P	24	DGR40-16P	12

Electrical	電気性能	电气性能	UL1059 & CSA C22.2 NO.158		
Standard	安全規格	参考标准			
Use group	使用レベル	使用级别	B	C	D
Rated voltage	定格電圧	额定电压	600V	600V	600V
Rated current	定格電流	额定电流	60A	60A	5A
Wire range	電線径	导线线径	22-6AWG		
Ring/Fork terminals	丸型圧着端子 先開型圧着端子	预绝缘端子	22-6AWG		
Withstanding voltage	耐電圧	耐电压	AC2200V/1Min		
Insulation Resistance	絶縁抵抗	绝缘阻抗	500MΩ/DC500V		
Mechanical	機械性能	机械性能			
Torque Value	ネジ締付トルク	锁紧扭力	2. 9N.m (25. 38Lb.In)		
Ambient temperature	环境温度	环境温度	-40°C~+125°C		
Stripping length	電線剥き長	剥线长度	10-12		
Dimensions	寸法	尺寸			
Pitch	ピッチ	间距	14mm(.550")		
Poles	極数	极数	01-16P		
Material	材質及びメッキ	材质及电镀			
Cover	カバー	盖板	PC, UL94V-2		
Housing	本体	塑件	PC, UL94V-0		
Side Cover	側カバー	侧盖	PC, UL94V-0		
Marker	標識マーカー	标记条	PVC, V-2		
Terminal	導電板	端子	Copper alloy,Ni Plated	銅合金,ニッケルメッキ	铜合金,鍍镍
DIN Rail	DINレール	轨道条	Aluminum	アルミニウム	铝
Fastener	ブラケット	固定件	Steel,Cr ³⁺ zn Plated	鋼,亜鉛メッキ	钢, 镀锌
Screws	結線ビス	螺丝	Steel,Cr ³⁺ zn Plated	鋼,亜鉛メッキ	钢, 镀锌
Other Data	他の情報	其他信息			
PCB Hole Diameter	PCB取付穴径	PCB板孔径	-		

HOW TO ORDER 製品型番 订货方法

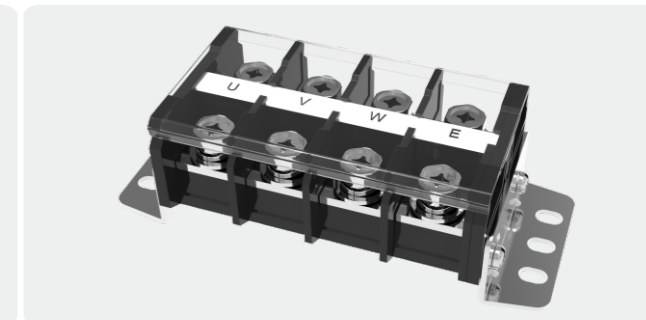
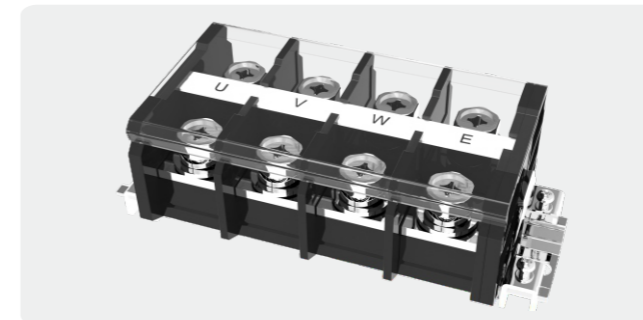
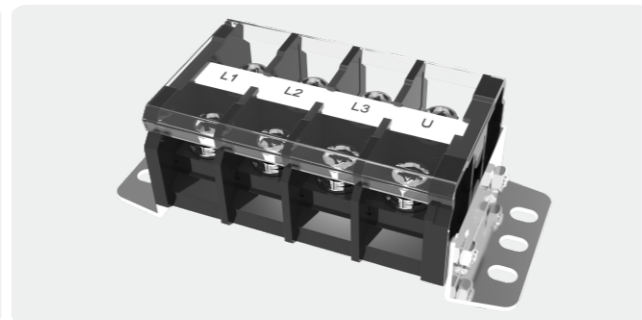
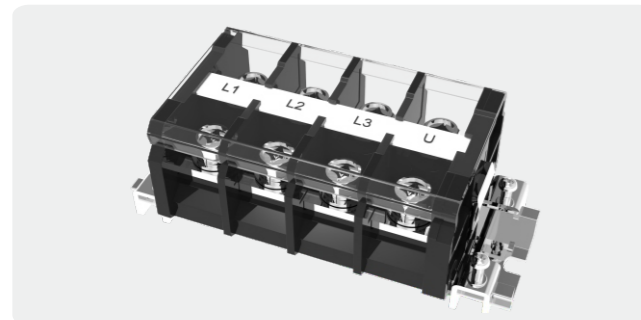


DGR60-00A

DGR60-20A

DGR100-00A

DGR100-20A



Product model	Pcs./Pkt.	Product model	Pcs./Pkt.
DGR60-02P	7	DGR60-08P	2
DGR60-03P	4	DGR60-09P	2
DGR60-04P	4	DGR60-10P	2
DGR60-05P	4	DGR60-11P	2
DGR60-06P	2	DGR60-12P	2
DGR60-07P	2		

Product model	Pcs./Pkt.	Product model	Pcs./Pkt.
DGR60-02P	6	DGR60-08P	2
DGR60-03P	3	DGR60-09P	2
DGR60-04P	4	DGR60-10P	2
DGR60-05P	2	DGR60-11P	2
DGR60-06P	2	DGR60-12P	2
DGR60-07P	2		

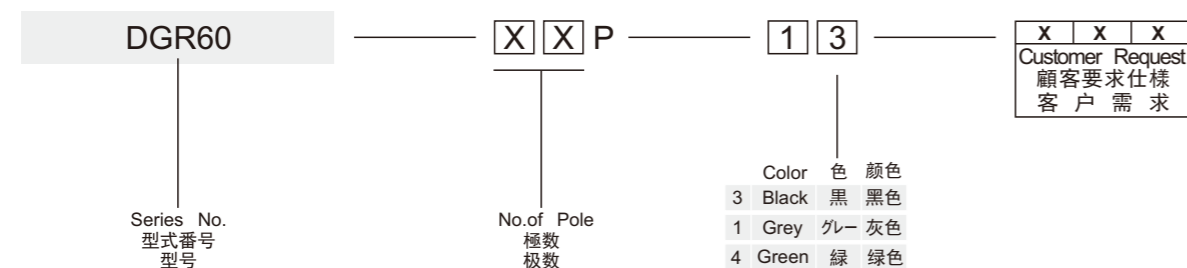
Product model	Pcs./Pkt.	Product model	Pcs./Pkt.
DGR100-02P	3	DGR100-08P	2
DGR100-03P	3	DGR100-09P	1
DGR100-04P	2	DGR100-10P	1
DGR100-05P	2	DGR100-11P	1
DGR100-06P	2	DGR100-12P	1
DGR100-07P	2		

Product model	Pcs./Pkt.	Product model	Pcs./Pkt.
DGR100-02P	3	DGR100-08P	2
DGR100-03P	3	DGR100-09P	1
DGR100-04P	2	DGR100-10P	1
DGR100-05P	2	DGR100-11P	1
DGR100-06P	2	DGR100-12P	1
DGR100-07P	2		



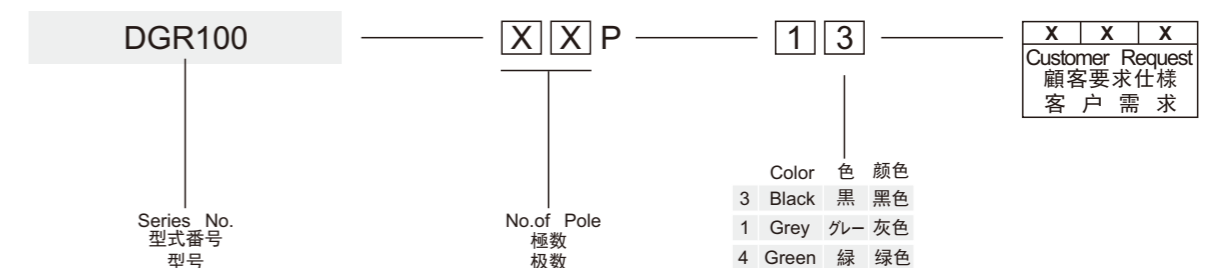
Electrical	電気性能	电气性能	UL1059 & CSA C22.2 NO.158		
Standard	安全規格	参考标准	UL1059 & CSA C22.2 NO.158		
Use group	使用レベル	使用级别	B	C	D
Rated voltage	定格電圧	额定电压	600V	600V	600V
Rated current	定格電流	额定电流	80A	80A	5A
Wire range	電線径	导线线径	20-4AWG		
Ring/Fork terminals	裸圧着端子	銅管端子	□ 2.5-25mm ²		
Withstanding voltage	耐電圧	耐电压	AC2200V/1Min		
Insulation Resistance	絶縁阻抗	绝缘阻抗	500MΩ/DC500V		
Mechanical	機械性能	机械性能	2.5N.m (22.15Lb.In)		
Torque Value	ネジ締付トルク	锁紧扭力	2.5N.m (22.15Lb.In)		
Ambient temperature	環境温度	环境温度	-40°C~+120°C		
Stripping length	電線剥き長	剥线长度	12-15mm		
Dimensions	寸法	尺寸	19.0mm(.748")		
Pitch	ピッチ	间距	19.0mm(.748")		
Poles	極数	极数	1P-XXP		
Material	材質及びメッキ	材质及电镀	PC, UL94V-0		
Housing	本体	塑件	PC, UL94V-0		
Terminal	導電板	端子	Copper alloy, Ni Plated	銅合金, ニッケルメッキ	銅合金, 鍍镍
Screws	結線ビス	螺丝	Steel, Cr ³⁺ Zn Plated	鋼, 亜鉛メッキ	鋼, 镀锌
Other Data	他の情報	其他信息	-		
PCB Hole Diameter	PCB取付穴径	PCB板孔径	-		

HOW TO ORDER 製品型番 订货方法



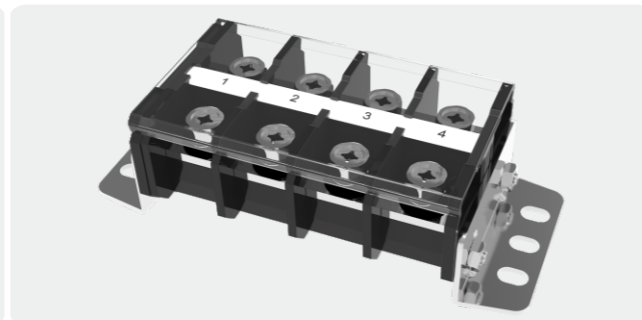
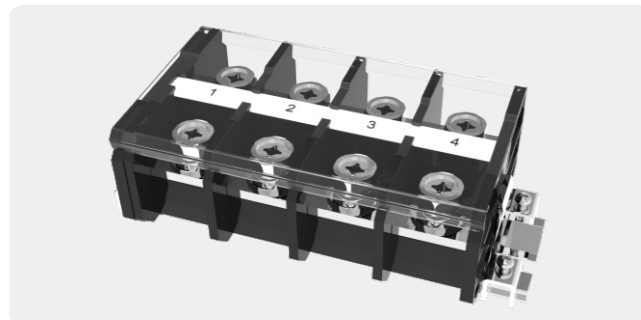
Electrical	電気性能	电气性能	UL1059 & CSA C22.2 NO.158		
Standard	安全規格	参考标准	UL1059 & CSA C22.2 NO.158		
Use group	使用レベル	使用级别	B	C	D
Rated voltage	定格電圧	额定电压	600V	600V	600V
Rated current	定格電流	额定电流	130A	130A	5A
Wire range	電線径	导线线径	1-20AWG		
Ring/Fork terminals	裸圧着端子	銅管端子	□ 6.0-35mm ²		
Withstanding voltage	耐電圧	耐电压	AC2200V/1Min		
Insulation Resistance	絶縁阻抗	绝缘阻抗	500MΩ/DC500V		
Mechanical	機械性能	机械性能	3.5N.m (31.0Lb.In)		
Torque Value	ネジ締付トルク	锁紧扭力	3.5N.m (31.0Lb.In)		
Ambient temperature	環境温度	环境温度	-40°C~+125°C		
Stripping length	電線剥き長	剥线长度	10-12mm		
Dimensions	寸法	尺寸	25.0mm(.984")		
Pitch	ピッチ	间距	25.0mm(.984")		
Poles	極数	极数	1P-XXP		
Material	材質及びメッキ	材质及电镀	PC, UL94V-0		
Housing	本体	塑件	PC, UL94V-0		
Terminal	導電板	端子	Copper alloy, 3.0t, Ni Plated	銅合金, ニッケルメッキ	銅合金, 3.0 厚, 鍍镍
Screws	結線ビス	螺丝	Steel, Cr ³⁺ Zn Plated	鋼, 亜鉛メッキ	鋼, 镀锌
Other Data	他の情報	其他信息	-		
PCB Hole Diameter	PCB取付穴径	PCB板孔径	-		

HOW TO ORDER 製品型番 订货方法



DGR150-00A

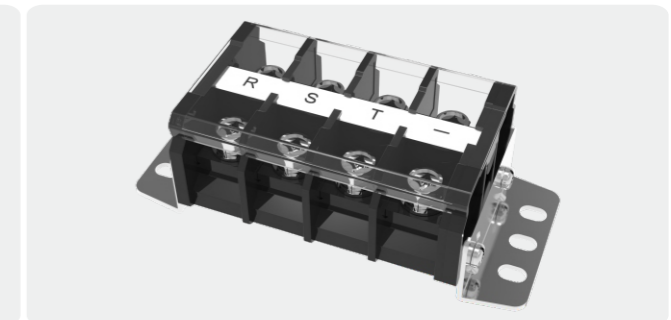
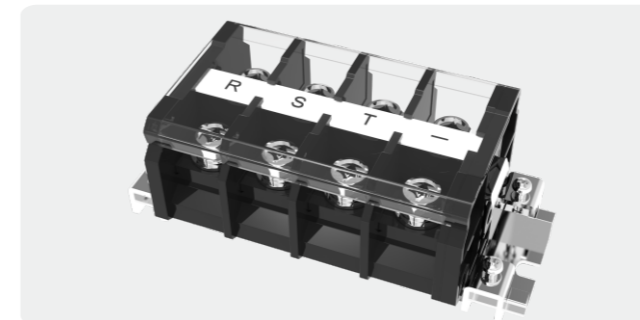
DGR150-20A



Product model	Pcs./Pkt.	Product model	Pcs./Pkt.	Product model	Pcs./Pkt.	Product model	Pcs./Pkt.
DGR150-02P	2	DGR150-08P	1	DGR150-02P	12	DGR150-08P	1
DGR150-03P	2	DGR150-09P	1	DGR150-03P	2	DGR150-09P	1
DGR150-04P	2	DGR150-10P	1	DGR150-04P	2	DGR150-10P	1
DGR150-05P	2	DGR150-11P	1	DGR150-05P	1	DGR150-11P	1
DGR150-06P	1	DGR150-12P	1	DGR150-06P	1	DGR150-12P	1
DGR150-07P	1			DGR150-07P	1		

DGR200-00A

DGR200-20A

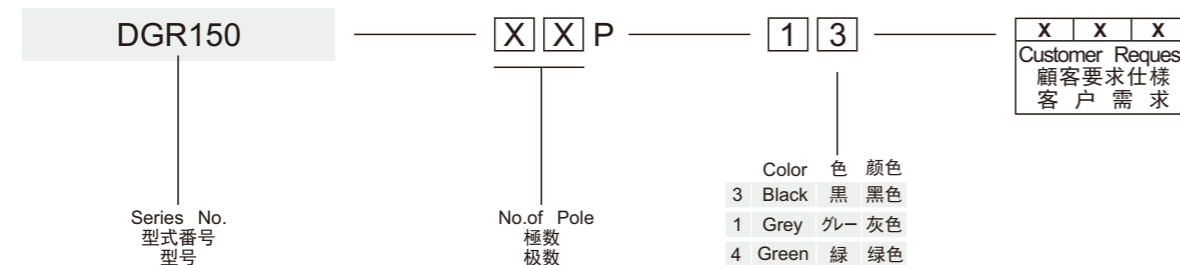


Product model	Pcs./Pkt.	Product model	Pcs./Pkt.	Product model	Pcs./Pkt.	Product model	Pcs./Pkt.
DGR200-02P	4	DGR200-08P	1	DGR200-02P	4	DGR200-08P	1
DGR200-03P	3	DGR200-09P	1	DGR200-03P	3	DGR200-09P	1
DGR200-04P	2	DGR200-10P	1	DGR200-04P	2	DGR200-10P	1
DGR200-05P	2	DGR200-11P	1	DGR200-05P	2	DGR200-11P	1
DGR200-06P	1	DGR200-12P	1	DGR200-06P	1	DGR200-12P	1
DGR200-07P	1			DGR200-07P	1		



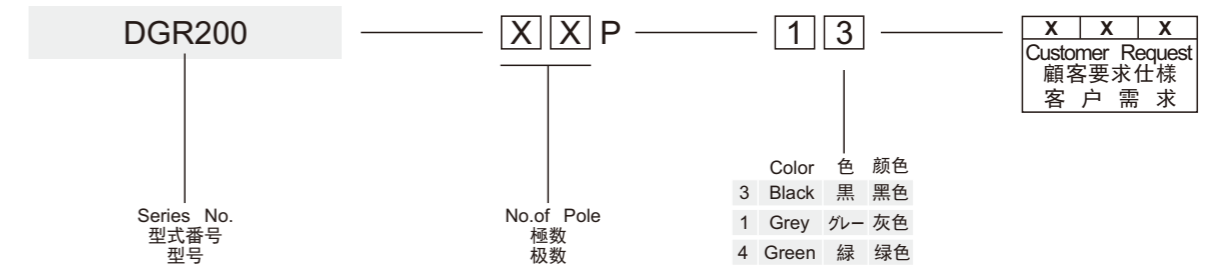
Electrical	電気性能	电气性能	UL1059 & CSA C22.2 NO.158		
Standard	安全規格	参考标准	UL1059 & CSA C22.2 NO.158		
Use group	使用レベル	使用级别	B	C	D
Rated voltage	定格電圧	额定电压	600V	600V	600V
Rated current	定格電流	额定电流	155A	155A	5A
Wire range	電線径	导线线径	20-2/0AWG		
Ring/Fork terminals	裸圧着端子	銅管端子	φ□ 6.0-70mm ²		
Withstanding voltage	耐電圧	耐电压	AC2200V/1Min		
Insulation Resistance	絶縁阻抗	绝缘阻抗	500MΩ/DC500V		
Mechanical	機械性能	机械性能			
Torque Value	ネジ締付トルク	锁紧扭力	3.5N.m (31.0Lb.In)		
Ambient temperature	環境温度	环境温度	-40°C~+120°C		
Stripping length	電線剥き長	剥线长度	12-14mm		
Dimensions	寸法	尺寸			
Pitch	ピッチ	间距	27.0mm(1.06")		
Poles	極数	极数	1P-XXP		
Material	材質及びメッキ	材质及电镀			
Housing	本体	塑件	PC, UL94V-0		
Terminal	導電板	端子	Copper alloy, Ni Plated	銅合金, ニッケルメッキ	銅合金, 鍍镍
Screws	結線ビス	螺丝	Steel, Cr ³⁺ zn Plated	鋼, 亜鉛メッキ	鋼, 鍍锌
Other Data	他の情報	其他信息			
PCB Hole Diameter	PCB取付穴径	PCB板孔径	-		

HOW TO ORDER 製品型番 订货方法



Electrical	電気性能	电气性能	UL1059 & CSA C22.2 NO.158		
Standard	安全規格	参考标准	UL1059 & CSA C22.2 NO.158		
Use group	使用レベル	使用级别	B	C	D
Rated voltage	定格電圧	额定电压	600V	600V	600V
Rated current	定格電流	额定电流	200A	200A	5A
Wire range	電線径	导线线径	20-4/0AWG		
Ring/Fork terminals	裸圧着端子	銅管端子	φ□ 6.0-95mm ²		
Withstanding voltage	耐電圧	耐电压	AC2200V/1Min		
Insulation Resistance	絶縁阻抗	绝缘阻抗	500MΩ/DC500V		
Mechanical	機械性能	机械性能			
Torque Value	ネジ締付トルク	锁紧扭力	4.0N.m (35.4Lb.In)		
Ambient temperature	環境温度	环境温度	-40°C~+120°C		
Stripping length	電線剥き長	剥线长度	14-18mm		
Dimensions	寸法	尺寸			
Pitch	ピッチ	间距	36.0mm(1.41")		
Poles	極数	极数	1P-XXP		
Material	材質及びメッキ	材质及电镀			
Housing	本体	塑件	PC, UL94V-0		
Terminal	導電板	端子	Copper alloy, Ni Plated	銅合金, 5.0厚, ニッケルメッキ	銅合金, 5.0厚, 鍍镍
Screws	結線ビス	螺丝	Steel, Cr ³⁺ zn Plated	鋼, 亜鉛メッキ	鋼, 鍍锌
Other Data	他の情報	其他信息			
PCB Hole Diameter	PCB取付穴径	PCB板孔径	-		

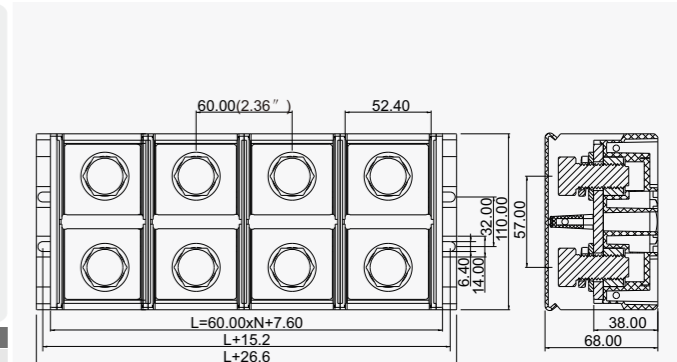
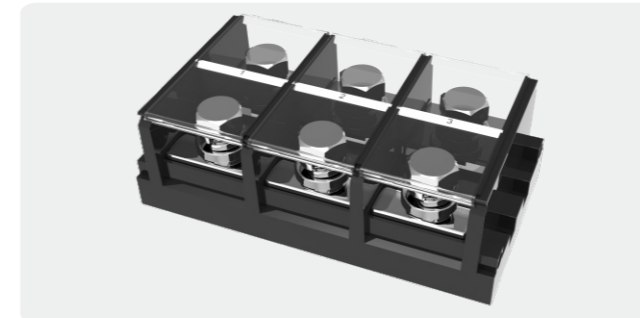
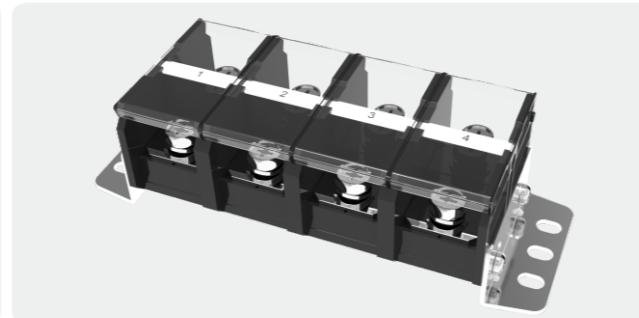
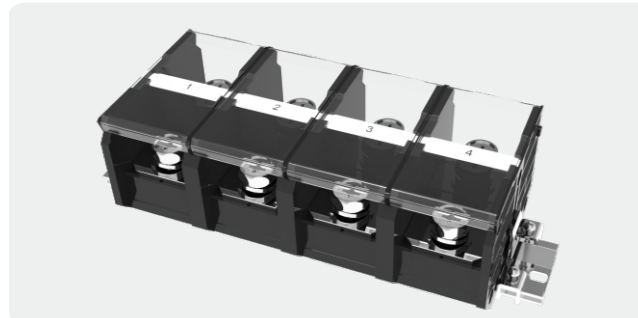
HOW TO ORDER 製品型番 订货方法



DGR300-00A

DGR300-20A

DGR500-00A



Product model	Pcs./Pkt.	Product model	Pcs./Pkt.
DGR300-02P	5	DGR300-08P	1
DGR300-03P	3	DGR300-09P	1
DGR300-04P	3	DGR300-10P	1
DGR300-05P	1	DGR300-11P	1
DGR300-06P	1	DGR300-12P	1
DGR300-07P	1		

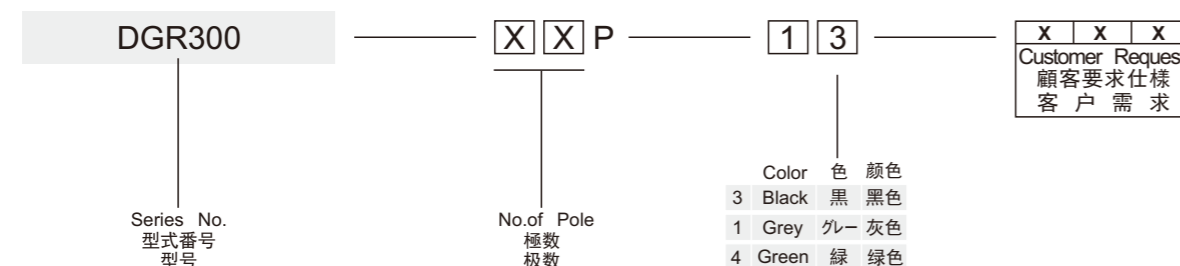
Product model	Pcs./Pkt.	Product model	Pcs./Pkt.
DGR300-02P	5	DGR300-08P	1
DGR300-03P	3	DGR300-09P	1
DGR300-04P	3	DGR300-10P	1
DGR300-05P	1	DGR300-11P	1
DGR300-06P	1	DGR300-12P	1
DGR300-07P	1		

Product model	Pcs./Pkt.	Product model	Pcs./Pkt.
DGR500-01P	2		
DGR500-02P	1		
DGR500-04P	2		

CE

Electrical	電気性能	电气性能	UL1059 & CSA C22.2 NO.158		
Standard	安全規格	参考标准			
Use group	使用レベル	使用级别	B	C	D
Rated voltage	定格電圧	额定电压	600V	600V	600V
Rated current	定格電流	额定电流	300A	300A	5A
Wire range	電線径	导线线径	20-300kcmil		
Ring/Fork terminals	裸圧着端子	銅管端子	25-150mm ²		
Withstanding voltage	耐電圧	耐电压	AC2200V/1Min		
Insulation Resistance	絶縁阻抗	绝缘阻抗	500MΩ/DC500V		
Mechanical	機械性能	机械性能			
Torque Value	ネジ締付トルク	锁紧扭力	4.0N.m (35.4Lb.In)		
Ambient temperature	環境温度	环境温度	-40°C~+125°C		
Stripping length	電線剥き長	剥线长度	19-21mm		
Dimensions	寸法	尺寸			
Pitch	ピッチ	间距	45.0mm(1.77'')		
Poles	極数	极数	1P-XXP		
Material	材質及びメッキ	材质及电镀			
Housing	本体	塑件	PC, UL94V-0		
Terminal	導電板	端子	Copper alloy, Ni Plated	銅合金, ニッケルメッキ	銅合金, 鍍镍
Screws	結線ビス	螺丝	Steel, Cr ³⁺ zn Plated	鋼, 亜鉛メッキ	鋼, 镀锌
Other Data	他の情報	其他信息			
PCB Hole Diameter	PCB取付穴径	PCB板孔径	-		

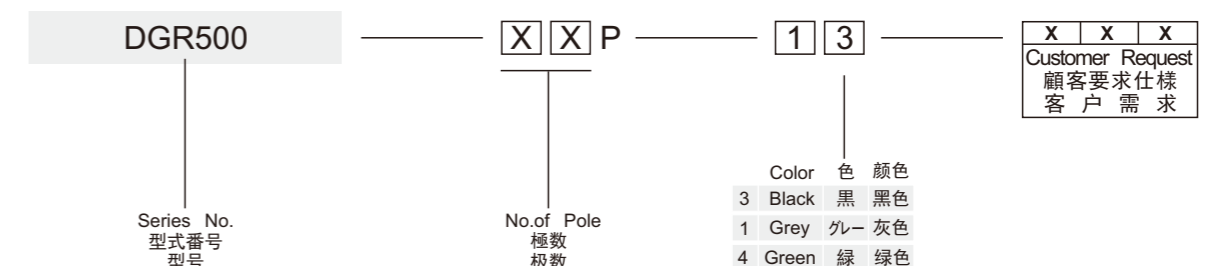
HOW TO ORDER 製品型番 订货方法



CE

Electrical	電気性能	电气性能	UL1059 & CSA C22.2 NO.158		
Standard	安全規格	参考标准			
Use group	使用レベル	使用级别	B	C	D
Rated voltage	定格電圧	额定电压	600V	600V	600V
Rated current	定格電流	额定电流	500A	500A	5A
Wire range	電線径	导线线径	20-750kcmil		
Ring/Fork terminals	裸圧着端子	预绝缘端子	70-300mm ²		
Withstanding voltage	耐電圧	耐电压	AC2200V/1Min		
Insulation Resistance	絶縁阻抗	绝缘阻抗	500MΩ/DC500V		
Mechanical	機械性能	机械性能			
Torque Value	ネジ締付トルク	锁紧扭力	23.1N.m (210.0Lb.In)		
Ambient temperature	環境温度	环境温度	-40°C~+120°C		
Stripping length	電線剥き長	剥线长度	30-35mm		
Dimensions	寸法	尺寸			
Pitch	ピッチ	间距	60.0mm(2.36'')		
Poles	極数	极数	1P-XXP		
Material	材質及びメッキ	材质及电镀			
Housing	本体	塑件	PC, UL94V-0		
Terminal	導電板	端子	Copper alloy, Ni Plated	銅合金, ニッケルメッキ	銅合金, 鍍镍
Screws	結線ビス	螺丝	Steel, Cr ³⁺ zn Plated	鋼, 亜鉛メッキ	鋼, 镀锌
Other Data	他の情報	其他信息			
PCB Hole Diameter	PCB取付穴径	PCB板孔径	-		

HOW TO ORDER 製品型番 订货方法





环境政策

DEGSON 高松认识到保护环境资源的重要性，并将其视为公司对社会应尽的义务，自觉满足产品的各项环保指标，为此我们制定以下环境战略方针：

- 1、满足客户需求，遵守国家和地方的法律、法规和其它环保要求。
- 2、环境保护为公司可持续发展的一项准则，坚持质量、效益和环保全面发展。
- 3、建立厂内废弃物管理，充分考虑在产品开发、生产、材料使用和废弃物处理等过程中可能影响环境的因素，提高企业内各场所的环境质量。
- 4、实施培训，全面提升全员的环境保护意识，实现环境管理体系和对环境保护能力的持续改进。
- 5、降耗节能，实现资源的充分利用。
- 6、向合作方及社会承诺为环境保护做出贡献。响应口号“人类只有一个地球”。
- 7、不断创新，开发新材料、新技术，制造节约型环保产品。

ENVIRONMENTAL POLICY

DEGSON realizes system regulation without lead in 2005 and has been granted ISO14001 in 2006. All the products conform to the European ROHS requirement.

DEGSON realizes the importance to protect environment resources, selfconsciously meets environment protection requirements for products and regards it as the responsibility. Thus, we have made the following environment strategic policy:

- 1、To meet customers' demands and obey the national and local laws and regulations as well as other environmental protection requirements.
- 2、Take environmental protection as one criterion for continuing development of our company. Insist on fully development of quality, benefit and environmental protection.
- 3、Fully considering the factors which will influence the environment in the processes of product development, manufacturing, material usage and waste processing, establish management system of waste in order to improve the environment of our company.
- 4、To increase the employees' consciousness of environmental protection through training and to realize the continuing improvement of environment management system and the ability of environmental protection.
- 5、To make full use of resources and to decrease consumption of material in order to save energy.
- 6、To promise to our partners and society that we will make contribution to environment protection. There is only one Earth for our humanity.
- 7、To strive for making conservation-oriented and environment-friendly products through continuous innovation and developing new materials and technology.

